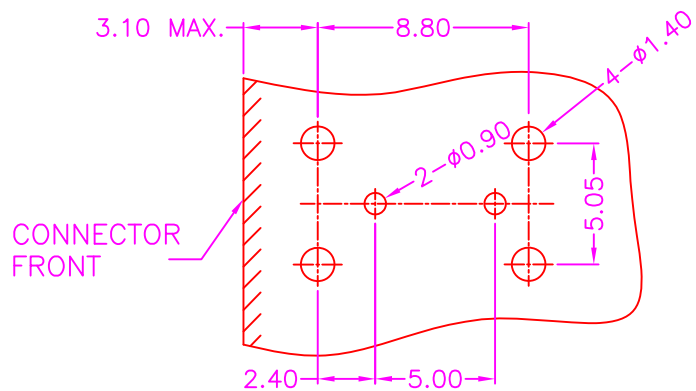
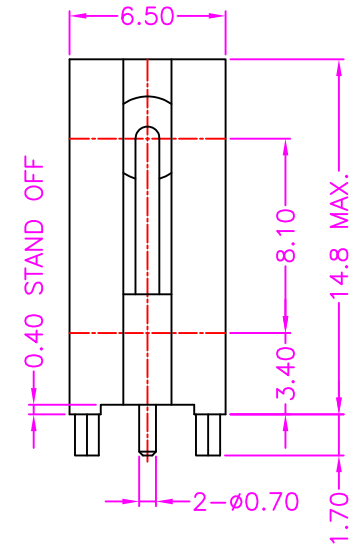
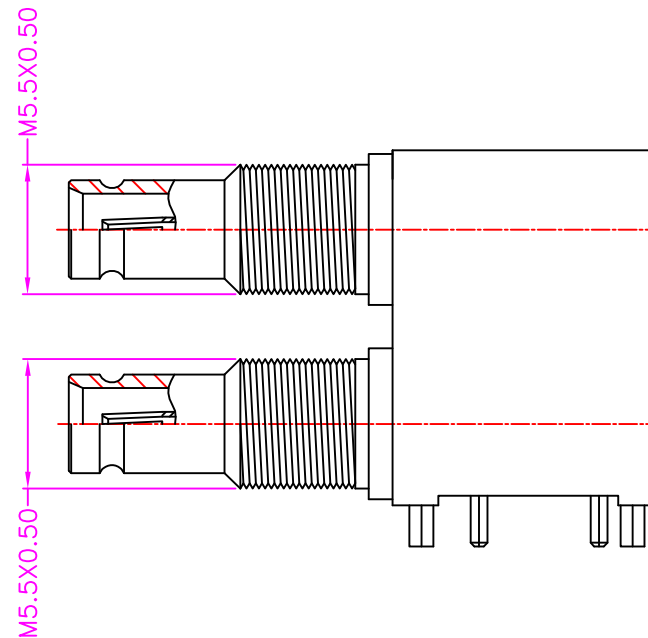
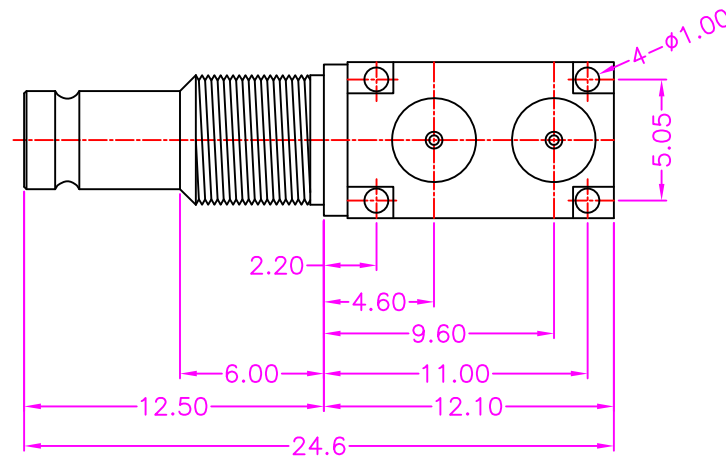


PANEL CUT OUT



CONNECTOR FRONT

P.C.B LAYOUT
TOP VIEW ±0.05



MATERIALS

HOUSING: COPPER ALLOY, GOLD PLATED
 INSULATOR: TEFLON (UL 94V-0), WHITE
 CENTER CONTACT: COPPER ALLOY, GOLD PLATED

INFORMATION

COMPATIBLE NUTS DRAWING NO:
 ZR13SE-001

PART NUMBER:

R13SE - 7 6 1 - 1 * 1

SERIES

75 OHM

PACKAGE OPTION

- 1: TRAY
- 2: TAPE REEL
- 4: BAG

10u" GOLD PLATING ON TERMINAL

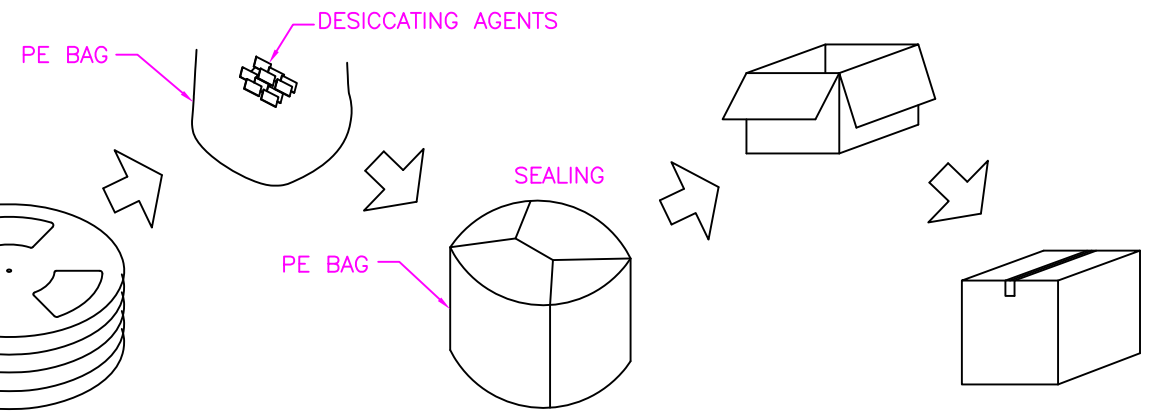
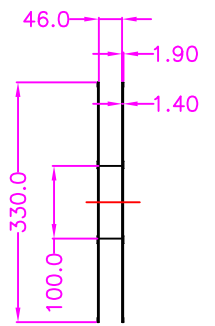
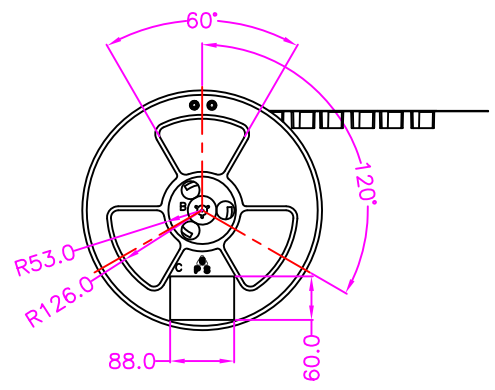
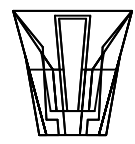
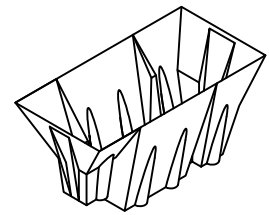
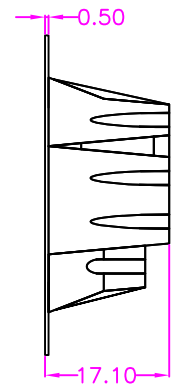
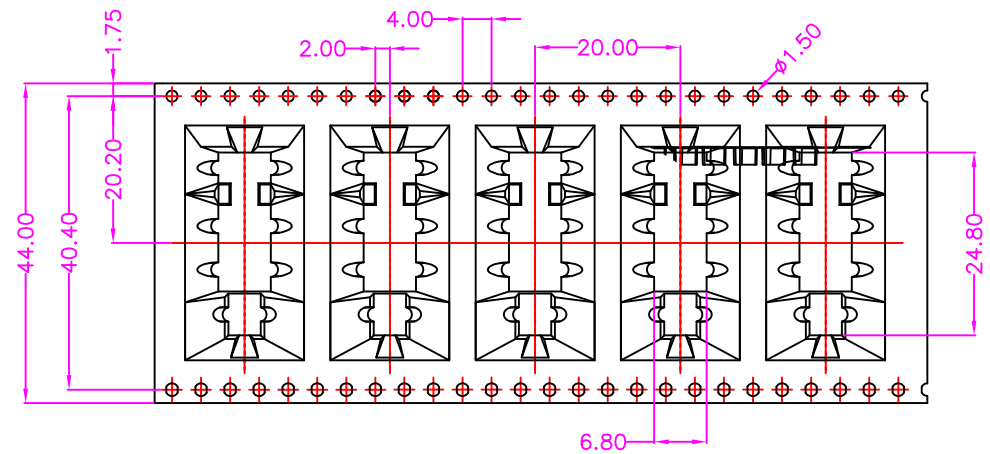
B	MODIFY NUT DRAW	2018.4.10
A	RELEASE	2017.11.24
REV.	DESCRIPTION	DATE



TOLERANCES

X.±0.40	.XX±0.20
.X±0.30	.XXX±0.10

REV.	B	DRAWN BY	Jeff 2018/4/10	TITLE	STACKED 2x1 DIN 1.0/2.3, 75 OHM, PCB MOUNT, R/A, WITH POST, FEMALE				
		APPROVED BY	Lion 2018/4/10	DRAW NO.	R13SE-001	UNIT	MM	Sheet	1/2



PACKAGE QUANTITY:
200PCS/ REEL, 600PCS/ 3 REEL/ CARTON

PACKAGING WORKFLOW:
WHEN PACKING, USE A WATERPROOF BAG
AS WELL AS DRY BAG AND SEAL IT WITH A SEALER



TOLERANCES	
X.±0.40	.XX±0.20
.X±0.30	.XXX±0.10

REV.	B	DRAWN BY	Jeff 2018/4/10	TITLE	STACKED 2x1 DIN 1.0/2.3, 75 OHM, PCB MOUNT, R/A, WITH POST, FEMALE				
		APPROVED BY	Lion 2018/4/10	DRAW NO.	R13SE-001	UNIT	MM	Sheet	2/2