

MATERIALS

METAL SHIELD: COPPER ALLOY
 SPRING: COPPER ALLOY

PART NUMBER:

FQ11PK - 0 C - 1 1

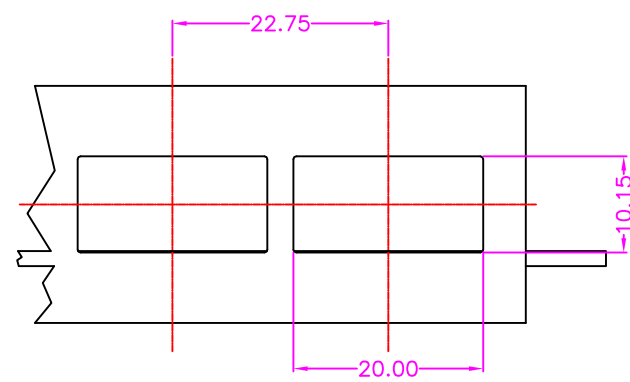
SERIES

TRAY PACKAGE



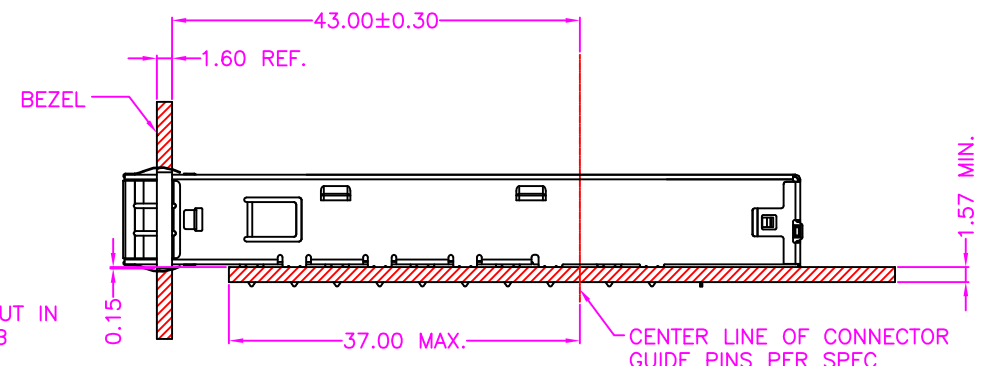
TOLERANCES	
X.±0.40	.XX±0.20
.X±0.30	.XXX±0.10

REV.	A	DRAWN BY	Kiki 2023/11/21	TITLE	QSFP DD CAGE, PCB MOUNT, R/A, METAL SHIELD, PRESS FIT TYPE WITH EMI SPRING				
		APPROVED BY	Lion 2023/11/21	DRAW NO.	FQ11PK-001	UNIT	MM	Sheet	1/4

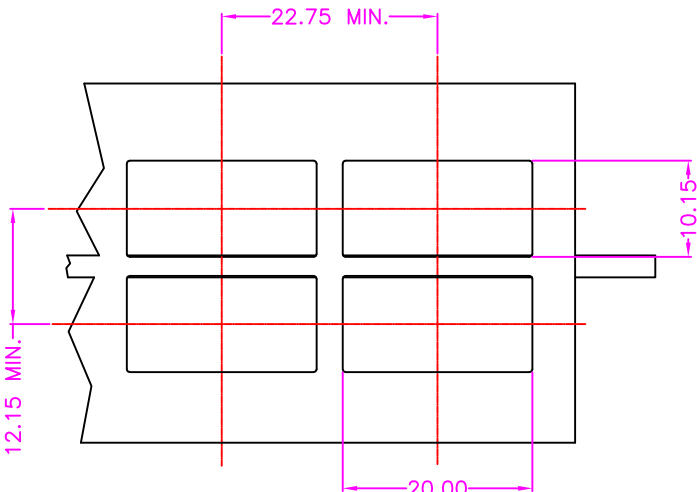


BOTTOM OF CUT OUT IN BEZEL TO TOP PCB

SINGLE

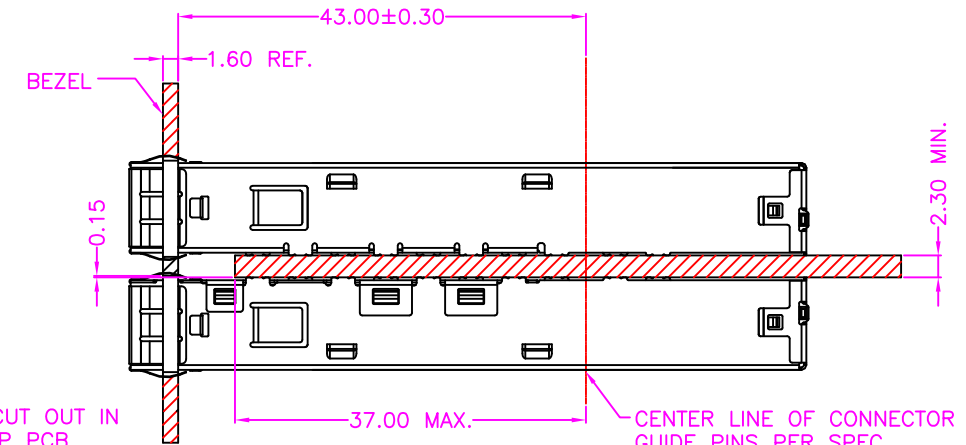


CENTER LINE OF CONNECTOR GUIDE PINS PER SPEC



BOTTOM OF CUT OUT IN BEZEL TO TOP PCB

BELLY TO BELLY

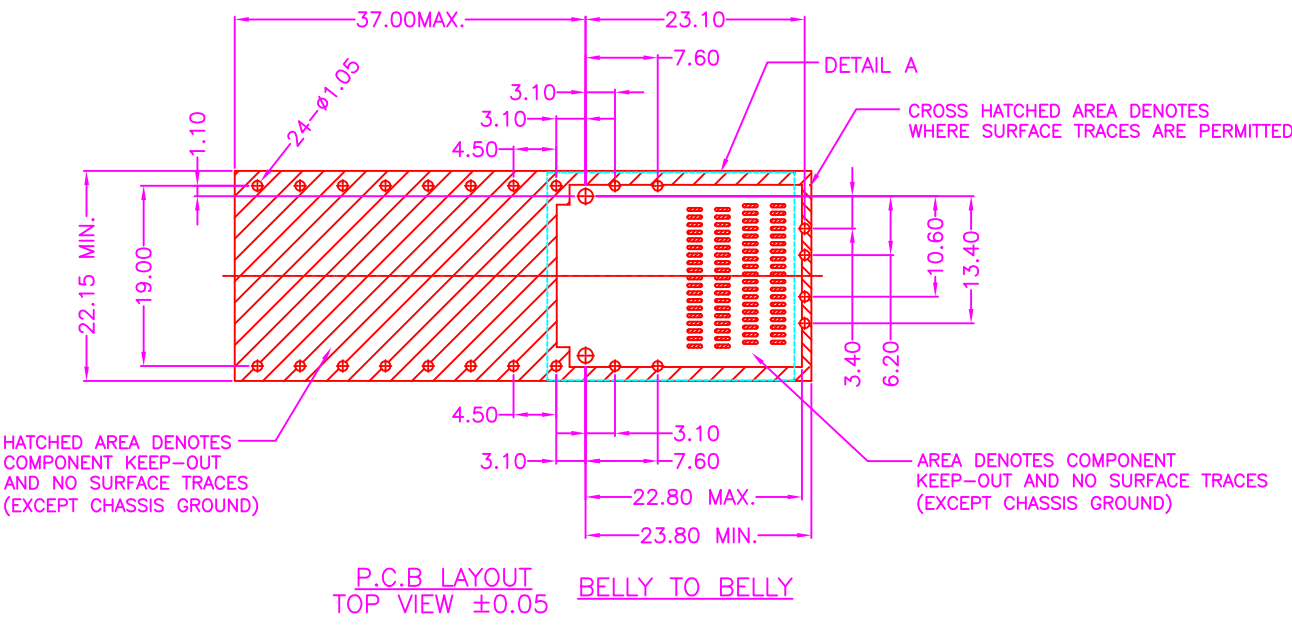
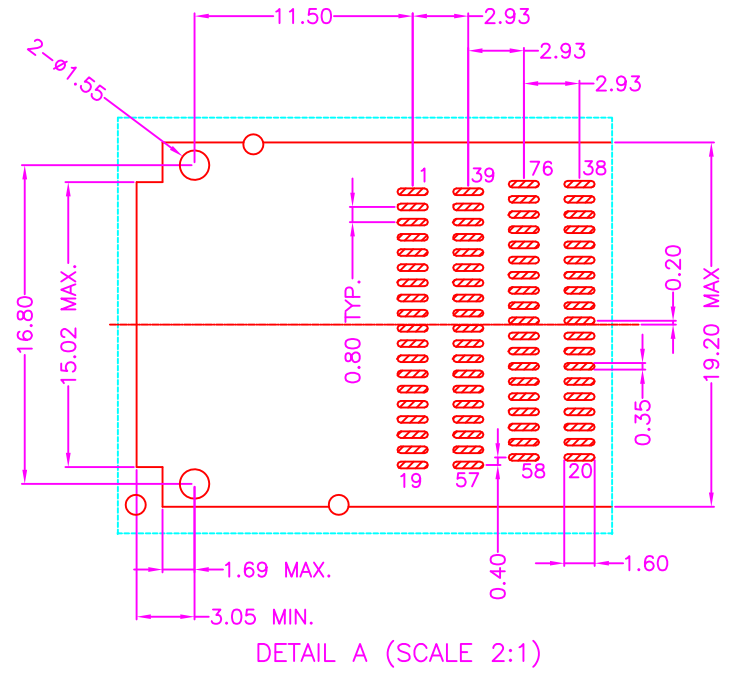
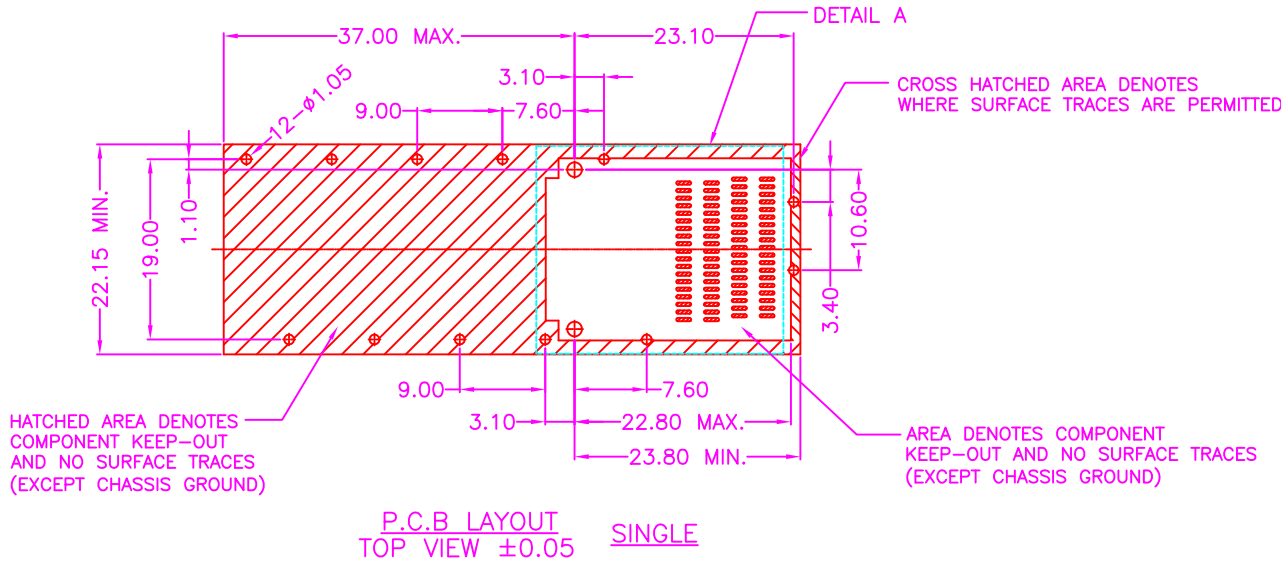


CENTER LINE OF CONNECTOR GUIDE PINS PER SPEC



TOLERANCES	
X.±0.40	.XX±0.20
.X±0.30	.XXX±0.10

REV.	A	DRAWN BY	Kiki 2023/11/21	TITLE	QSFP DD CAGE, PCB MOUNT, R/A, METAL SHIELD, PRESS FIT TYPE WITH EMI SPRING				
		APPROVED BY	Lion 2023/11/21	DRAW NO.	FQ11PK-001	UNIT	MM	Sheet	2/4



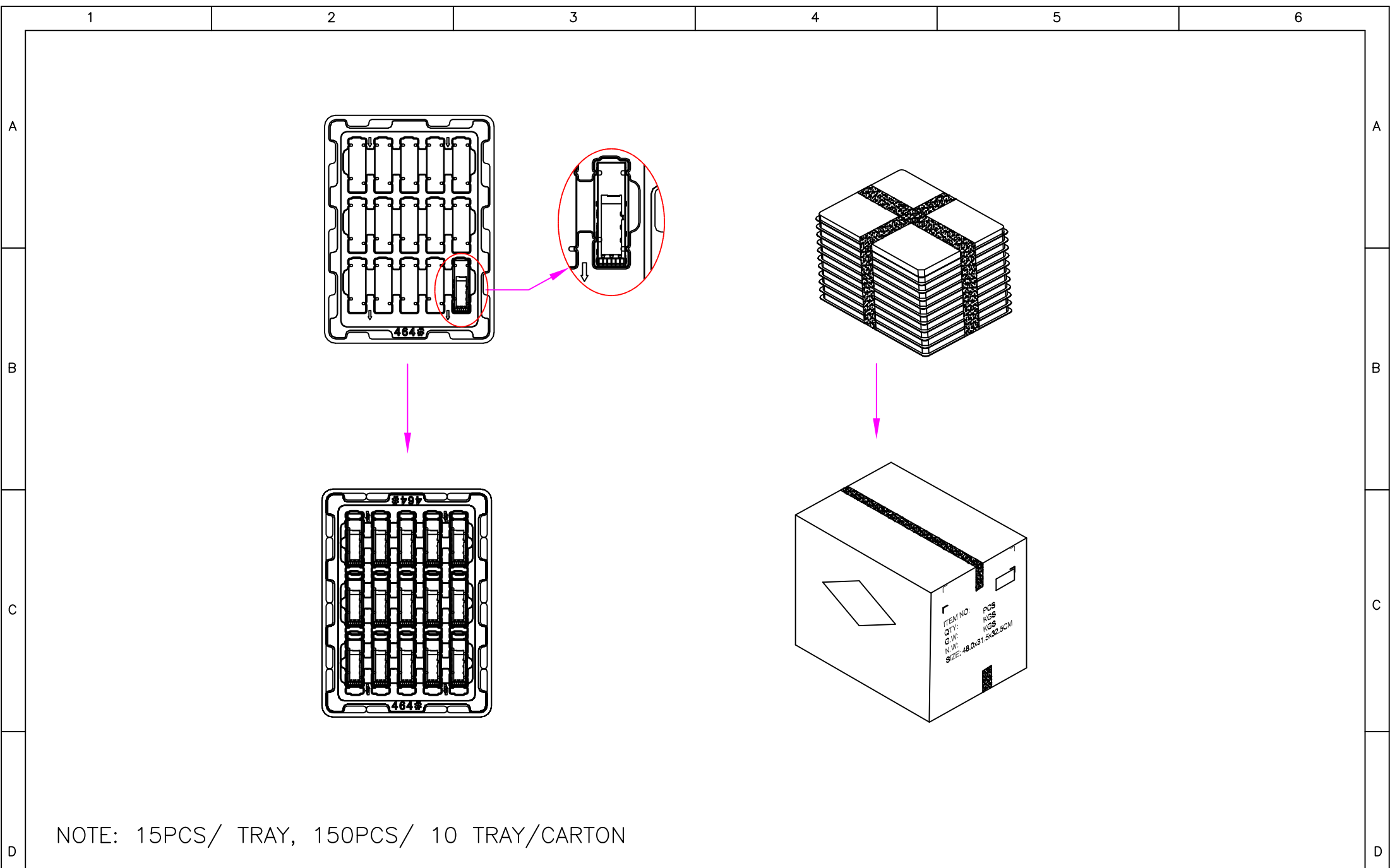
TOLERANCES	
X.±0.40	.XX±0.20
.X±0.30	.XXX±0.10

REV.	A

DRAWN BY	Kiki 2023/11/21
APPROVED BY	Lion 2023/11/21

TITLE	QSFQ DD CAGE, PCB MOUNT, R/A, METAL SHIELD, PRESS FIT TYPE WITH EMI SPRING
DRAW NO.	FQ11PK-001

UNIT	MM	Sheet	3/4
------	----	-------	-----



NOTE: 15PCS/ TRAY, 150PCS/ 10 TRAY/CARTON

 ZICONN ELECTRONIC CO., LTD. WWW.ZICONN.COM 886-3-4687695	TOLERANCES X. \pm 0.40 .XX \pm 0.20 .X \pm 0.30 .XXX \pm 0.10	REV.	A	DRAWN BY	Kiki 2023/11/21	TITLE	QSFP DD CAGE, PCB MOUNT, R/A, METAL SHIELD, PRESS FIT TYPE WITH EMI SPRING			
			APPROVED BY	Lion 2023/11/21	DRAW NO.	FQ11PK-001	UNIT	MM	Sheet	4/4