

MATERIALS

HOUSING: LCP (UL 94V-0), BLACK
 SHELL: STAINLESS STEEL, NICKEL PLATING
 TERMINAL: COPPER ALLOY, GOLD PLATING ON CONTACT AREA
 TIN PLATING ON SOLDER TAIL

SPECIFICATION

CURRENT RATING: 0.5 AMP MAX
 DIELECTRIC WITHSTANDING: 500V AC FOR ONE MINUTE
 CONTACT RESISTANCE: 30m OHMS MAX
 INSULATION RESISTANCE: 100M OHMS MIN AT DC 100V
 OPERATION TEMPERATURE: -40°C~+85°C

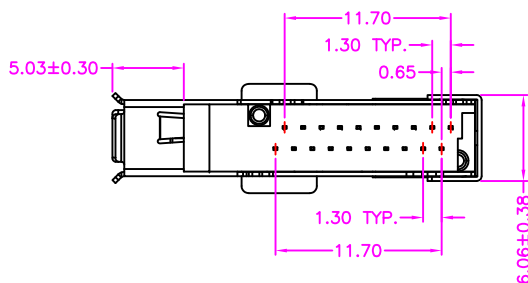
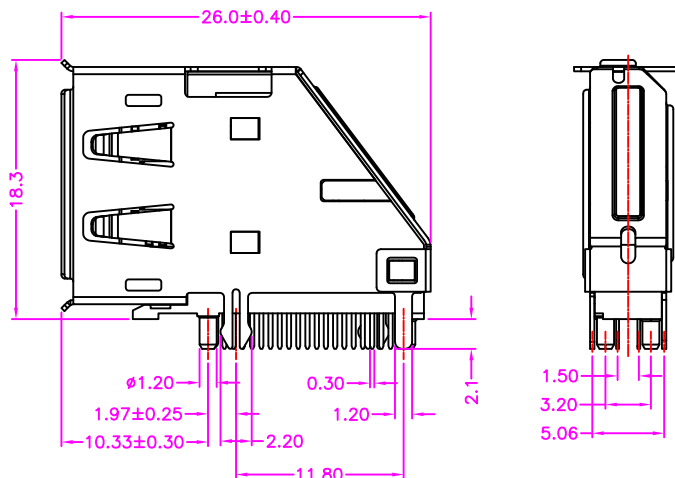
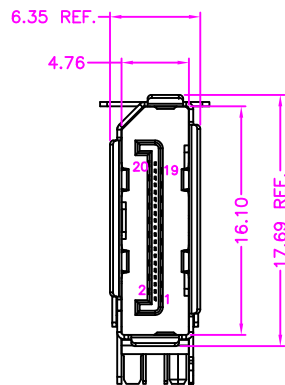
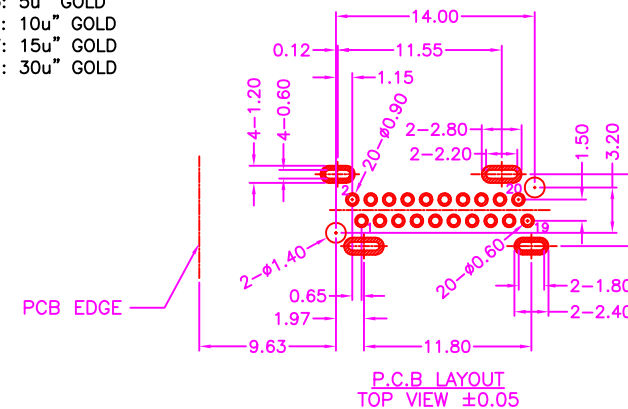
PART NUMBER:

BDPDB - 2 0 * T - 1 2 2

SERIES — NO. OF POS. — CONTACT PLATED OPTION — TAPE REEL PACKAGE — TIN PLATING ON SOLDER TAIL

CONTACT PLATED OPTION

- 1: GOLD FLASH
- 3: 3u" GOLD
- 5: 5u" GOLD
- 6: 10u" GOLD
- 7: 15u" GOLD
- 9: 30u" GOLD



PIN ASSIGNMENTS

PIN NUMBER	SOURCE-SIDE PIN ASSIGNMENT	SINK-SIDE PIN ASSIGNMENT
PIN 1	ML_lane 0(p)	ML_lane 3(n)
PIN 2	GND	GND
PIN 3	ML_lane 0(n)	ML_lane 3(p)
PIN 4	ML_lane 1(p)	ML_lane 2(n)
PIN 5	GND	GND
PIN 6	ML_lane 1(n)	ML_lane 2(p)
PIN 7	ML_lane 2(p)	ML_lane 1(n)
PIN 8	GND	GND
PIN 9	ML_lane 2(n)	ML_lane 1(p)
PIN 10	ML_lane 3(p)	ML_lane 0(n)
PIN 11	GND	GND
PIN 12	ML_lane 3(n)	ML_lane 0(p)
PIN 13	CONFIG1	CONFIG1
PIN 14	CONFIG2	CONFIG2
PIN 15	AUX CH (p)	AUX CH (p)
PIN 16	GND	GND
PIN 17	AUX CH (n)	AUX CH (n)
PIN 18	HOT PLUG DETECT	HOT PLUG DETECT
PIN 19	RETURN	RETURN
PIN 20	DP PWR	DP PWR



TOLERANCES
 X.±0.40 .XX±0.20
 .X±0.30 .XXX±0.10

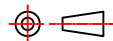
REV.

A

DRAWN BY Frank 2022/12/20

TITLE

DISPLAY PORT, PCB MOUNT, UPRIGHT, METAL SHIELD WITH POST, FEMALE



APPROVED BY Lion 2022/12/20

DRAW NO.

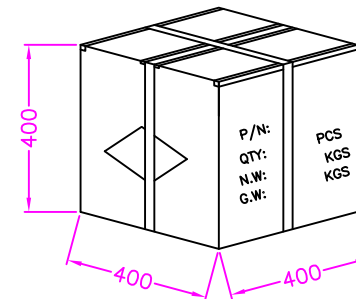
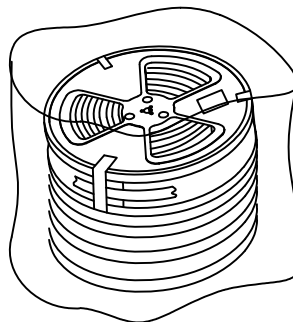
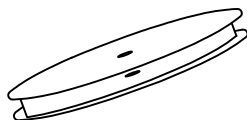
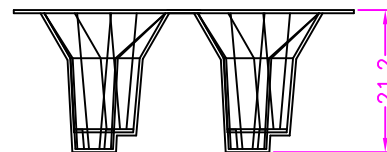
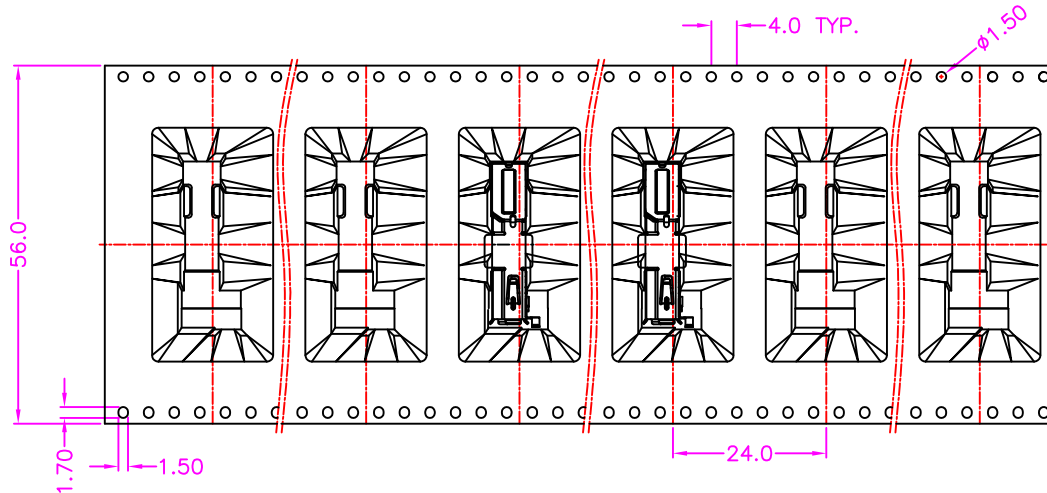
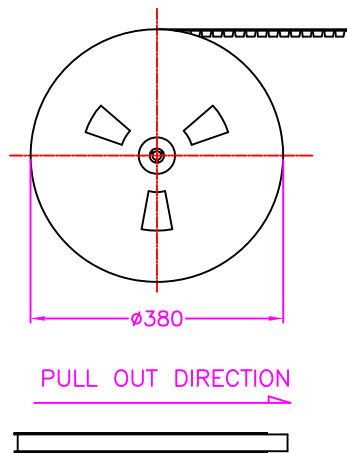
BDPDB-002

UNIT

MM

Sheet

1/2



NOTE: 170PCS/REEL, 1020PCS/ 6 REEL/CARTON