

**MATERIALS**

HOUSING: HI-TEMP. PLASTIC (UL 94V-0)  
 TERMINAL: COPPER ALLOY, GOLD PLATED

**SPECIFICATION**

CURRENT RATING: 1.5 AMP MAX  
 DIELECTRIC WITHSTANDING: 500V AC FOR ONE MINUTE  
 CONTACT RESISTANCE: 50m OHMS MAX  
 INSULATION RESISTANCE: 1000M OHMS MIN AT DC 500V  
 OPERATION TEMPERATURE: -20°C~+80°C

PART NUMBER:

ABRBA - 1 - 0 \* 1

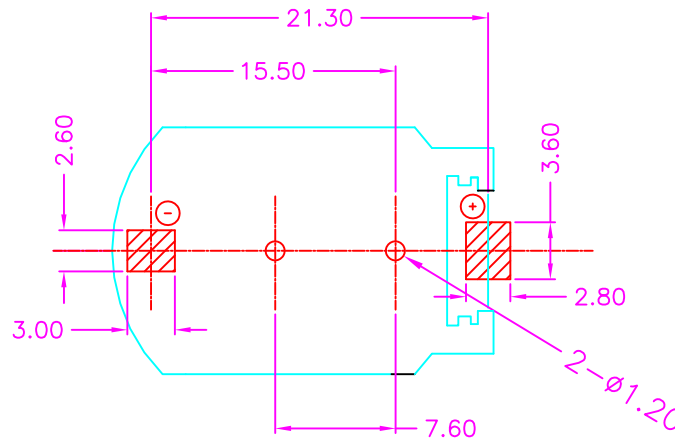
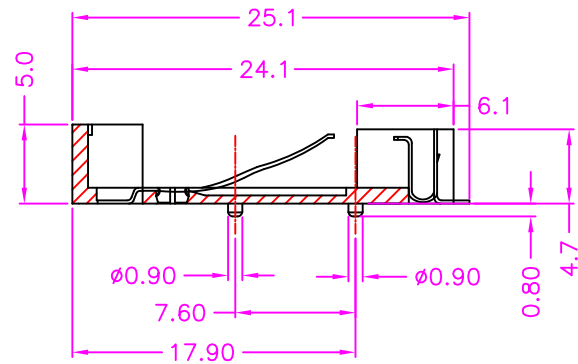
SERIES

GOLD PLATING ON TERMINAL

PACKAGE OPTION

1: TRAY

2: TAPE REEL



P.C.B LAYOUT  
 TOP VIEW ±0.05