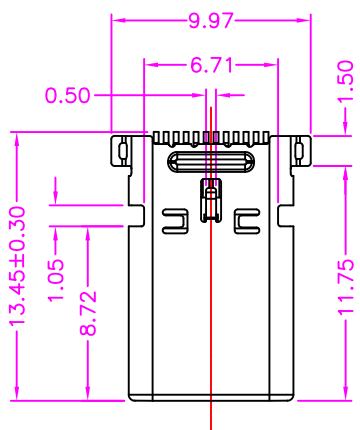


1 2 3 4 5 6

A



MATERIALS

HOUSING: LCP (UL 94V-0), BLACK
 CAP: LCP (UL 94V-0), BLACK
 SHELL: STAINLESS STEEL, NICKEL PLATING
 TERMINAL: COPPER ALLOY, GOLD PLATED ON CONTACT AREA
 TIN PLATING ON SOLDER TAIL

SPECIFICATION

CURRENT RATING: 1.0 AMP MAX
 DIELECTRIC WITHSTANDING: 100V AC FOR ONE MINUTE
 CONTACT RESISTANCE: 40m OHMS MAX
 INSULATION RESISTANCE: 100M OHMS MIN AT DC 300V
 OPERATION TEMPERATURE: -40°C~+85°C

PART NUMBER:

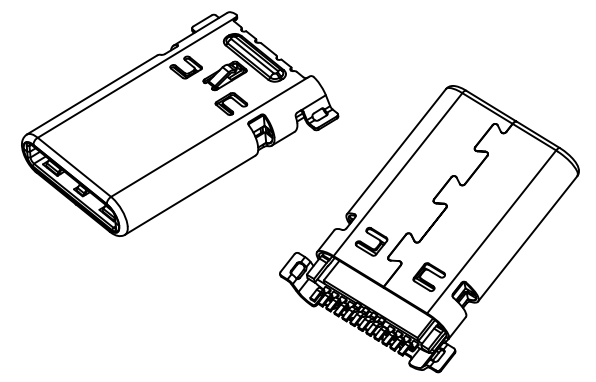
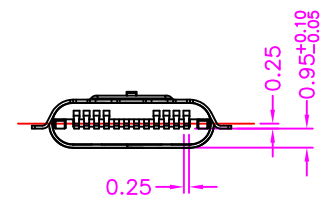
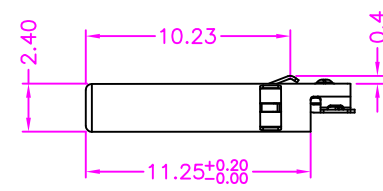
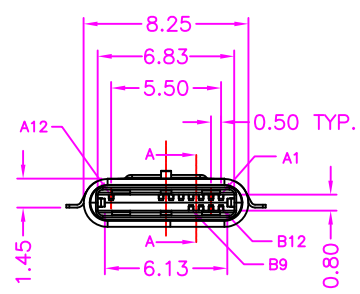
BUSJD - 1 2 * T - 2 2 L

SERIES — NO. OF POS. — CONTACT PLATED OPTION — TAPE REEL PACKAGE — TIN PLATING ON SOLDER TAIL

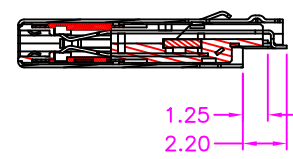
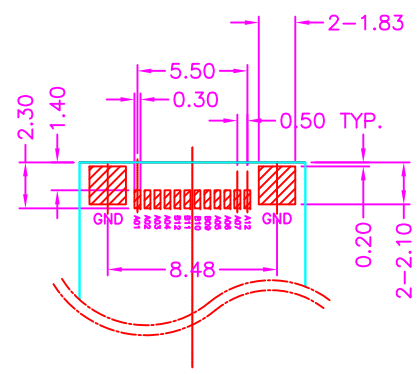
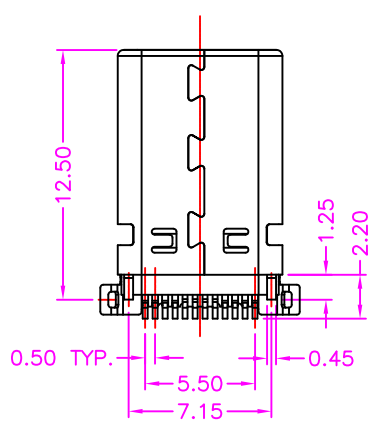
CONTACT PLATED OPTION

- 1: 1u" GOLD
- 3: 3u" GOLD
- 5: 5u" GOLD
- 6: 10u" GOLD
- 7: 15u" GOLD
- 9: 30u" GOLD

B



C



SECTION: A-A

P.C.B. LAYOUT TOP VIEW ±0.05

Pin Number		Pin Number	
PIN A1	GND	PIN B12	GND
PIN A2	TX1+	PIN B11	RX1+
PIN A3	TX1-	PIN B10	RX1-
PIN A4	VBUS	PIN B9	VBUS
PIN A5	CC	PIN B8	---
PIN A6	D+	PIN B7	---
PIN A7	D-	PIN B6	---
PIN A8	---	PIN B5	---
PIN A9	---	PIN B4	---
PIN A10	---	PIN B3	---
PIN A11	---	PIN B2	---
PIN A12	GND	PIN B1	---

D

ZICONN
 ELECTRONIC CO., LTD.
 WWW.ZICONN.COM 886-3-4687695

TOLERANCES

X.±0.40	.XX±0.20
.X±0.30	.XXX±0.10

REV.	A	DRAWN BY	Mika 2024/4/9	TITLE	USB C TYPE, PCB MID MOUNT, SMT, METAL SHIELD, 12PIN, MALE				
		APPROVED BY	Lion 2024/4/9	DRAW NO.	BUSJD-020	UNIT	MM	Sheet	1/1

BUSJD-020	UNIT	MM	Sheet	1/1
-----------	------	----	-------	-----

1 2 3 4 5 6

A

B

C

D