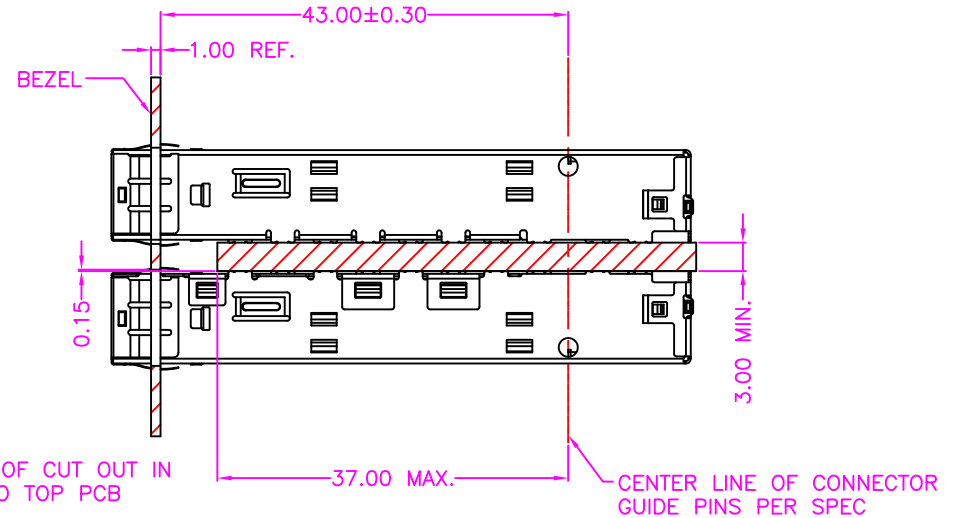
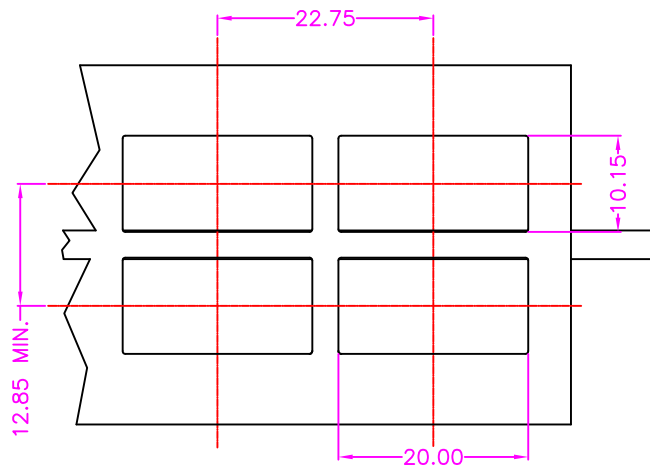


BOTTOM OF CUT OUT IN BEZEL TO TOP PCB

SINGLE



BOTTOM OF CUT OUT IN BEZEL TO TOP PCB

BELLY TO BELLY

A

B

C

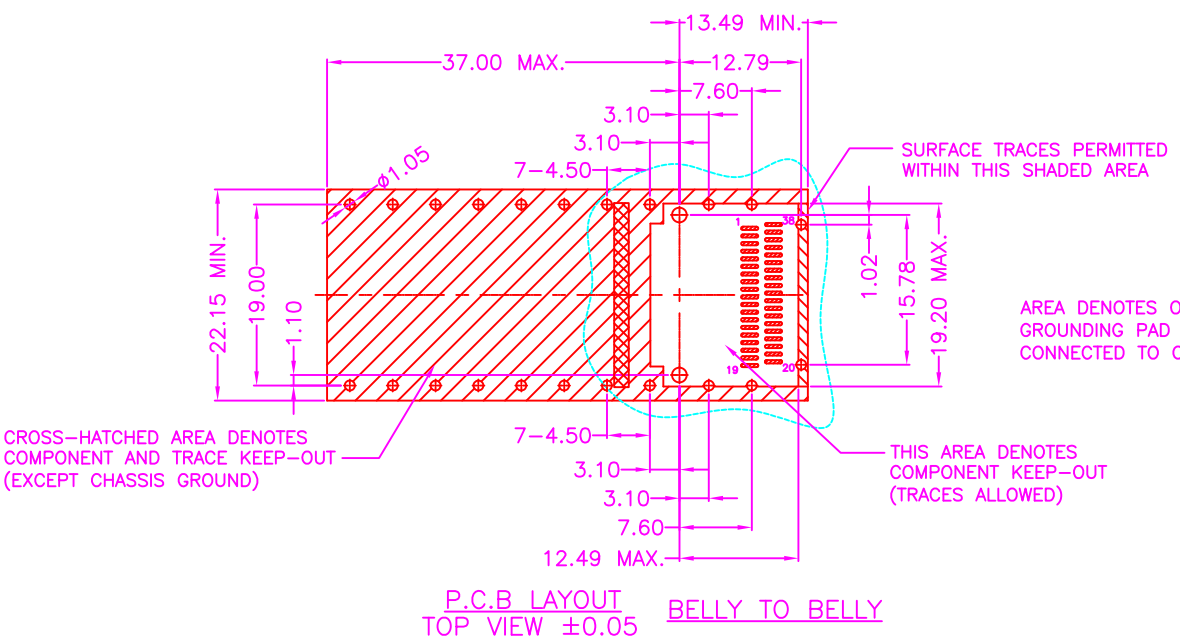
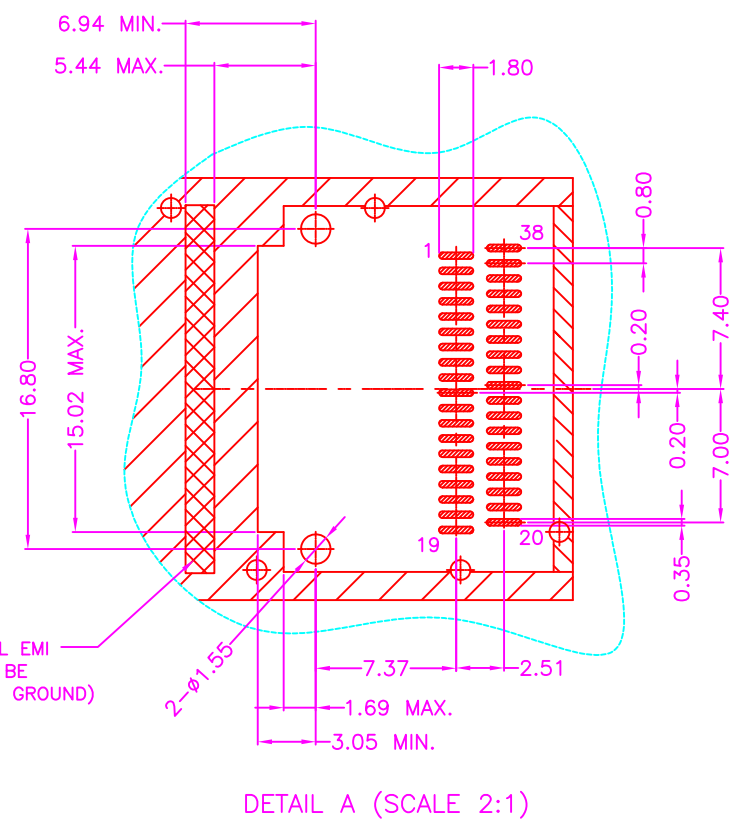
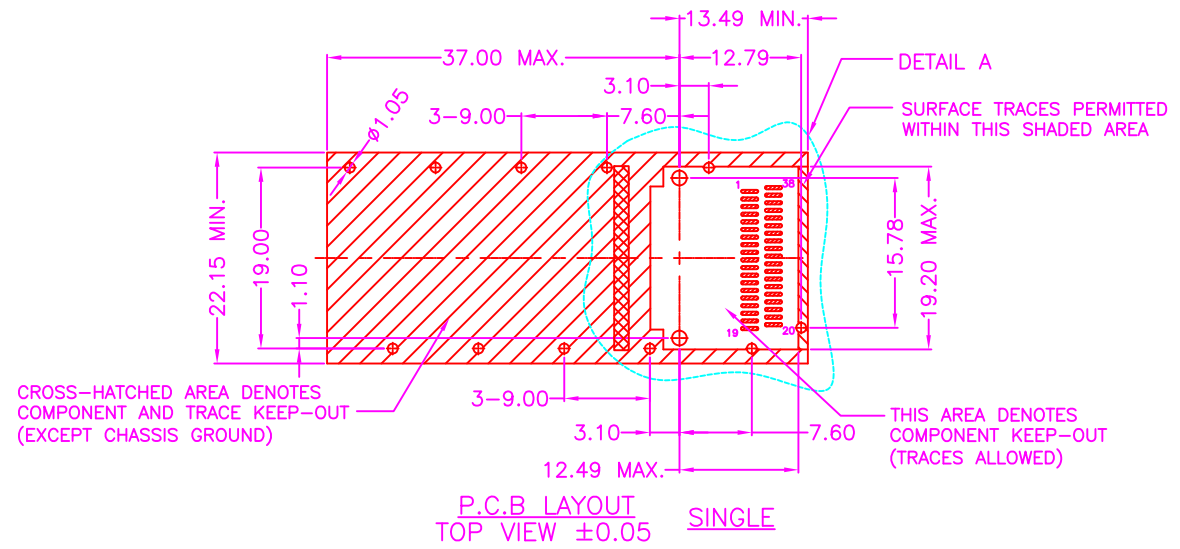
D

A

B

C

D



ZICONN
ELECTRONIC CO., LTD.
WWW.ZICONN.COM 886-3-4687695

TOLERANCES	
X.±0.40	.XX±0.20
.X±0.30	.XXX±0.10

REV.	A	DRAWN BY	Kiki 2023/11/15	TITLE	QSFP56/28 CAGE, PCB MOUNT, R/A, METAL SHIELD PRESS FIT TYPE WITH EMI SPRING
		APPROVED BY	Lion 2023/11/15	DRAW NO.	FQ11KK-001

UNIT	MM	Sheet	3/3
------	----	-------	-----