

MATERIALS

SFP CONNECTOR
 HOUSING: LCP (UL 94V-0), BLACK
 TERMINAL: COPPER ALLOY, GOLD PLATED ON CONTACT AREA
 TIN PLATING ON SOLDER TAIL

SFP CAGE
 METAL SHIELD:
 TOP: COPPER ALLOY
 MIDDLE: COPPER ALLOY
 BOTTOM: COPPER ALLOY
 BACK: COPPER ALLOY

PART NUMBER:

F21BC - 0 * C - 1 1

SERIES ———

CONNECTOR TERMINAL CONTACT PLATING OPTION
 1: GOLD FLASH
 3: 3u" GOLD
 5: 10u" GOLD
 7: 15u" GOLD
 9: 30u" GOLD

TRAY PACKAGE ———



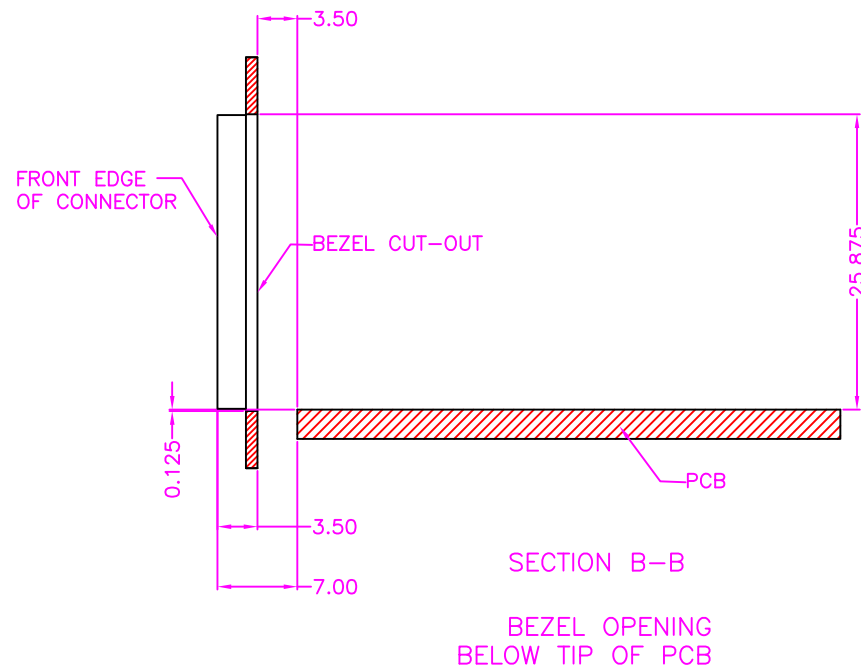
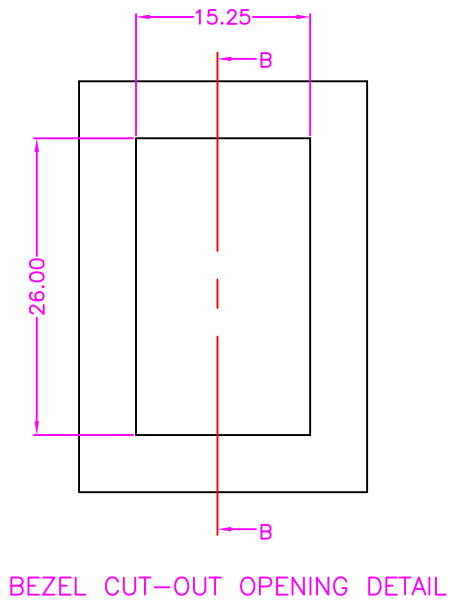
TOLERANCES	
X.±0.40	.XX±0.20
.X±0.30	.XXX±0.10

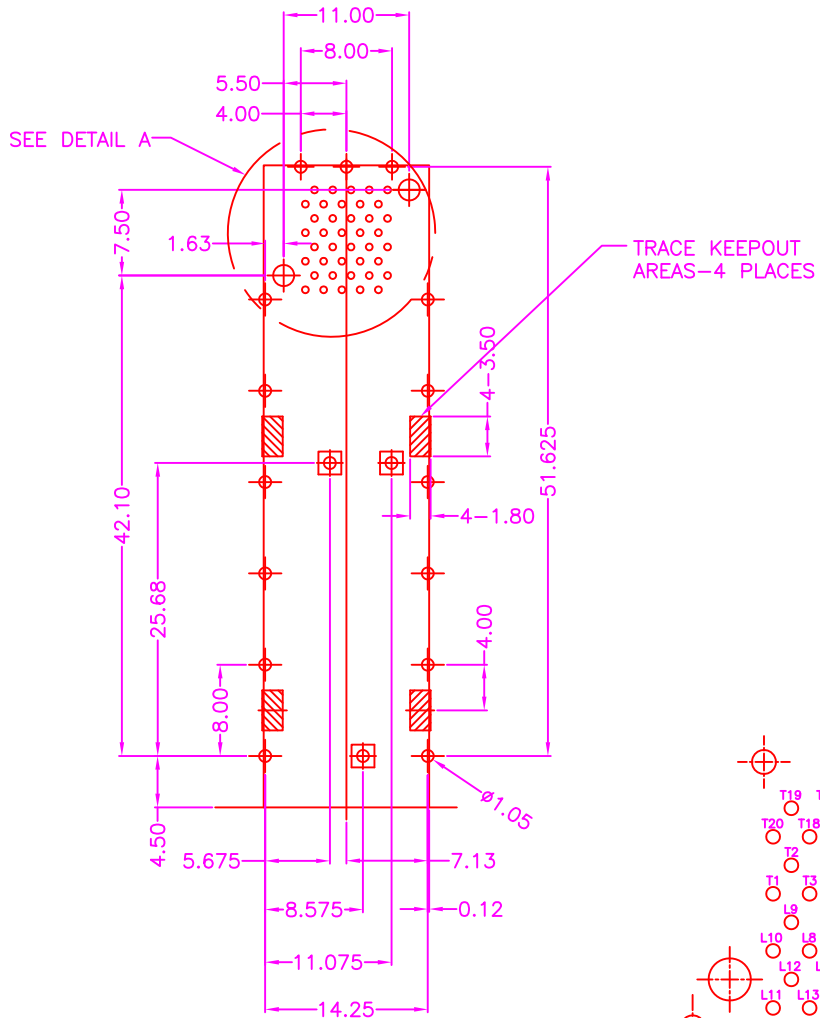
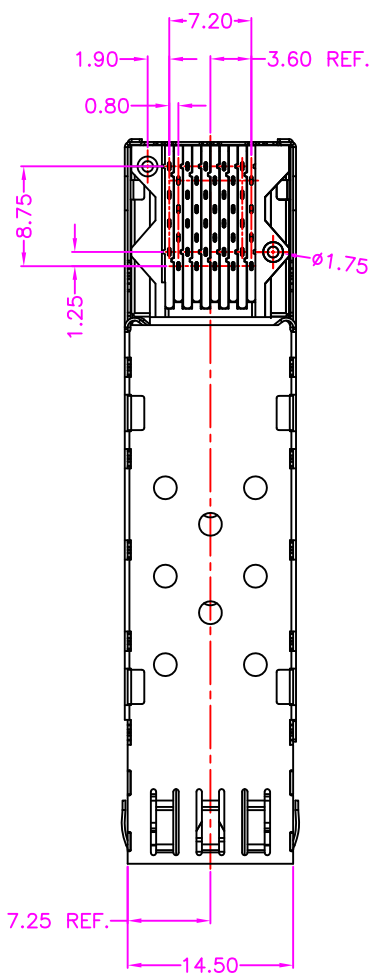
REV.	A

DRAWN BY	Zhong 2018/5/2
APPROVED BY	Lion 2018/5/2

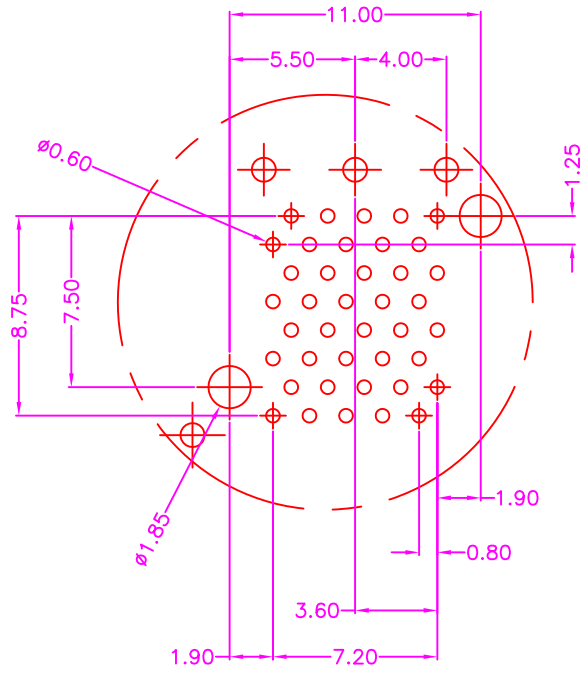
TITLE	
DRAW NO.	

STACKED SFP 2x1 CAGE, R/A, METAL SHIELD PRESS FIT TYPE WITH CONNECTOR				
F21BC-001	UNIT	MM	Sheet	1/3

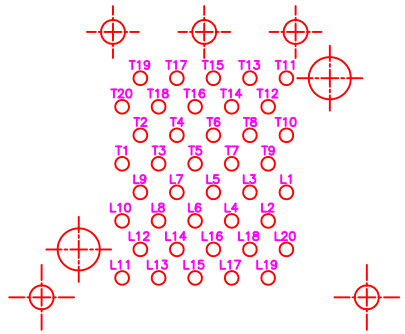




P.C.B LAYOUT
TOP VIEW ±0.05



DETAIL A
SCALE 2:1



CONNETTON PINOUT DETAIL
COMPONENT SIDE OF BOARD