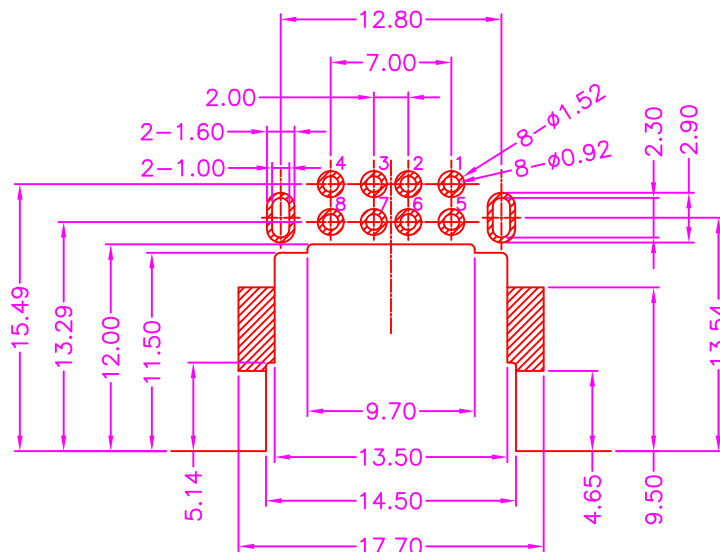
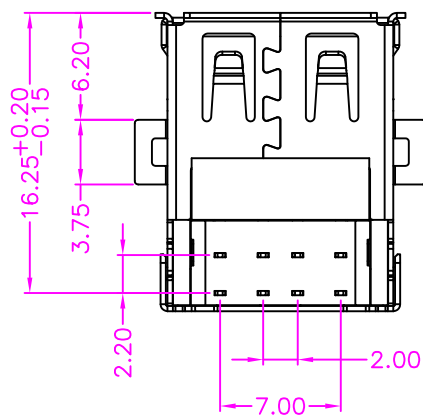


MATERIALS

HOUSING: LCP (UL 94V-0), BLACK
 SHELL: STAINLESS STEEL, NICKEL PLATING
 MID SHELL: STAINLESS STEEL
 TERMINAL: COPPER ALLOY, GOLD PLATING ON CONTACT AREA
 TIN PLATING ON SOLDER TAIL

SPECIFICATION

CURRENT RATING: 1.5 AMP MAX
 DIELECTRIC WITHSTANDING: 500V AC FOR ONE MINUTE
 CONTACT RESISTANCE: 30m OHMS MAX
 INSULATION RESISTANCE: 1000M OHMS MIN AT DC 500V
 OPERATION TEMPERATURE: -40°C~+85°C



P.C.B. LAYOUT
 TOP VIEW ±0.05

PART NUMBER:

BUSCE - 0 8 * T - 1 2 3

SERIES — NO. OF POS. — TAPE REEL PACKAGE — TIN PLATING ON SOLDER TAIL

CONTACT PLATED OPTION

- 1: GOLD FLASH
- 3: 3u" GOLD
- 5: 5u" GOLD
- 6: 10u" GOLD
- 7: 15u" GOLD
- 9: 30u" GOLD

PIN NUMBER	SIGNAL NAME
1	VCC
2	D-
3	D+
4	GND
5	VCC
6	D-
7	D+
8	GND

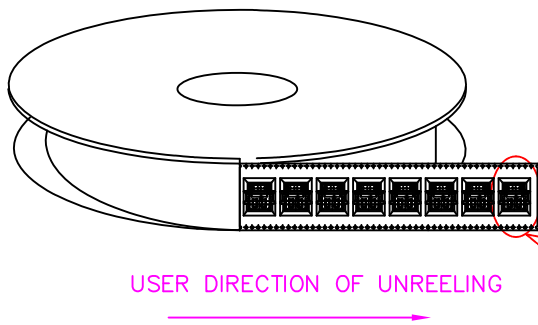
B	MODIFY PACKAGE QUANTITY	2022.9.27
A	RELEASE	2021.9.27
REV.	DESCRIPTION	DATE



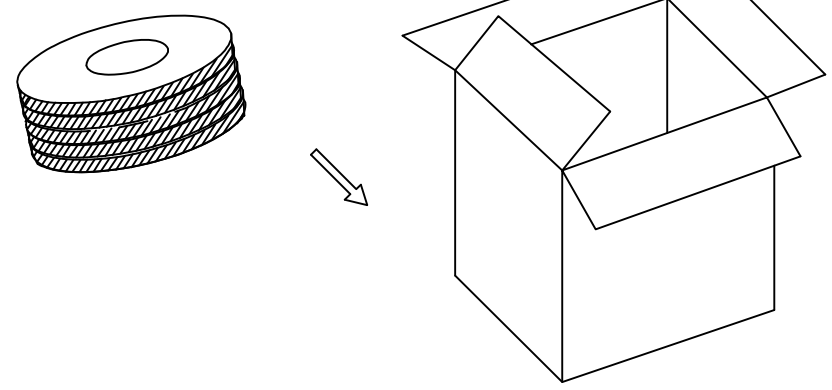
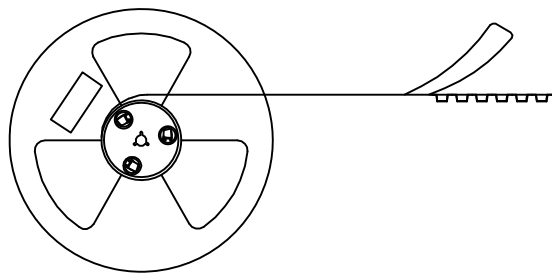
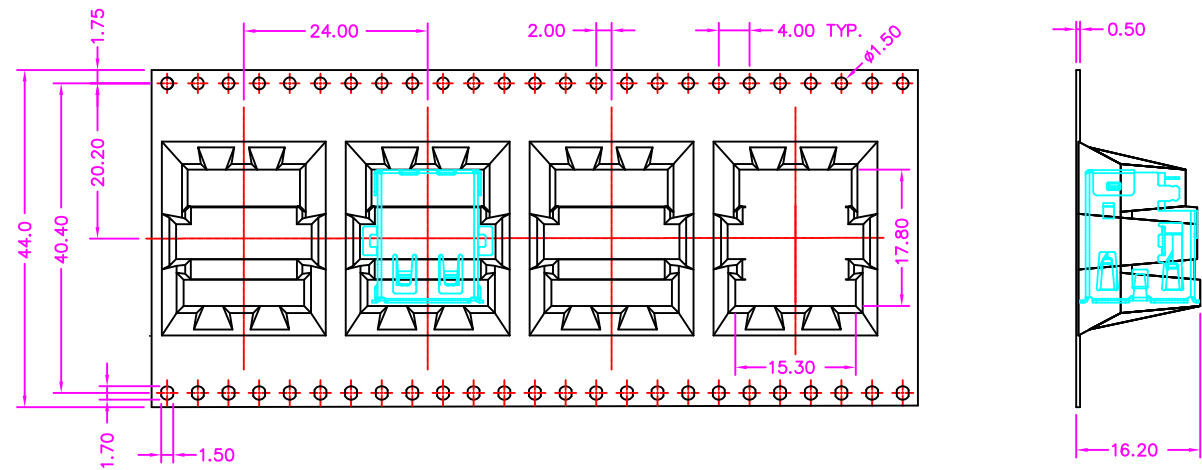
TOLERANCES
 X.±0.40 .XX±0.20
 .X±0.30 .XXX±0.10

REV. B DRAWN BY Zhong 2021/9/27 TITLE
 APPROVED BY Lion 2021/9/27

DRAW NO. BUSCE-003 UNIT MM Sheet 1/2
 STACKED 2X1 USB A TYPE, PCB MID MOUNT, R/A, METAL SHIELD, FEMALE



USER DIRECTION OF UNREELING



NOTE: 200PCS/ REEL, 1200PCS/ 6 REEL/ CARTON



TOLERANCES	
X \pm 0.40	.XX \pm 0.20
.X \pm 0.30	.XXX \pm 0.10

REV.	B

DRAWN BY	Zhong 2021/9/27
APPROVED BY	Lion 2021/9/27

TITLE	STACKED 2X1 USB A TYPE, PCB MID MOUNT, R/A, METAL SHIELD, FEMALE				
DRAW NO.	BUSCE-003	UNIT	MM	Sheet	2/2