

A

B

C

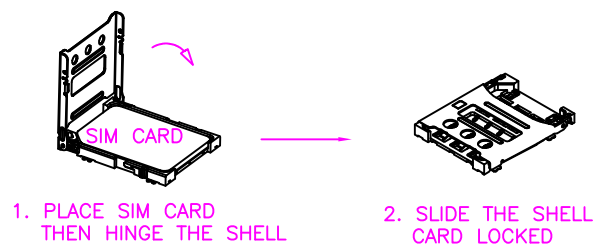
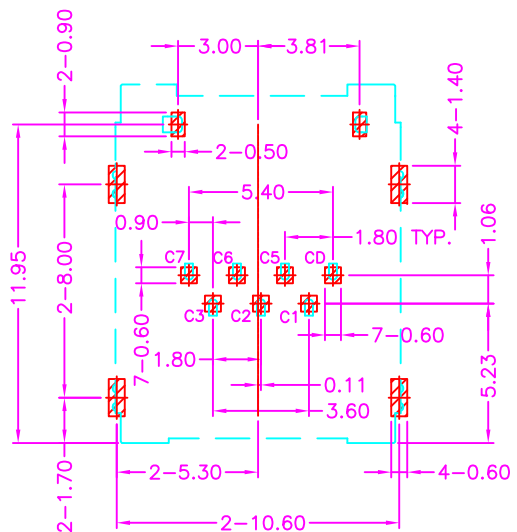
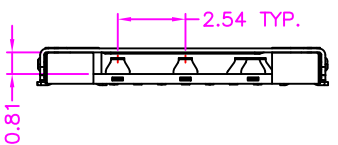
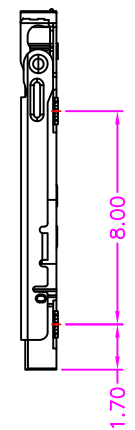
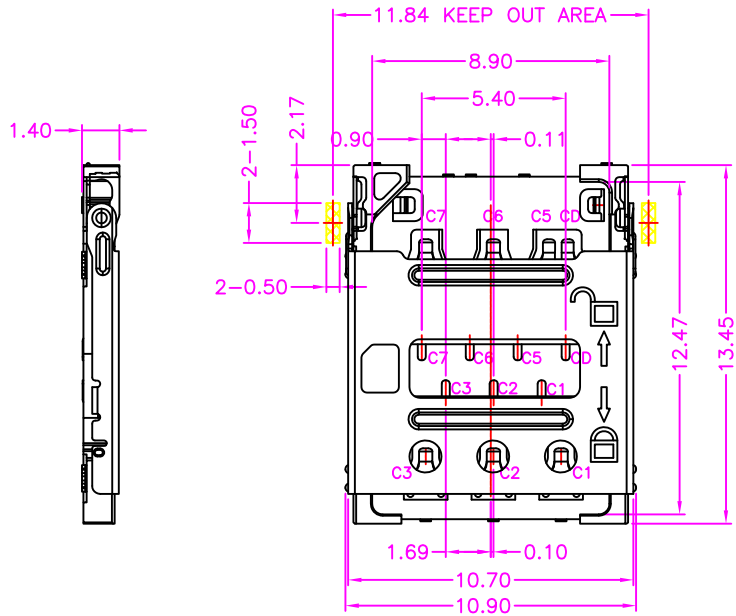
D

A

B

C

D



SW CIRCUIT DESCRIPTION FOR CONNECTOR:

CARD INSERTION STATE	DETECT SWITCH CIRCUIT STATE	SCHEMATIC
UNMATED	OPENED	DETECT PIN CD
MATED	CLOSED	DETECT PIN CD

MATERIALS

HOUSING: LCP (UL 94V-0), BLACK  
 SHELL: STAINLESS STEEL, NICKEL PLATING  
 SOLDER PAD: STAINLESS STEEL, GOLD FLASH  
 TERMINAL: COPPER ALLOY, GOLD PLATING

SPECIFICATION

CURRENT RATING: 0.5 AMP MAX  
 DIELECTRIC WITHSTANDING: 500V AC FOR ONE MINUTE  
 CONTACT RESISTANCE: 100m OHMS MAX  
 INSULATION RESISTANCE: 1000M OHMS MIN AT DC 500V  
 OPERATION TEMPERATURE: -40°C~+85°C

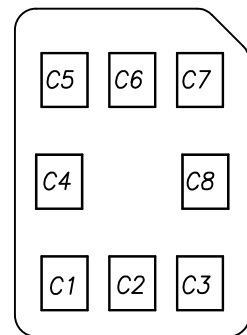
PART NUMBER:

MMCRH - 0 7 \* - 1 2 4

SERIES — NO. OF POS. — TAPE REEL PACKAGE

CONTACT PLATED OPTION

- 1: GOLD FLASH
- 3: 3u" GOLD
- 5: 5u" GOLD
- 6: 10u" GOLD
- 7: 15u" GOLD
- 9: 30u" GOLD



PIN No.	FUNCTION
C1	VCC
C2	RST
C3	CLK
C4	RESERVED
C5	GND
C6	VPP
C7	I/O
C8	RESERVED
CD	DETECT SWITCH



TOLERANCES

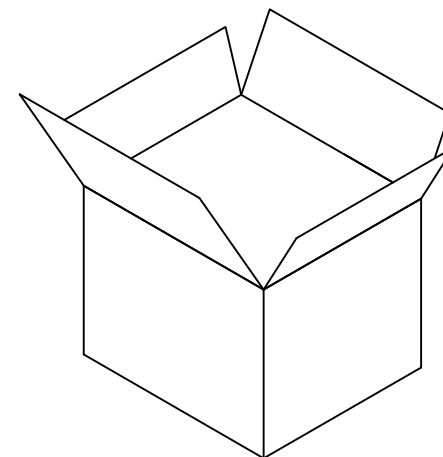
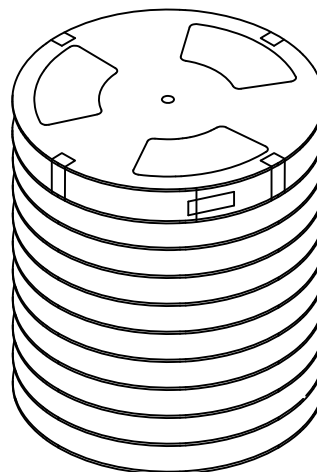
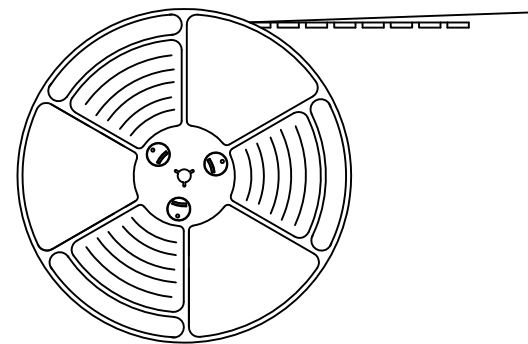
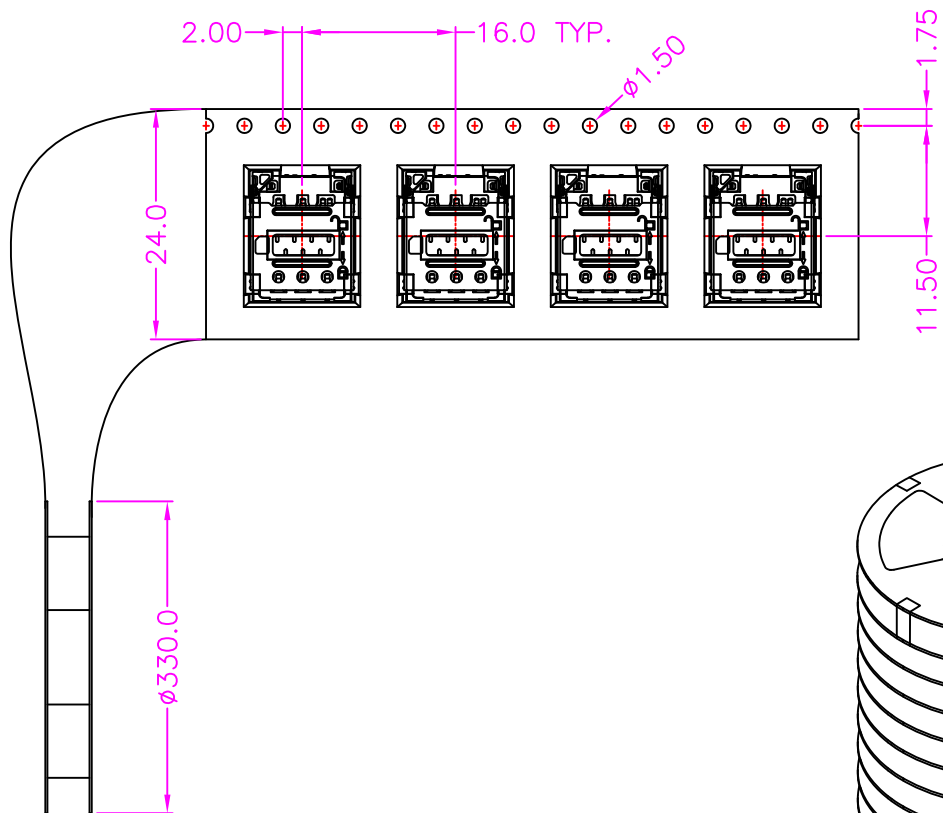
X.±0.40	.XX±0.20
.X±0.30	.XXX±0.10

REV.	A	DRAWN BY	Kiki 2023/10/8	TITLE	NANO SIM CARD, 7PIN, PCB MOUNT, SMT, METAL SHIELD, HINGE TYPE WITH SWITCH, FEMALE, H=1.35mm
		APPROVED BY	Lion 2023/10/8	DRAW NO.	MMCRH-004

UNIT	MM	Sheet	1/2
------	----	-------	-----

USER DIRECTION OF UNREELING

PULL OUT



NOTE: 2000PCS/REEL, 20000PCS/10 REEL/CARTON