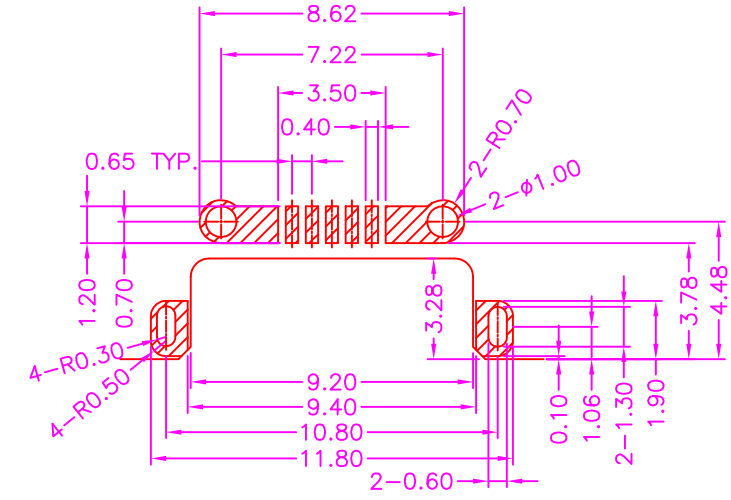


RECESSED MOUNTING CONFIGURATION



P.C.B. LAYOUT
TOP VIEW ±0.05

MATERIALS

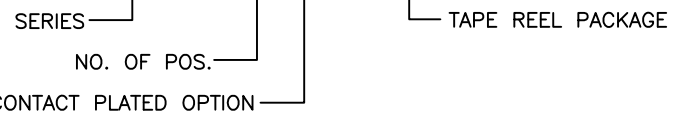
HOUSING: THERMOPLASTIC (UL 94V-0)
SHELL: STAINLESS STEEL, TIN PLATING
TERMINAL: COPPER ALLOY, GOLD PLATED

SPECIFICATION

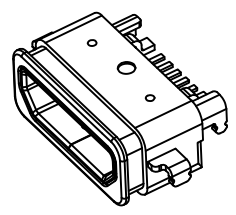
CURRENT RATING: 1.8 AMP MAX (ONLY PIN 1, 5), OTHER 1 AMP MAX
DIELECTRIC WITHSTANDING: 100V AC FOR ONE MINUTE
CONTACT RESISTANCE: 30m OHMS MAX
INSULATION RESISTANCE: 100M OHMS MIN AT DC 500V
OPERATION TEMPERATURE: -40°C~+105°C

PART NUMBER:

BUSTU - 0 5 * - 1 2 1



- CONTACT PLATED OPTION
- 1: GOLD FLASH
 - 3: 3u" GOLD
 - 5: 5u" GOLD
 - 6: 10u" GOLD
 - 7: 15u" GOLD
 - 9: 30u" GOLD



ZICONN
ELECTRONIC CO., LTD.
WWW.ZICONN.COM 886-3-4687695

TOLERANCES

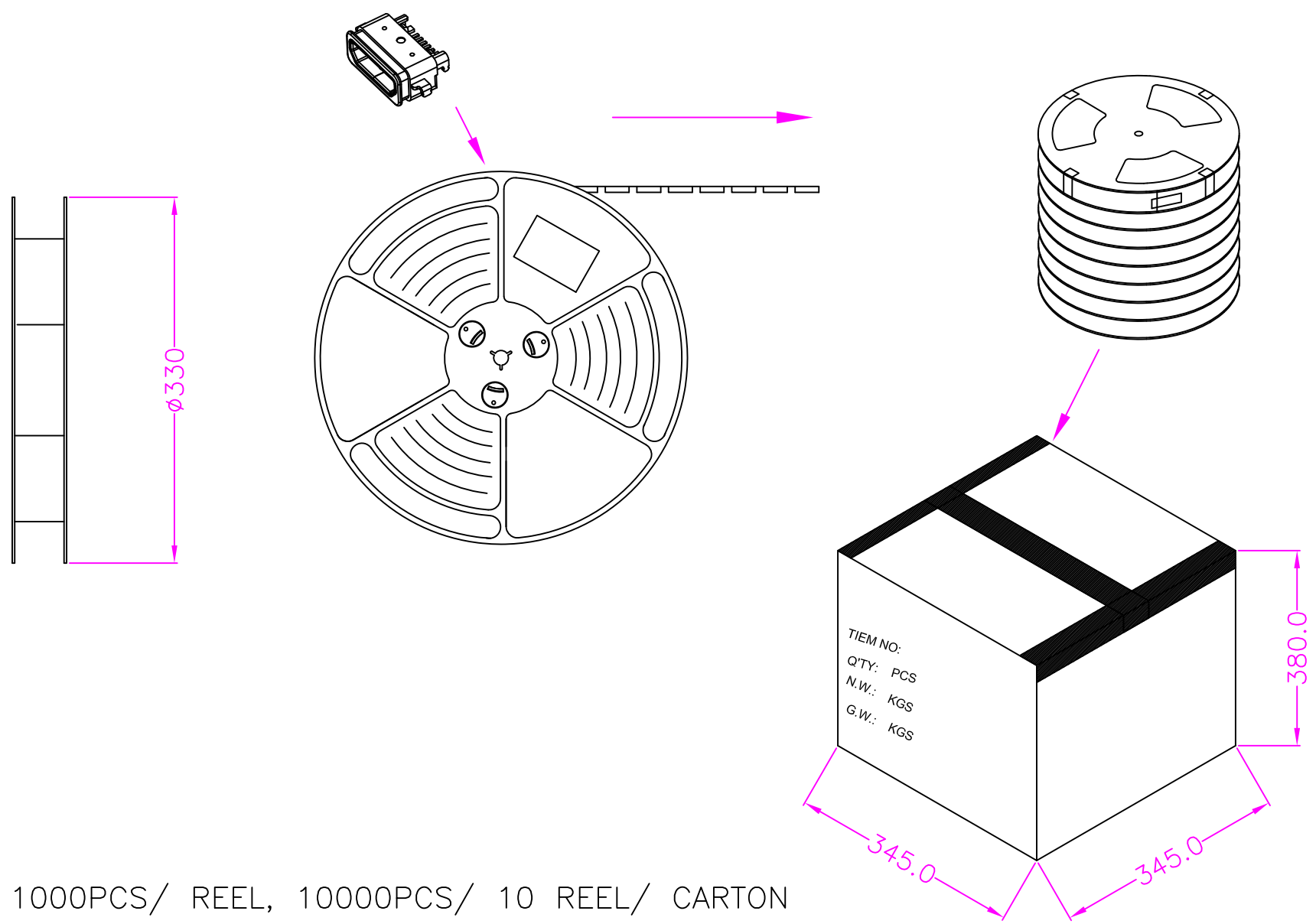
X.±0.40	.XX±0.20
.X±0.30	.XXX±0.10

REV. A

DRAWN BY Zhong 2018/8/9

APPROVED BY Lion 2018/8/9

TITLE	MICRO USB B TYPE, PCB MOUNT, WATERPROOF SMT MID MOUNT TYPE, METAL SHIELD, FEMALE (IP67)				
DRAW NO.	BUSTU-001	UNIT	MM	Sheet	1/2



NOTE: 1000PCS/ REEL, 10000PCS/ 10 REEL/ CARTON