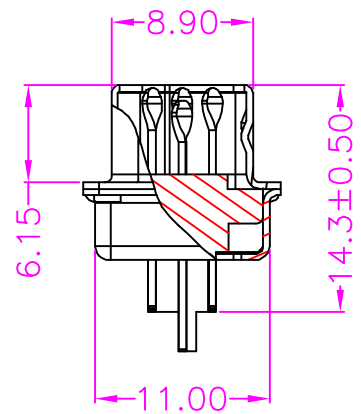
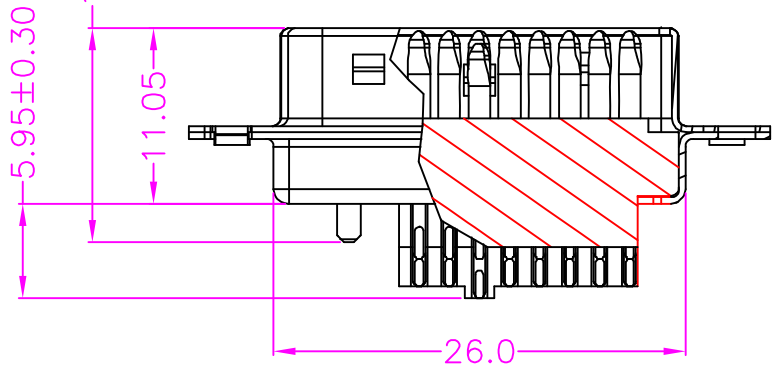


**MATERIALS**

HOUSING: THERMOPLASTIC (UL 94V-0)  
 FRONT SHELL: SPCC, NICKEL PLATING  
 REAR SHELL: SPCC, TIN PLATING  
 TERMINAL: COPPER ALLOY, GOLD PLATED ON CONTACT AREA  
 TIN PLATING ON SOLDER TAIL



**SPECIFICATION**

CURRENT RATING: 3 AMP MAX  
 DIELECTRIC WITHSTANDING: 500V AC FOR ONE MINUTE  
 CONTACT RESISTANCE: 20m OHMS MAX  
 INSULATION RESISTANCE: 1000M OHMS MIN AT DC 500V  
 OPERATION TEMPERATURE: -40°C~+85°C

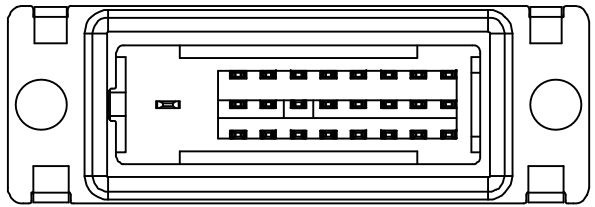
**PART NUMBER:**

**BDVAS - 2 5 \* T - 2 \* 1**

SERIES ————  
 NO. OF POS. ————  
 PACKAGE OPTION  
 1: TRAY  
 4: BAG

CONTACT PLATED OPTION ———— TIN PLATING ON SOLDER TAIL

- 1: GOLD FLASH
- 3: 3u" GOLD
- 5: 5u" GOLD
- 6: 10u" GOLD
- 7: 15u" GOLD
- 9: 30u" GOLD



TOLERANCES	
X.±0.40	.XX±0.20
.X±0.30	.XXX±0.10

REV.	A

DRAWN BY	Zhong 2018/3/14
APPROVED BY	Lion 2018/3/14

TITLE	DVI 24+1, SOLDER MOUNT VERTICAL, METAL SHIELD, MALE				
DRAW NO.	BDVAS-001	UNIT	MM	Sheet	1/1