

P.C.B LAYOUT  
TOP VIEW ±0.05

KEEP OUT AREA

**MATERIALS**

HOUSING: LCP (UL 94V-0)  
SHELL: COPPER ALLOY, NICKEL PLATING  
TERMINAL: COPPER ALLOY, GOLD PLATED ON CONTACT AREA  
TIN PLATING ON SOLDER TAIL

**SPECIFICATION**

CURRENT RATING: 1.5 AMP MIN  
DIELECTRIC WITHSTANDING: 500V AC FOR ONE MINUTE  
CONTACT RESISTANCE: 30m OHMS MAX  
INSULATION RESISTANCE: 1000M OHMS MIN AT DC 500V  
OPERATION TEMPERATURE: -40°C~+85°C

**PART NUMBER:**

BUSEC - 0 9 \* T - 1 2 8

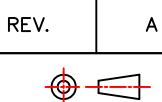
SERIES ———— NO. OF POS. ———— CONTACT PLATED OPTION ———— TIN PLATING ON SOLDER TAIL ———— TAPE REEL PACKAGE

- 1: GOLD FLASH
- 3: 3u" GOLD
- 5: 5u" GOLD
- 6: 10u" GOLD
- 7: 15u" GOLD
- 9: 30u" GOLD

PIN NUMBER	SIGNAL NAME
1	VBUS
2	D-
3	D+
4	GND
5	StdA_SSRX-
6	StdA_SSRX+
7	GND_DRAIN
8	StdA_SSTX-
9	StdA_SSTX+
Shell	SHIELD

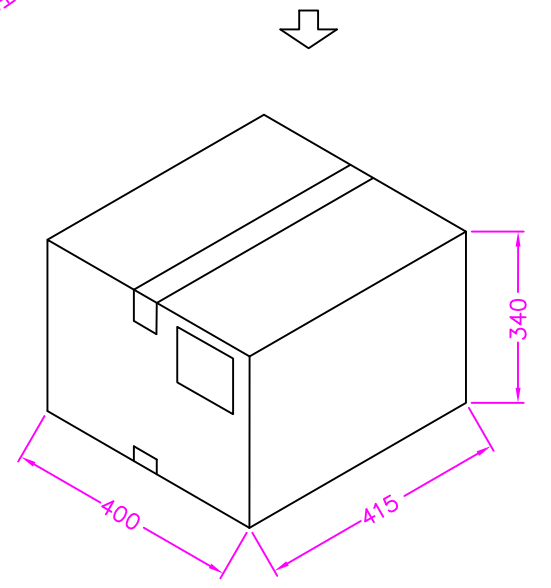
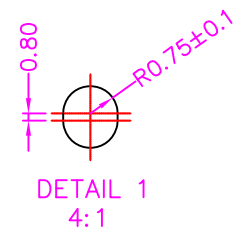
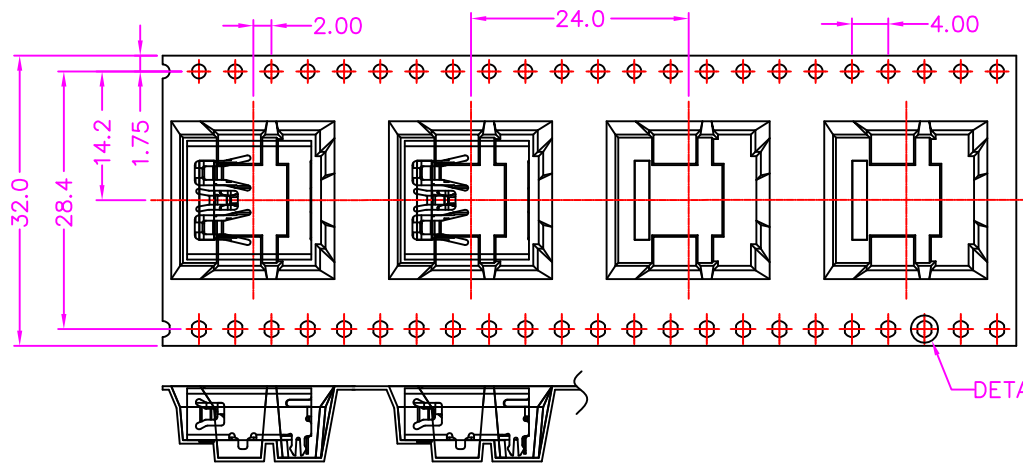
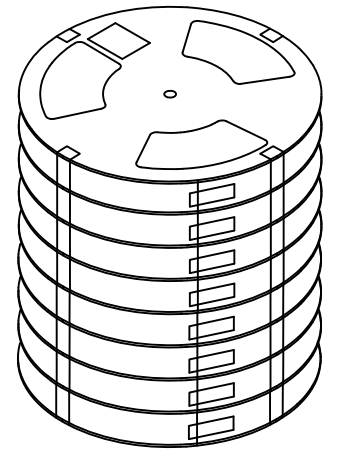
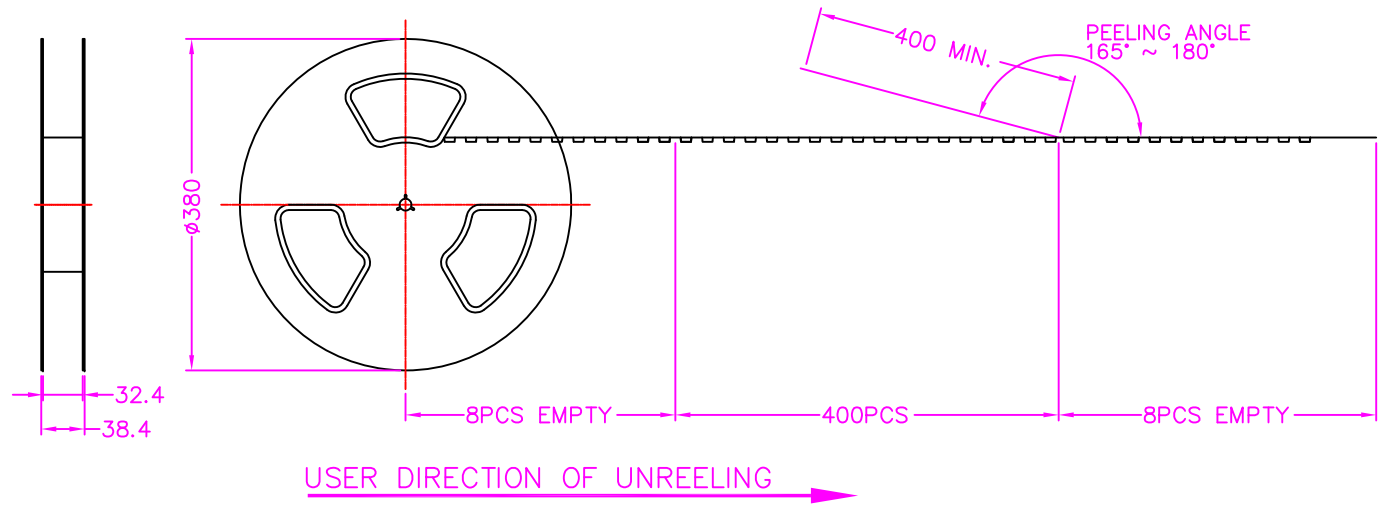


TOLERANCES	
X±0.40	.XX±0.20
.X±0.30	.XXX±0.10



REV. A  
DRAWN BY Kiki 2023/7/11  
APPROVED BY Lion 2023/7/11

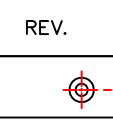
TITLE: USB 3.0 A TYPE, PCB MOUNT, R/A, METAL SHIELD, FEMALE  
DRAW NO. BUSEC-008 UNIT MM Sheet 1/2



NOTE: 400PCS/REEL, 3200PCS/ 8 REEL/ CARTON



TOLERANCES	
X±0.40	.XX±0.20
.X±0.30	.XXX±0.10



REV.	A	DRAWN BY	KiKi 2023/7/11	TITLE	USB 3.0 A TYPE, PCB MOUNT, R/A, METAL SHIELD, FEMALE				
		APPROVED BY	Lion 2023/7/11	DRAW NO.	BUSEC-008	UNIT	MM	Sheet	2/2

DRAWN BY	KiKi 2023/7/11	TITLE	USB 3.0 A TYPE, PCB MOUNT, R/A, METAL SHIELD, FEMALE				
APPROVED BY	Lion 2023/7/11	DRAW NO.	BUSEC-008	UNIT	MM	Sheet	2/2