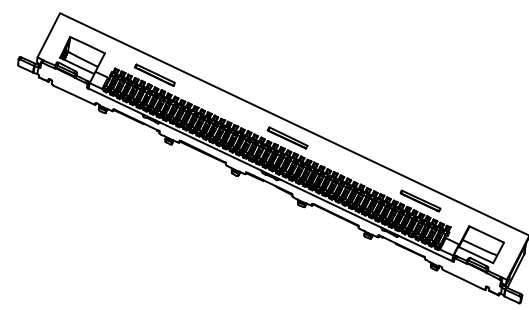


P.C.B. LAYOUT
TOP VIEW ±0.05



MATERIALS

HOUSING: HI-TEMP. PLASTIC (UL 94V-0), BLACK
 SHELL: STAINLESS STEEL, TIN PLATING
 TERMINAL: COPPER ALLOY GOLD PLATED ON CONTACT AREA
 TIN PLATING ON SOLDER TAIL

SPECIFICATION

CURRENT RATING: 0.70 AMP MAX
 DIELECTRIC WITHSTANDING: 500V AC FOR ONE MINUTE
 CONTACT RESISTANCE: 50m OHMS MAX
 INSULATION RESISTANCE: 100M OHMS MIN AT DC 250V
 OPERATION TEMPERATURE: -40°C~+85°C

PART NUMBER:

BLVDC - 4 1 * T - 1 2 9



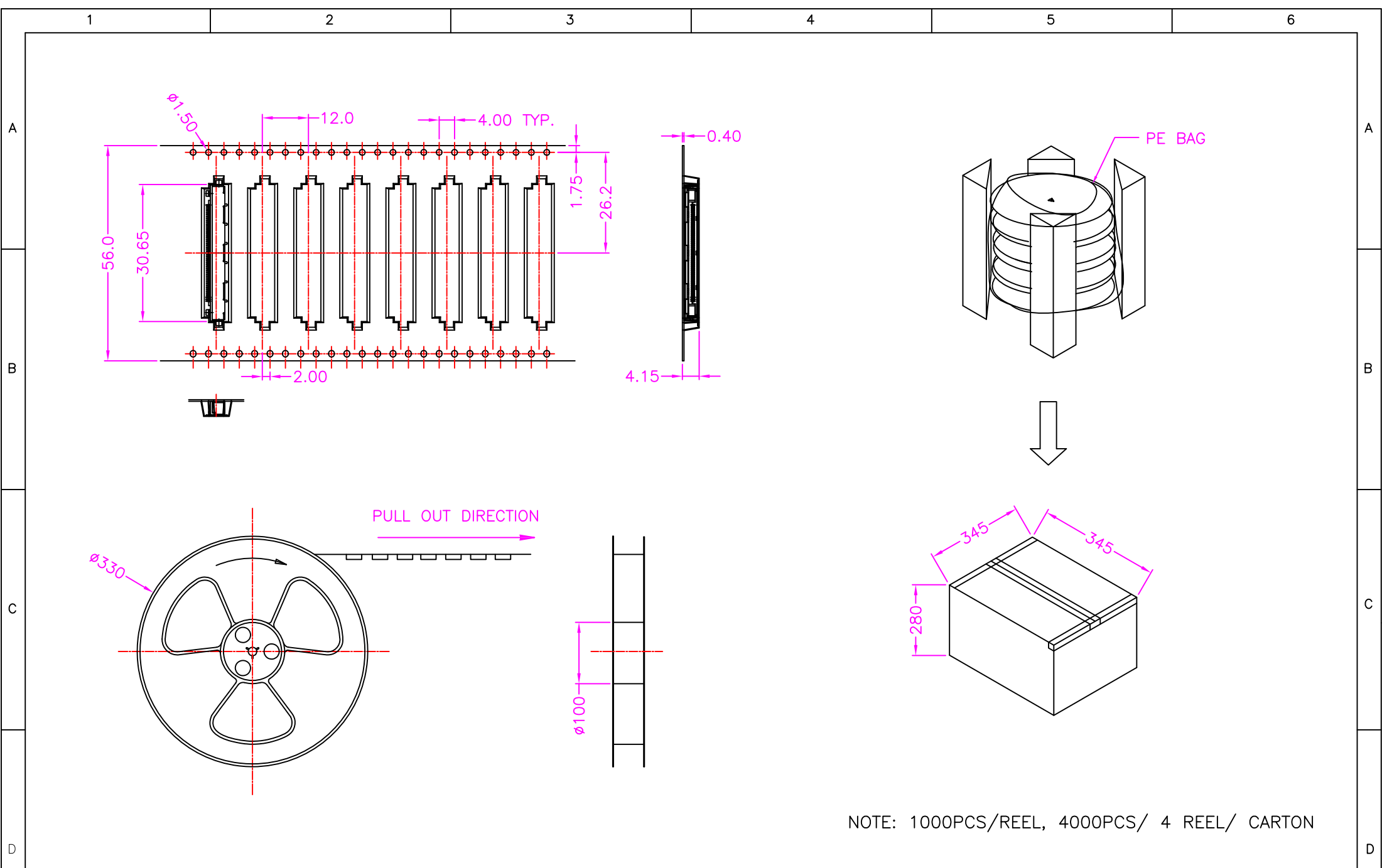
CONTACT PLATED OPTION

- 1: GOLD FLASH
- 3: 3u" GOLD
- 5: 5u" GOLD
- 6: 10u" GOLD
- 7: 15u" GOLD



TOLERANCES	
X.±0.40	.XX±0.20
.X±0.30	.XXX±0.10

REV.	A	DRAWN BY	Kiki 2022/7/26	TITLE	LVDS 0.50mm PITCH, PCB MOUNT, SMT, 41PIN, FEMALE				
		APPROVED BY	Lion 2022/7/26	DRAW NO.	BLVDC-009	UNIT	MM	Sheet	1/2



NOTE: 1000PCS/REEL, 4000PCS/ 4 REEL/ CARTON