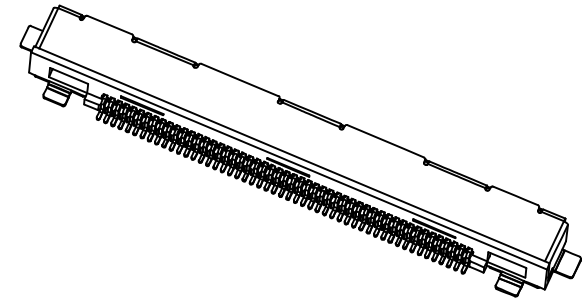


P.C.B. LAYOUT  
TOP VIEW ±0.05



**MATERIALS**

HOUSING: HI-TEMP. PLASTIC (UL 94V-0), BLACK  
 SHELL: STAINLESS STEEL, TIN PLATING  
 TERMINAL: COPPER ALLOY GOLD PLATED ON CONTACT AREA  
 TIN PLATING ON SOLDER TAIL

**SPECIFICATION**

CURRENT RATING: 0.70 AMP MAX  
 DIELECTRIC WITHSTANDING: 500V AC FOR ONE MINUTE  
 CONTACT RESISTANCE: 50m OHMS MAX  
 INSULATION RESISTANCE: 100M OHMS MIN AT DC 250V  
 OPERATION TEMPERATURE: -40°C~+85°C

**PART NUMBER:**

BLVDC - 5 1 \* T - 1 2 8

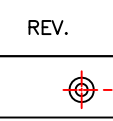


**CONTACT PLATED OPTION**

- 1: GOLD FLASH
- 3: 3u" GOLD
- 5: 5u" GOLD
- 6: 10u" GOLD
- 7: 15u" GOLD



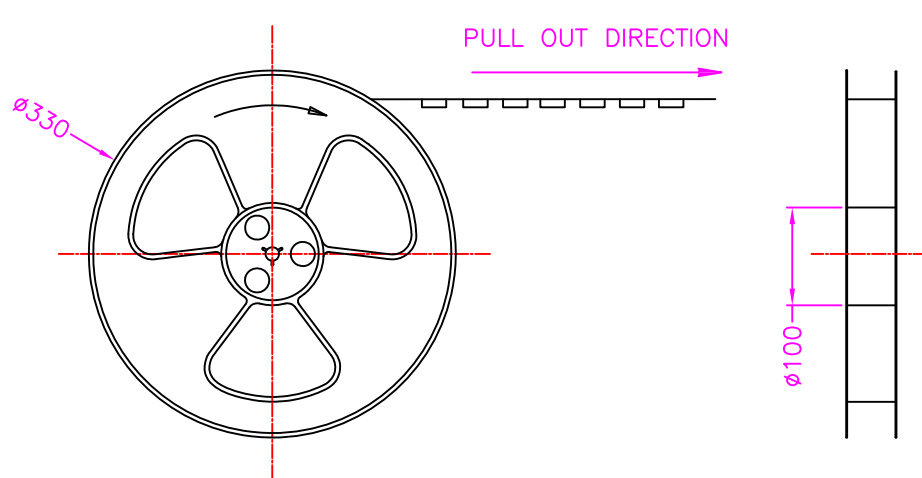
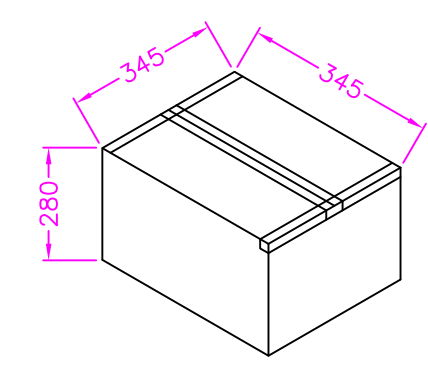
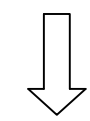
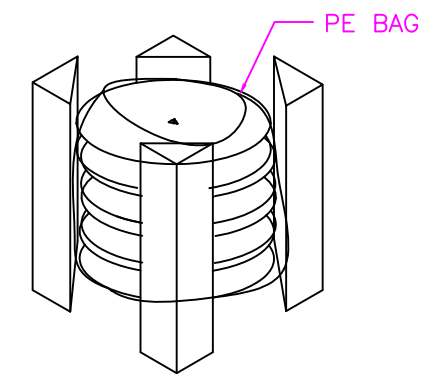
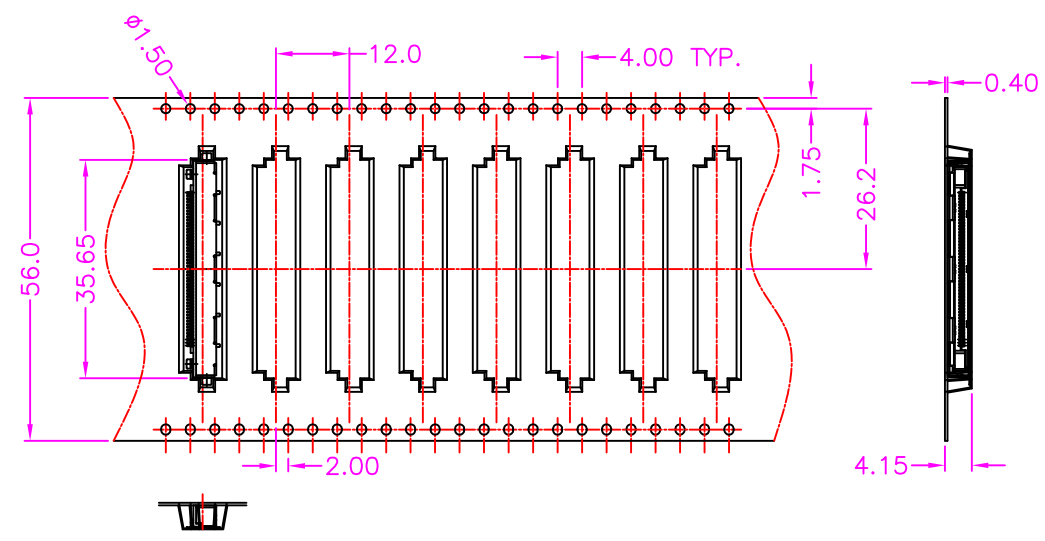
TOLERANCES	
X.±0.40	.XX±0.20
.X±0.30	.XXX±0.10



REV. A

DRAWN BY Zhong 2021/12/8  
 APPROVED BY Lion 2021/12/8

TITLE	LVDS 0.50mm PITCH, PCB MOUNT, SMT, 51PIN, FEMALE				
DRAW NO.	BLVDC-008	UNIT	MM	Sheet	1/2



NOTE: 1000PCS/REEL, 4000PCS/ 4 REEL/ CARTON

**Z** **ZICONN**  
ELECTRONIC CO., LTD.  
WWW.ZICONN.COM 886-3-4687695

TOLERANCES	
X.±0.40	.XX±0.20
.X±0.30	.XXX±0.10

REV.	A

DRAWN BY	Zhong 2021/12/8
APPROVED BY	Lion 2021/12/8

TITLE	LVDS 0.50mm PITCH, PCB MOUNT, SMT, 51PIN, FEMALE				
DRAW NO.	BLVDC-008	UNIT	MM	Sheet	2/2