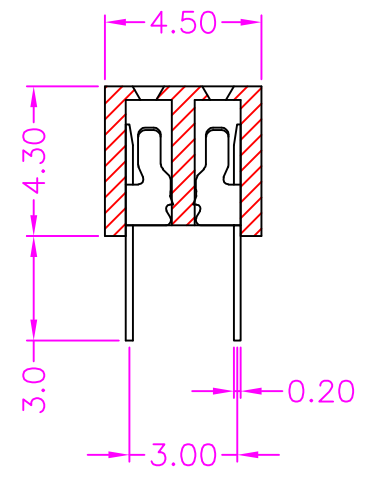
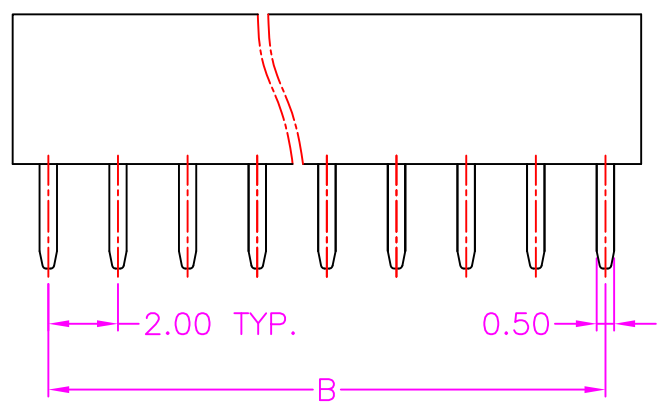


$A = (\text{NUMBER OF POS. PER ROW}) \times 2.00 + 0.30$
 $B = (\text{NUMBER OF POS PER ROW} - 1) \times 2.00$

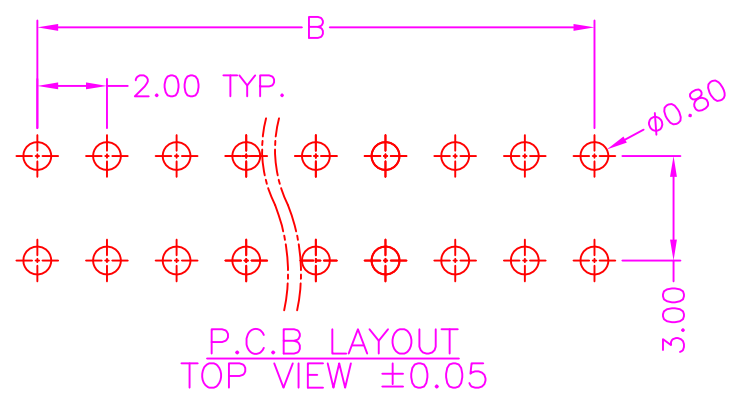


MATERIALS

HOUSING: HI-TEMP. PLASTIC (UL 94V-0), BLACK
 TERMINAL: COPPER ALLOY

SPECIFICATION

CURRENT RATING: 1 AMP MAX
 DIELECTRIC WITHSTANDING: 800V AC FOR ONE MINUTE
 CONTACT RESISTANCE: 30m OHMS MAX
 INSULATION RESISTANCE: 5000M OHMS MIN AT DC 500V
 OPERATION TEMPERATURE: -55°C ~ +105°C



PART NUMBER:
AFHBA - 2 * * * * - 1 * 2

SERIES ——— |
 DUAL ROWS ——— |
 NO. OF POS. PER ROW (02 ~ 40 POS.) ——— |
 CONTACT PLATED OPTION ——— |

PACKAGE OPTION
 3: TUBE
 4: BAG
 5: BOX

HOUSING OPTION
 BLANK: PA6T
 L: LCP

1: GOLD FLASH
 3: 3u" GOLD
 5: 5u" GOLD
 7: 15u" GOLD
 9: 30u" GOLD
 T: TIN

TOLERANCES	
X.±0.40	.XX±0.20
.X±0.30	.XXX±0.10

REV.	A	DRAWN BY	Zhong 2019/8/2
		APPROVED BY	Lion 2019/8/2

TITLE	FEMALE HEADER, 2.00 PITCH, PCB MOUNT, VERTICAL, DUAL ROWS				
DRAW NO.	AFHBA-002	UNIT	MM	Sheet	1/1