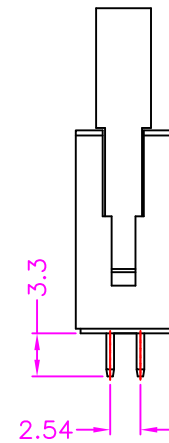
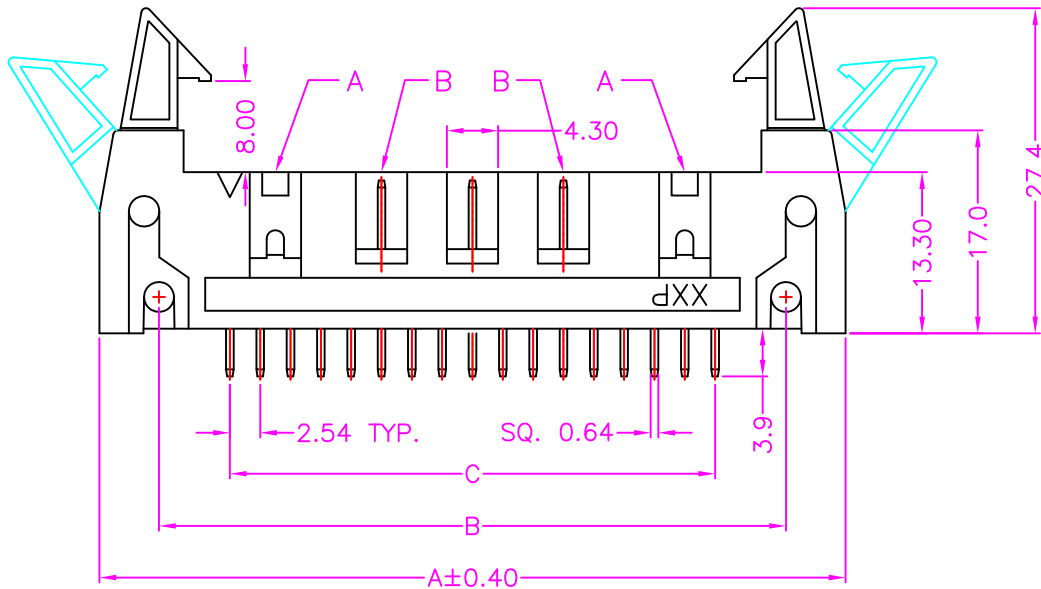


$$A = (\text{NUMBER OF POS. PER ROW}) \times 2.54 + 19.30$$

$$B = (\text{NUMBER OF POS. PER ROW}) \times 2.54 + 9.00$$

$$C = (\text{NUMBER OF POS. PER ROW} - 1) \times 2.54$$

6~16Pin WITHOUT A & B  
20~50Pin WITHOUT B

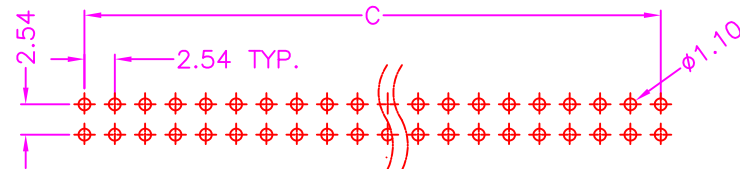
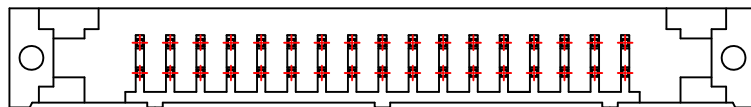
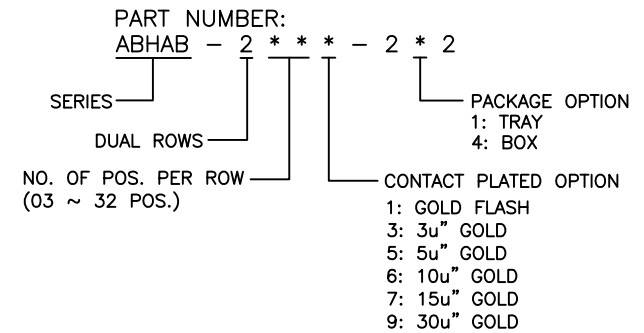


**MATERIALS**

HOUSING: THERMOPLASTIC (UL 94V-0)  
TERMINAL: COPPER ALLOY, GOLD PLATED

**SPECIFICATION**

CURRENT RATING: 3 AMP MAX  
DIELECTRIC WITHSTANDING: 1000V AC FOR ONE MINUTE  
INSULATION RESISTANCE: 5000M OHMS MIN AT DC 500V  
OPERATION TEMPERATURE: -55°C~+105°C



**P.C.B. LAYOUT  
TOP VIEW ±0.05**