

P.C.B. LAYOUT TOP VIEW ±0.05

PROHIBITION AREA

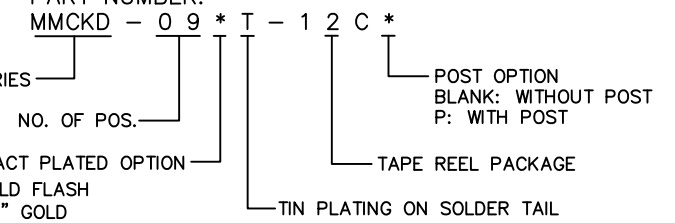
MATERIALS

HOUSING: HI-TEMP. PLASTIC (UL 94V-0), BLACK
 SHELL: STAINLESS STEEL, NICKEL PLATING
 PAD: STAINLESS STEEL, GOLD PLATING
 TERMINAL: COPPER ALLOY, GOLD PLATED ON CONTACT AREA
 TIN PLATING ON SOLDER TAIL

SPECIFICATION

CURRENT RATING: 0.5 AMP MAX
 DIELECTRIC WITHSTANDING: 500V AC FOR ONE MINUTE
 CONTACT RESISTANCE: 100m OHMS MAX
 INSULATION RESISTANCE: 1000M OHMS MIN AT DC 500V
 OPERATION TEMPERATURE: -40°C~+85°C

PART NUMBER:



- CONTACT PLATED OPTION
- 1: GOLD FLASH
 - 3: 3u" GOLD
 - 5: 5u" GOLD
 - 6: 10u" GOLD
 - 7: 15u" GOLD
 - 9: 30u" GOLD

CARD DETECTION SWITCH			
WITHOUT CARD		CARD INSERTED	
CD	GROUND	CD	GROUND

PIN	PIN ASSIGNMENT	PIN	PIN ASSIGNMENT
1	DAT2	6	VSS
2	CD/DAT3	7	DAT0
3	CMD	8	DAT1
4	VDD	9	CARD DETECT
5	CLK	10	GROUND

B	MODIFY PCB LAYOUT	2021.5.13
A	RELEASE	2020.1.8
REV.	DESCRIPTION	DATE

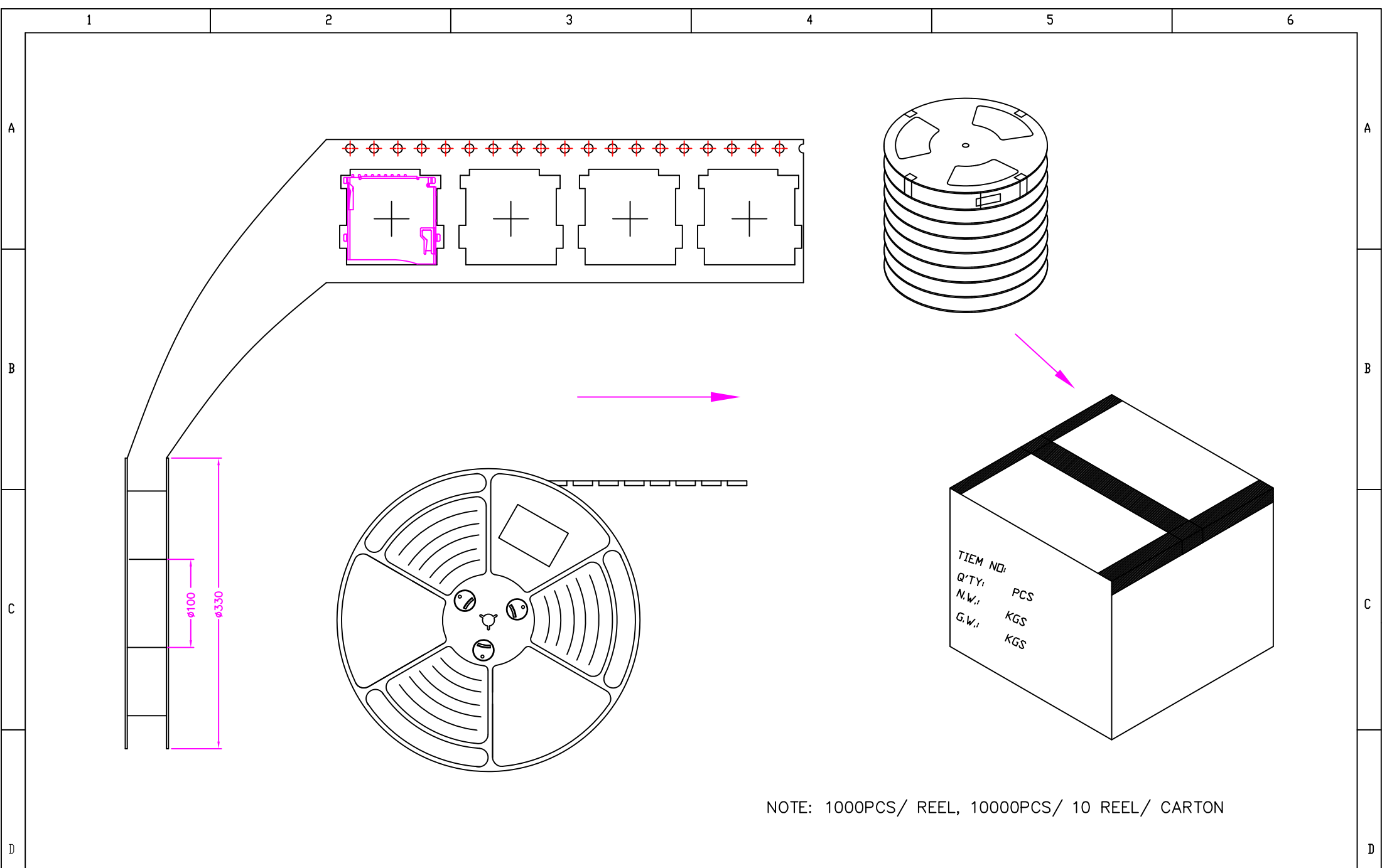
ZICONN ELECTRONIC CO., LTD.
 WWW.ZICONN.COM 886-3-4687695

TOLERANCES

X±0.40	.XX±0.20
.X±0.30	.XXX±0.10

REV.	B	DRAWN BY	Zhong 2020/1/8	TITLE	MICRO SD CARD, 9PIN, PCB MOUNT, SMT, METAL SHIELD, PUSH PUSH TYPE FEMALE, H=1.85mm
		APPROVED BY	Lion 2020/1/8	DRAW NO.	MMCKD-012

UNIT	MM	Sheet	1/2
------	----	-------	-----



NOTE: 1000PCS/ REEL, 10000PCS/ 10 REEL/ CARTON

Z ZICONN
 ELECTRONIC CO., LTD.
 WWW.ZICONN.COM 886-3-4687695

TOLERANCES	
X.±0.40	.XX±0.20
.X±0.30	.XXX±0.10

REV.	A

DRAWN BY	Zhong 2020/1/8
APPROVED BY	Lion 2020/1/8

TITLE	MICRO SD CARD, 9PIN, PCB MOUNT, SMT, METAL SHIELD, PUSH PUSH TYPE FEMALE, H=1.85mm
DRAW NO.	MMCKD-012

UNIT	MM	Sheet	2/2
------	----	-------	-----