

### MATERIALS

HOUSING: LCP (UL 94V-0), BLACK  
 SHELL: STAINLESS STEEL, NICKEL PLATING  
 TERMINAL: COPPER ALLOY, GOLD PLATING ON CONTACT AREA  
 TIN PLATING ON SOLDER TAIL

### SPECIFICATION

CURRENT RATING: 0.5 AMP MAX  
 DIELECTRIC WITHSTANDING: 500V AC FOR ONE MINUTE  
 CONTACT RESISTANCE: 30m OHMS MAX  
 INSULATION RESISTANCE: 100M OHMS MIN AT DC 100V  
 OPERATION TEMPERATURE: -40°C~+85°C

### PART NUMBER:

BDPDB - 2 0 \* T - 1 2 2

SERIES

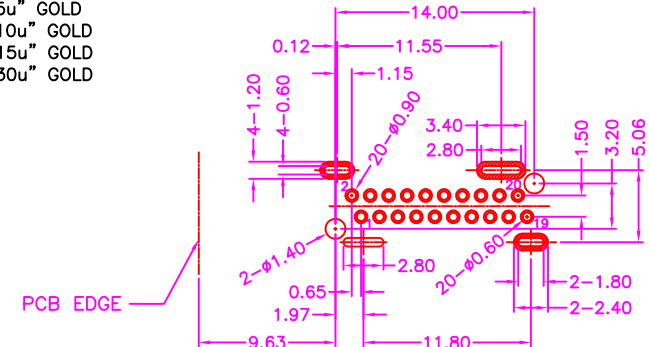
TRAY PACKAGE

NO. OF POS.

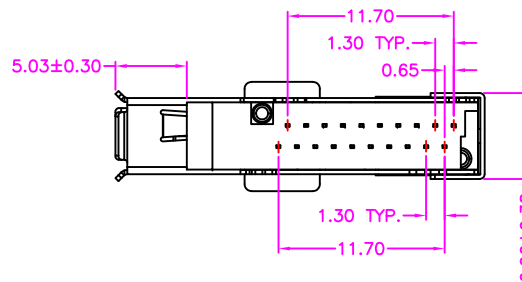
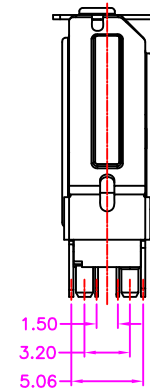
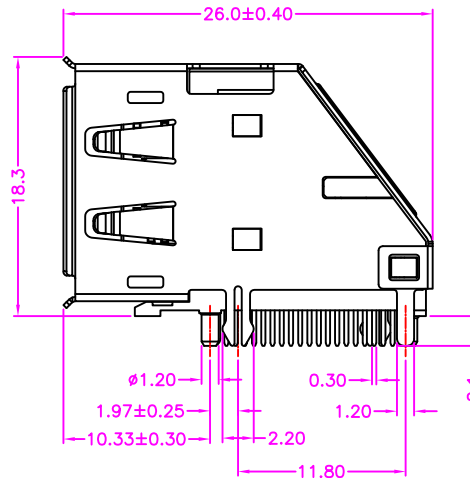
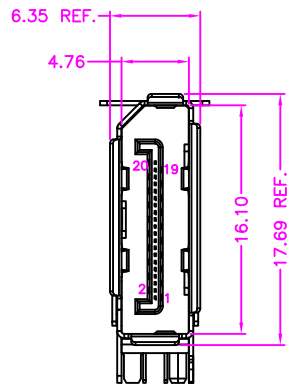
TIN PLATING ON SOLDER TAIL

### CONTACT PLATED OPTION

- 1: GOLD FLASH
- 3: 3u" GOLD
- 5: 5u" GOLD
- 6: 10u" GOLD
- 7: 15u" GOLD
- 9: 30u" GOLD



P.C.B. LAYOUT  
TOP VIEW ±0.05



### PIN ASSIGNMENTS

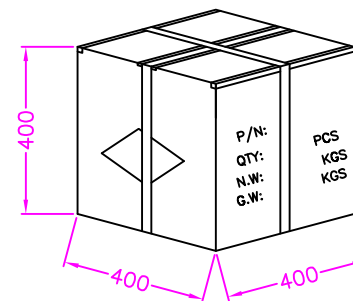
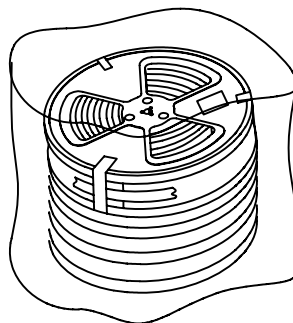
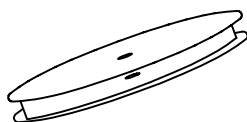
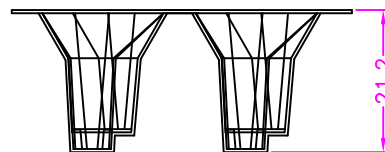
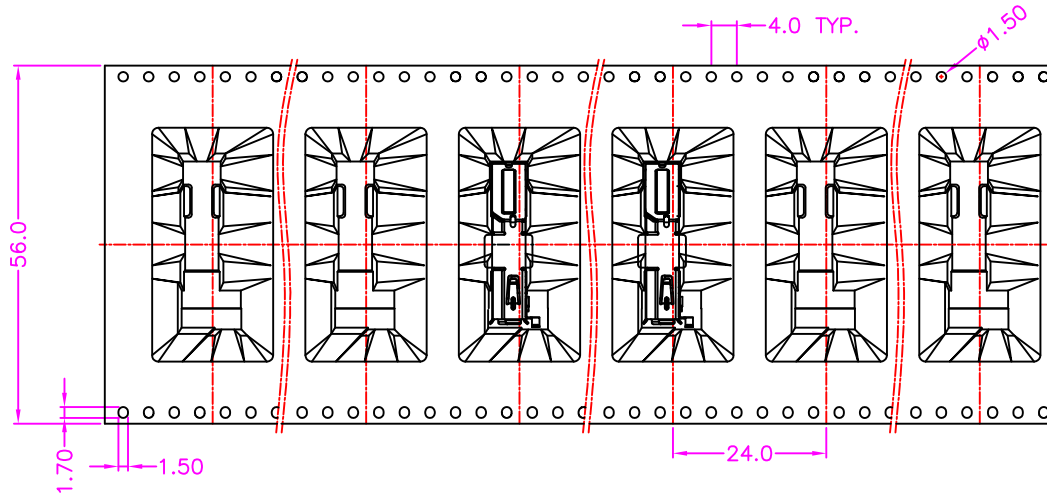
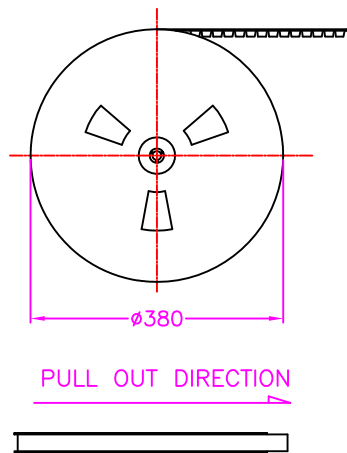
PIN NUMBER	SOURCE-SIDE PIN ASSIGNMENT	SINK-SIDE PIN ASSIGNMENT
PIN 1	ML_lane 0(p)	ML_lane 3(n)
PIN 2	GND	GND
PIN 3	ML_lane 0(n)	ML_lane 3(p)
PIN 4	ML_lane 1(p)	ML_lane 2(n)
PIN 5	GND	GND
PIN 6	ML_lane 1(n)	ML_lane 2(p)
PIN 7	ML_lane 2(p)	ML_lane 1(n)
PIN 8	GND	GND
PIN 9	ML_lane 2(n)	ML_lane 1(p)
PIN 10	ML_lane 3(p)	ML_lane 0(n)
PIN 11	GND	GND
PIN 12	ML_lane 3(n)	ML_lane 0(p)
PIN 13	CONFIG1	CONFIG1
PIN 14	CONFIG2	CONFIG2
PIN 15	AUX CH (p)	AUX CH (p)
PIN 16	GND	GND
PIN 17	AUX CH (n)	AUX CH (n)
PIN 18	HOT PLUG DETECT	HOT PLUG DETECT
PIN 19	RETURN	RETURN
PIN 20	DP PWR	DP PWR



TOLERANCES	
X.±0.40	.XX±0.20
.X±0.30	.XXX±0.10

REV.	A	DRAWN BY	Frank 2022/12/20
		APPROVED BY	Lion 2022/12/20

TITLE	DISPLAY PORT, PCB MOUNT, UPRIGHT, METAL SHIELD WITH POST, FEMALE				
DRAW NO.	BDPDB-002	UNIT	MM	Sheet	1/2



NOTE: 170PCS/REEL, 1020PCS/ 6 REEL/CARTON