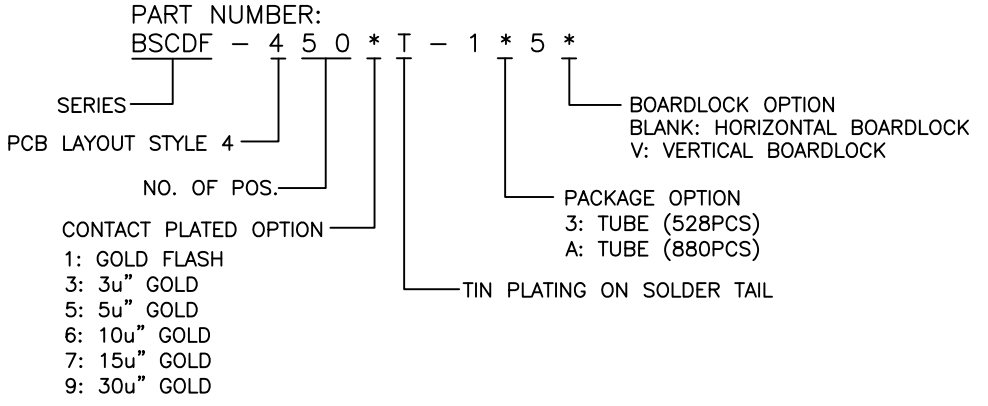
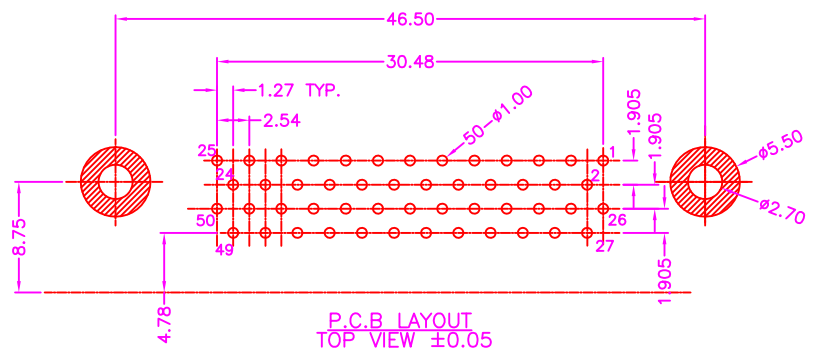
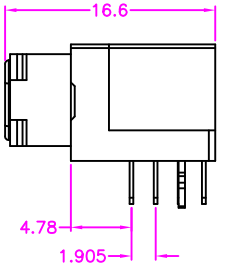
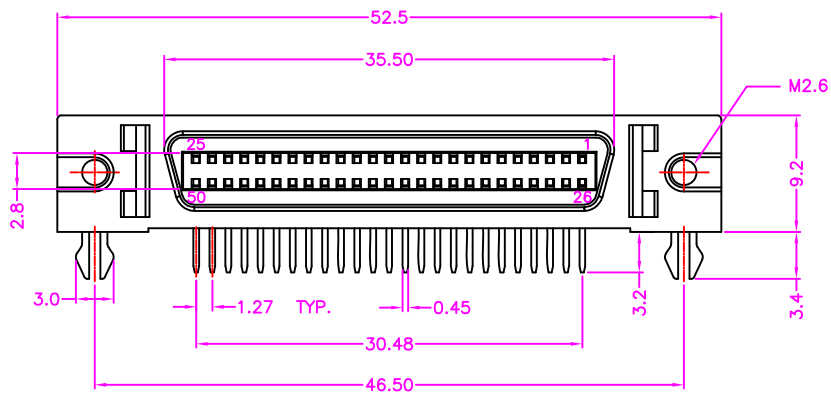


MATERIALS

HOUSING: PBT (UL 94V-0), BLACK
 COVER: LCP (UL 94V-0), BLACK
 SHELL: ZING ALLOY, NICKEL PLATING
 BOARD LOCK: COPPER ALLOY, TIN PLATING
 TERMINAL: COPPER ALLOY, GOLD PLATED ON CONTACT AREA
 TIN PLATING ON SOLDER TAIL

SPECIFICATION

CURRENT RATING: 0.5 AMP MAX
 DIELECTRIC WITHSTANDING: 500V AC FOR ONE MINUTE
 CONTACT RESISTANCE: 30m OHMS MAX
 INSULATION RESISTANCE: 1000M OHMS MIN AT DC 500V
 OPERATION TEMPERATURE: -55°C~+85°C

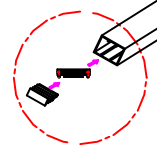
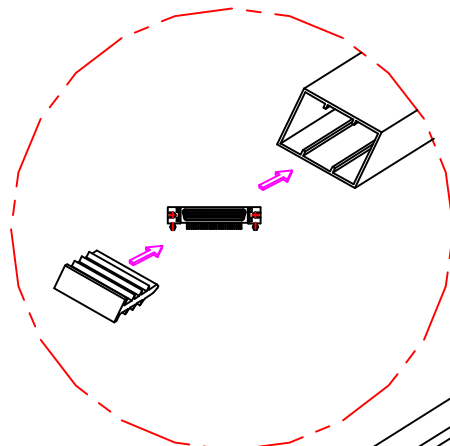


TOLERANCES

X.±0.40	.XX±0.20
.X±0.30	.XXX±0.10

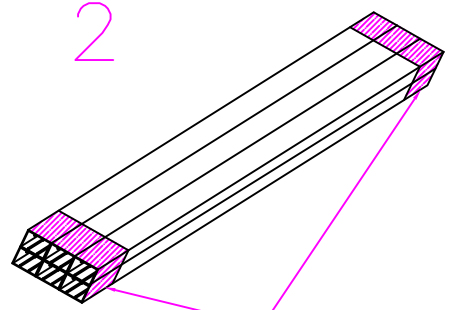
REV.	A	DRAWN BY	Zhong 2020/5/15	TITLE	SCSI CENTRONIC, 1.27mm PITCH, PCB MOUNT, R/A METAL SHIELD WITH BOARDLOCK & LATCH, 50PIN, FEMALE				
		APPROVED BY	Lion 2020/5/15	DRAW NO.	BSCDF-005	UNIT	MM	Sheet	1/3

1



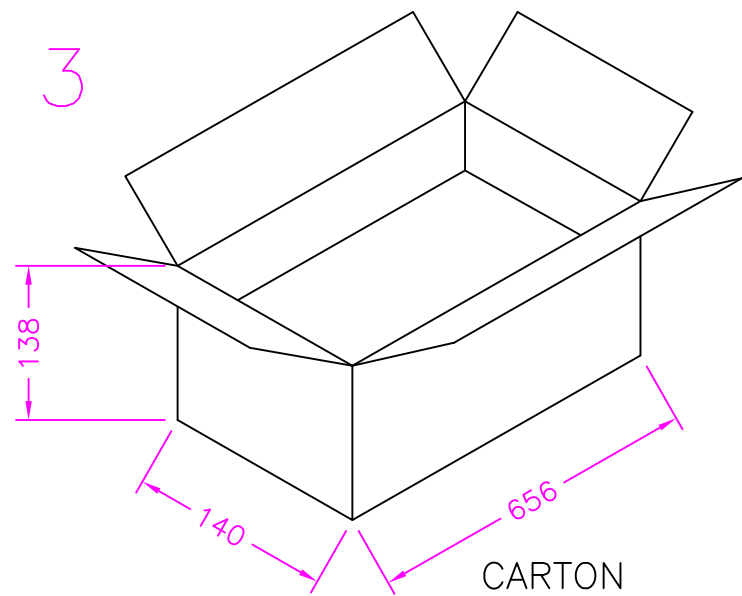
TUBE

2



PE FILM

3



CARTON

NOTE: 11PCS/ TUBE, 528PCS/ 48 TUBE/ CARTON
 PART NUMBER: BSCDF-450*T-135*

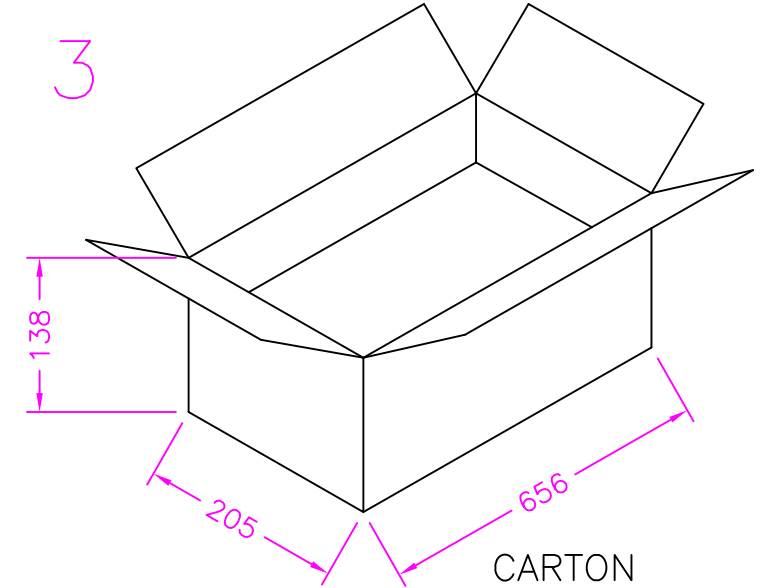
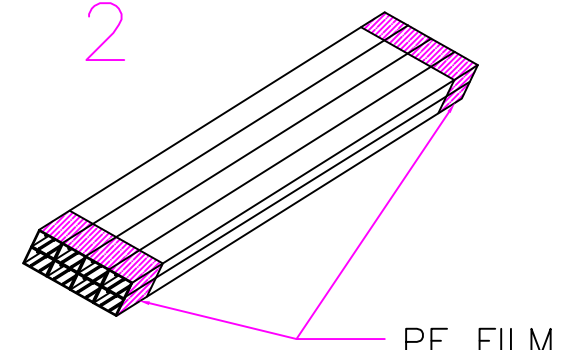
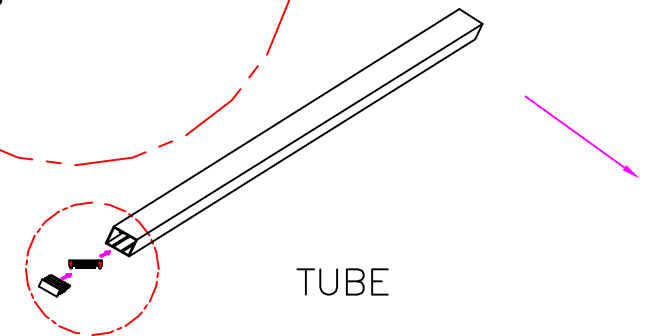
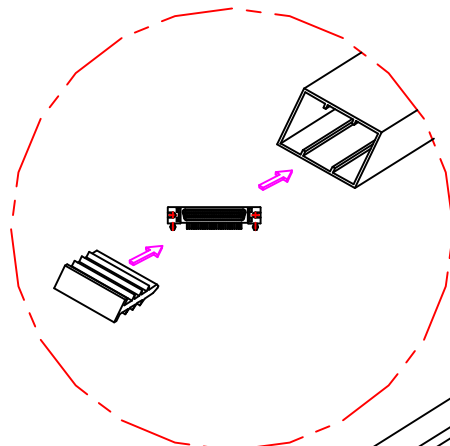
ZICONN
 ELECTRONIC CO., LTD.
 WWW.ZICONN.COM 886-3-4687695

TOLERANCES	
X.±0.40	.XX±0.20
.X±0.30	.XXX±0.10

REV.	A

DRAWN BY	Zhong 2020/5/15
APPROVED BY	Lion 2020/5/15

TITLE	SCSI CENTRONIC, 1.27mm PITCH, PCB MOUNT, R/A METAL SHIELD WITH BOARDLOCK & LATCH, 50PIN, FEMALE				
DRAW NO.	BSCDF-005	UNIT	MM	Sheet	2/3



NOTE: 11PCS/ TUBE, 880PCS/ 80 TUBE/ CARTON
 PART NUMBER: BSCDF-450*T-1A5*