

MATERIALS

HOUSING: LCP (UL 94V-0), BLACK
 FORK: COPPER ALLOY, TIN PLATING
 TERMINAL: COPPER ALLOY, GOLD PLATED ON CONTACT AREA
 TIN PLATING ON SOLDER TAIL

SPECIFICATION

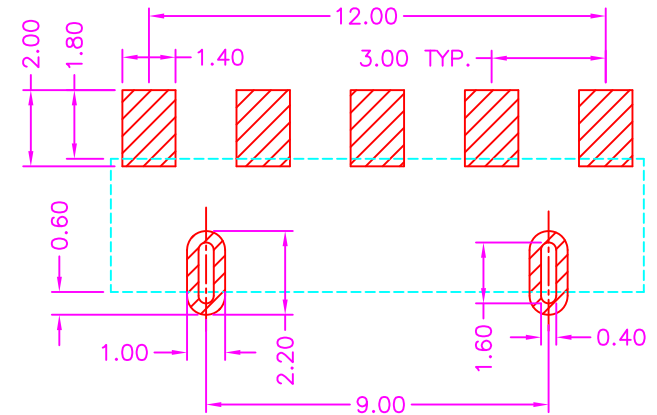
CURRENT RATING: 2 AMP MAX
 DIELECTRIC WITHSTANDING: 500V AC FOR ONE MINUTE
 INSULATION RESISTANCE: 500M OHMS MIN AT DC 250V
 OPERATION TEMPERATURE: -40°C~+85°C

PART NUMBER:

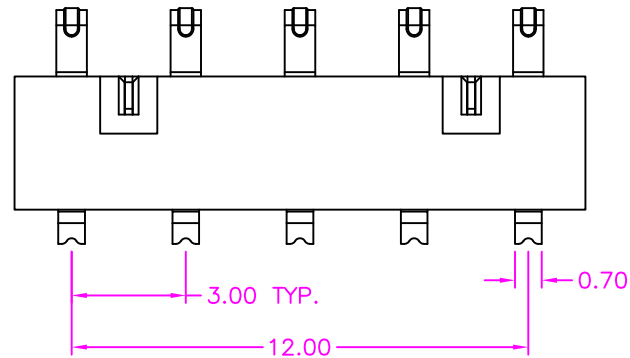
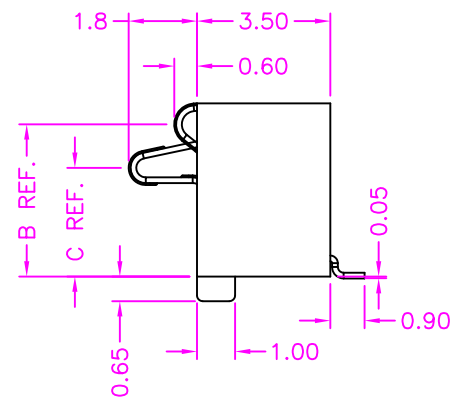
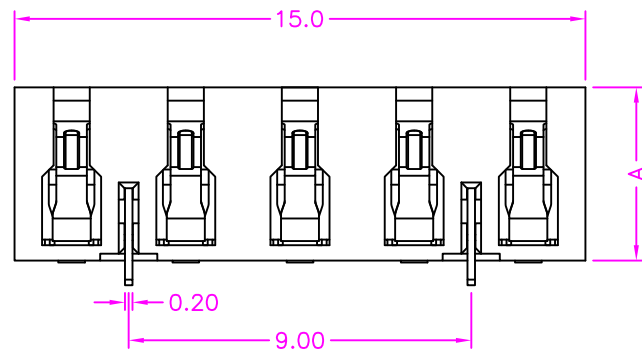
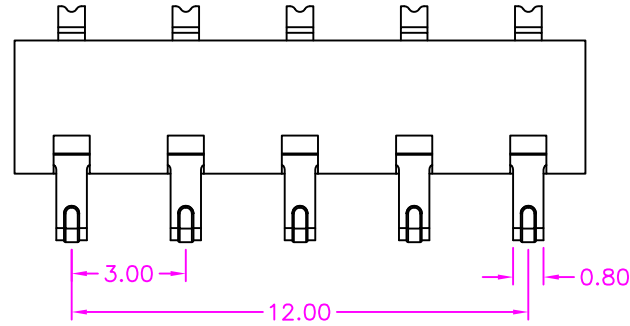
ABTDZ - 0 5 * T - 1 2 1 *
 SERIES NO. OF POS. DIM. A & B & C OPTION REF. TABLE

TAPE REEL PACKAGE
 CONTACT PLATED OPTION TIN PLATING ON SOLDER TAIL

- 1: GOLD FLASH
- 3: 3u" GOLD
- 5: 5u" GOLD
- 6: 10u" GOLD
- 7: 15u" GOLD
- 9: 30u" GOLD



**P.C.B LAYOUT
 TOP VIEW ±0.05**



TABLE

P/N	A	B	C
A	4.6	2.9	3.9
B	5.0	3.3	4.3
C	6.5	4.8	5.8
D	7.2	5.5	6.5