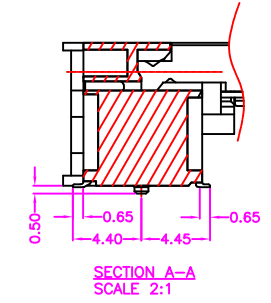
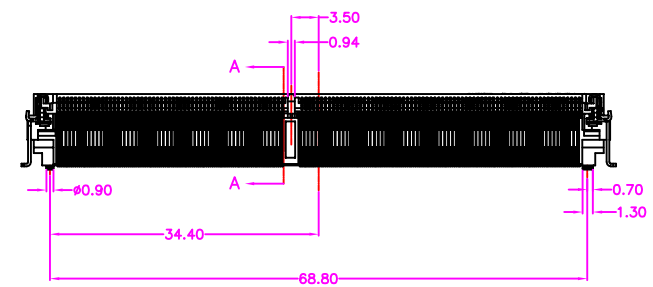


MATING: ① INSERTING(25°) ② ROTATING ③ FIXED
 UNMATING: ④ UNFIXED ⑤ ROTATING ⑥ WITHDRAWING



MATERIALS

HOUSING: HI-TEMP. PLASTIC (UL 94V-0), BLACK
 LATCH: STAINLESS STEEL
 TERMINAL: COPPER ALLOY, GOLD PLATED

SPECIFICATION

CURRENT RATING: 0.5 AMP MAX
 DIELECTRIC WITHSTANDING: 250V AC FOR ONE MINUTE
 CONTACT RESISTANCE: 30m OHMS MAX
 INSULATION RESISTANCE: 500M OHMS MIN AT DC 500V
 OPERATION TEMPERATURE: -55°C~+85°C

PART NUMBER:

MMSVF - 2 6 0 * - 1 2 1

SERIES — NO. OF POS. — TAPE REEL PACKAGE

CONTACT PLATED OPTION

- 1: GOLD FLASH
- 2: 2u" GOLD
- 3: 3u" GOLD
- 5: 5u" GOLD
- 6: 10u" GOLD
- 7: 15u" GOLD
- 9: 30u" GOLD

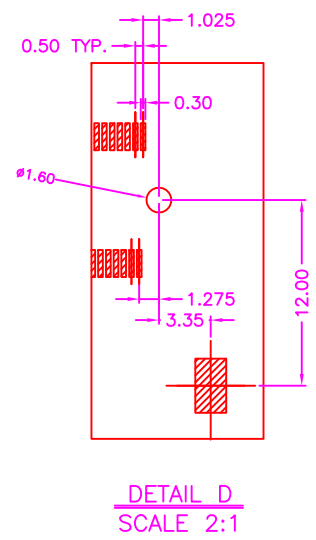
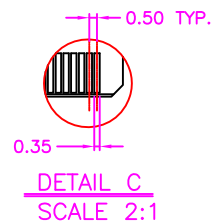
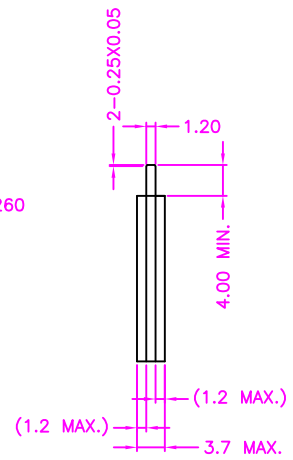
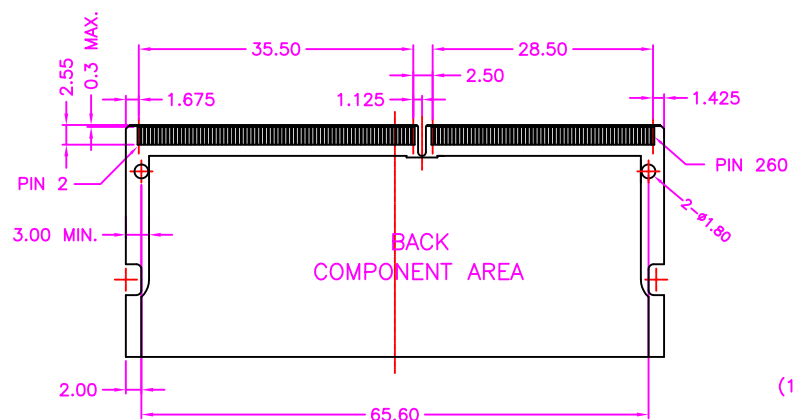
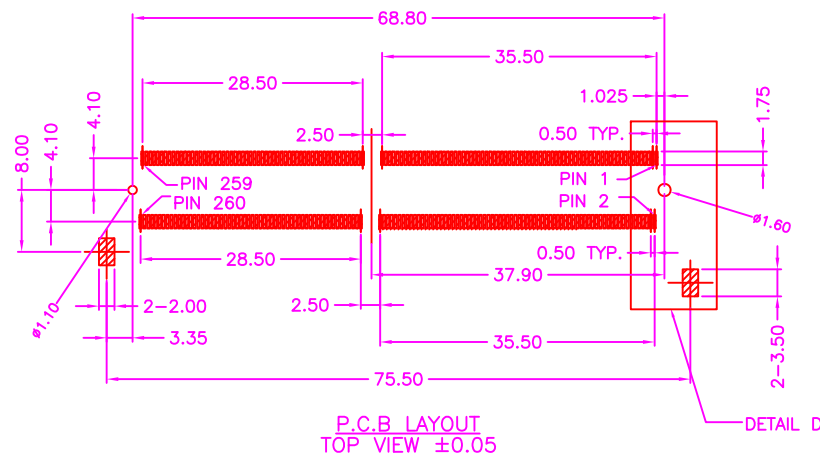
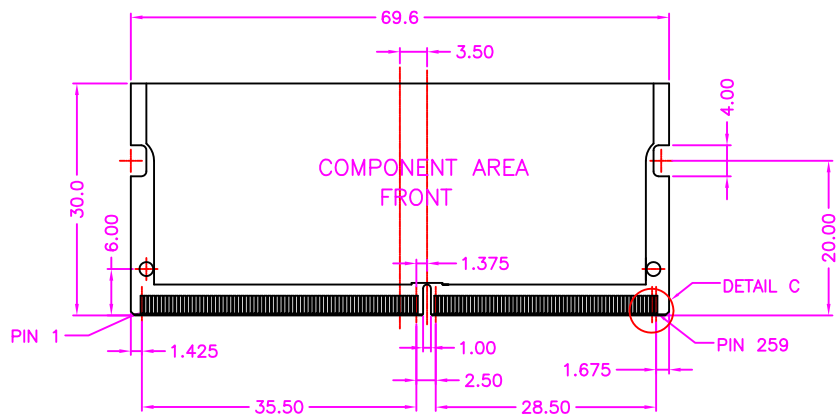


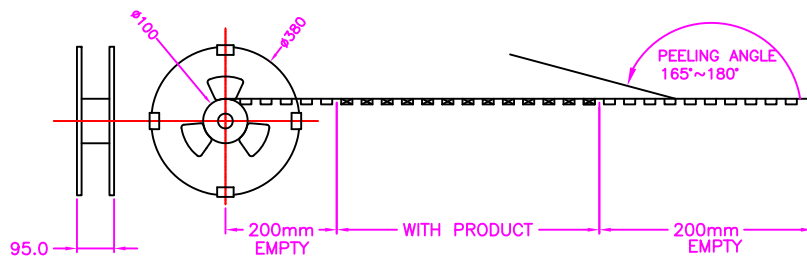
TOLERANCES	
X.±0.40	.XX±0.20
.X±0.30	.XXX±0.10

REV.	A

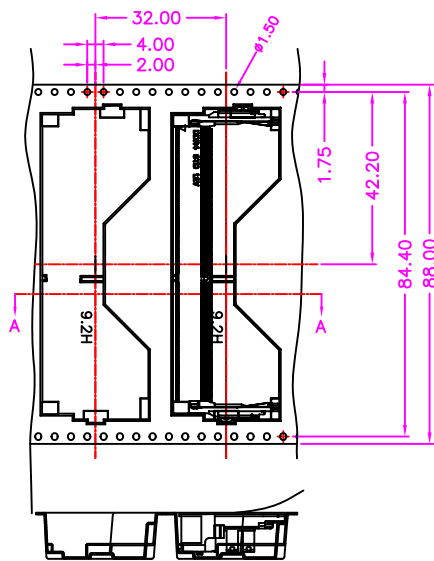
DRAWN BY	Zhong 2021/5/18
APPROVED BY	Lion 2021/5/18

TITLE	DDR IV S.O. DIMM SOCKET 260 PIN, 0.50mm PITCH, PCB MOUNT, SMT WITH LATCH & POST, H=9.20mm, FEMALE				
DRAW NO.	MMSVF-001	UNIT	MM	Sheet	1/3

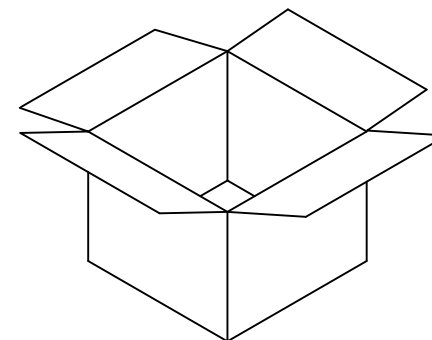
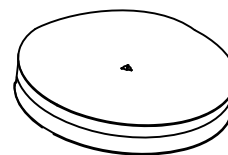




PULL OUT DIRECTION →



SECTION A-A



NOTE: 250PCS/ REEL, 500PCS/ 2 REEL/ CARTON