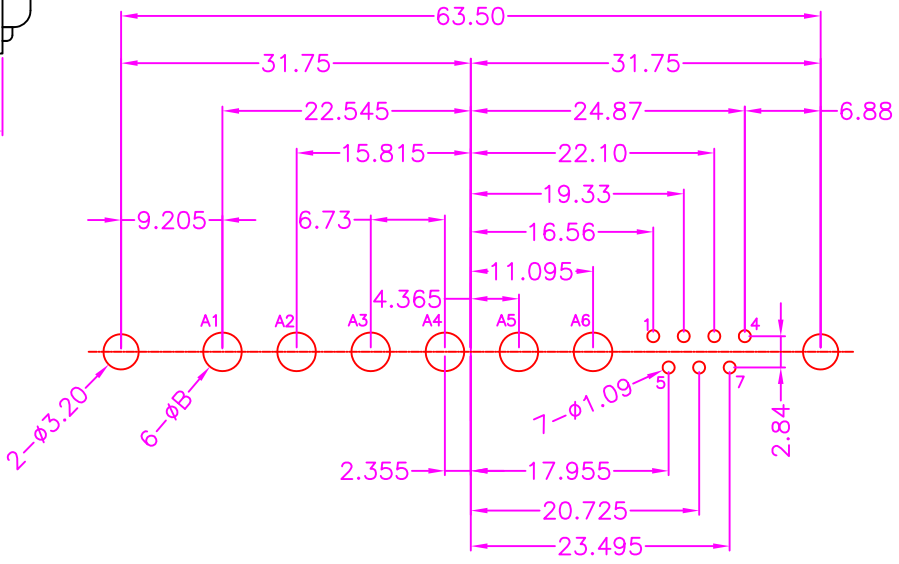
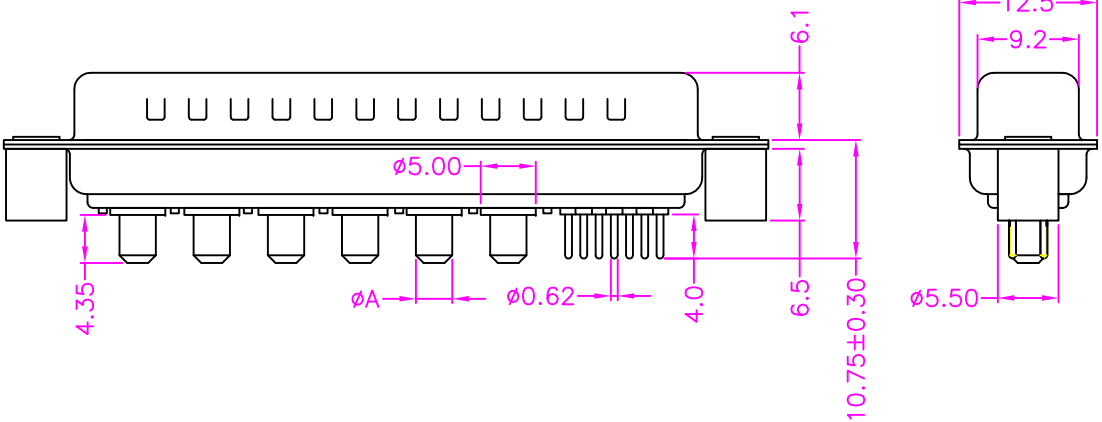


MATERIALS

HOUSING: PBT (UL 94V-0), BLACK
 SHELL: SPCC, NICKEL PLATING
 REAR ROUND RIVET: SPCC, NICKEL PLATING
 POWER PIN: COPPER ALLOY, GOLD PLATED
 SIGNAL PIN: COPPER ALLOY, GOLD PLATED

SPECIFICATION

CURRENT RATING
 SIGNAL: 5 AMP MAX
 POWER: 30 AMP MAX
 DIELECTRIC WITHSTANDING: 1000V AC FOR ONE MINUTE
 CONTACT RESISTANCE: 30m OHMS MAX
 INSULATION RESISTANCE: 1000M OHMS MIN AT DC 500V
 OPERATION TEMPERATURE: -55°C~+125°C



P.C.B. LAYOUT
 TOP VIEW ±0.05

PART NUMBER:
BDBRA - 1 3 W 6 * - 2 1 C *

SERIES ——— PART NUMBER ——— CURRENT RATING
 1 3 W 6 * ——— 2 1 C * ———
 TRAY PACKAGE

CONTACT PLATED OPTION ———
 1: GOLD FLASH
 3: 3u" GOLD
 5: 5u" GOLD
 6: 10u" GOLD
 7: 15u" GOLD
 9: 30u" GOLD

TABLE

P/N	AMPERE	ØA	ØB
A	10	1.80	2.00
B	20	2.80	3.00
C	30	3.30	3.50
D	40	3.80	4.00



TOLERANCES
 X.±0.40 .XX±0.20
 .X±0.30 .XXX±0.10

REV. A DRAWN BY Kiki 2023/2/17 TITLE
 APPROVED BY Lion 2023/2/17 DRAW NO.

COAX. D-SUB, PCB MOUNT, VERTICAL, METAL SHIELD
 MACHINE PIN, 13W6, MALE

BDBRA-012 UNIT MM Sheet 1/1