

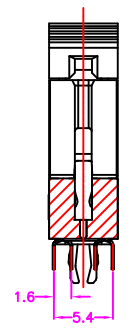
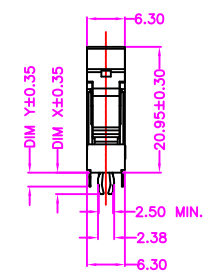
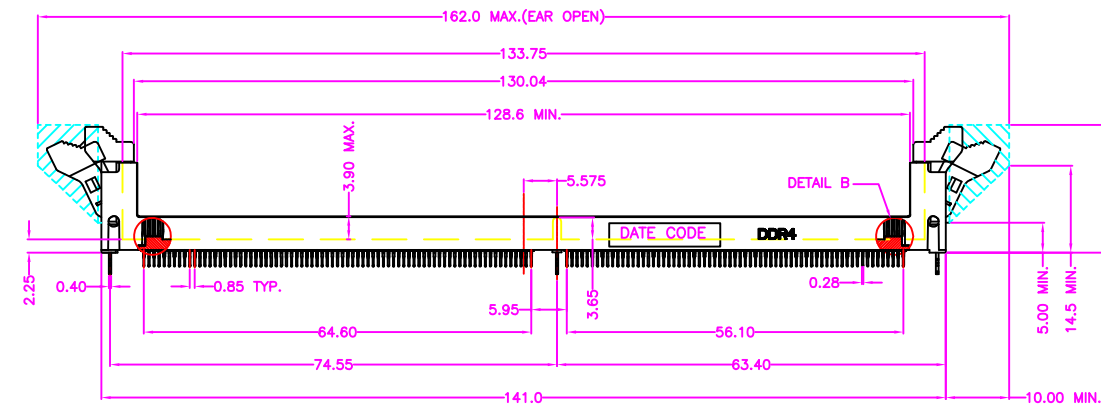
DETAIL B  
SCALE: 4:1

**MATERIALS**

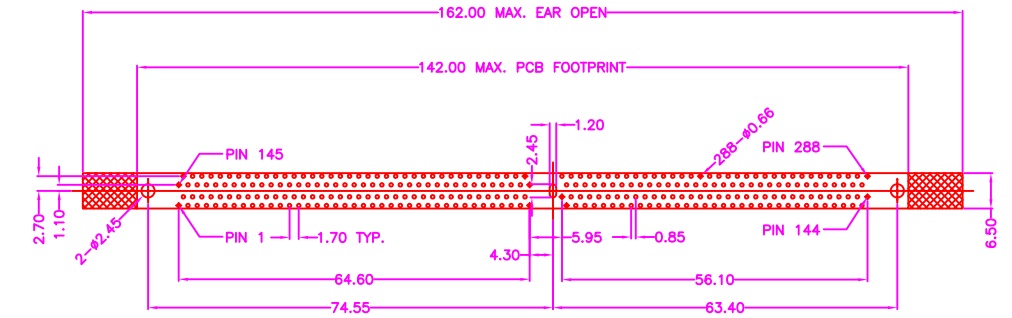
HOUSING: THERMOPLASTIC (UL 94V-0)  
 EJECTOR: THERMOPLASTIC (UL 94V-2)  
 BOARDLOCK: COPPER ALLOY, TIN PLATING  
 TERMINAL: COPPER ALLOY, GOLD PLATED ON CONTACT AREA  
 TIN PLATING ON SOLDER TAIL

**SPECIFICATION**

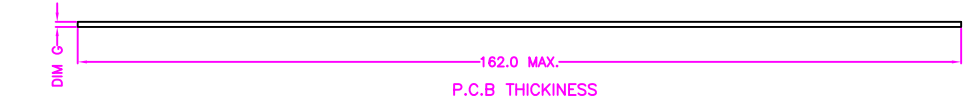
CURRENT RATING: 0.5 AMP MAX  
 DIELECTRIC WITHSTANDING: 250V AC FOR ONE MINUTE  
 CONTACT RESISTANCE: 30m OHMS MAX  
 INSULATION RESISTANCE: 500M OHMS MIN AT DC 500V  
 OPERATION TEMPERATURE: -40°C~+85°C



SECTION A-A  
SCALE: 2:1



P.C.B. LAYOUT  
TOP VIEW ±0.05



P.C.B. THICKNESS

**PART NUMBER:**  
**MMSEA - 2 8 8 \* T - 1 1 2 \* \* \* \***

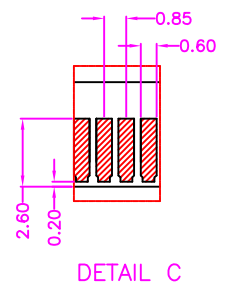
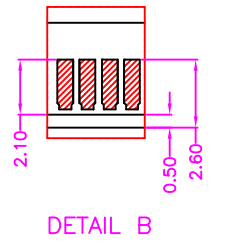
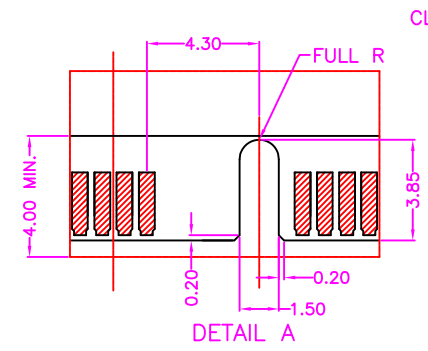
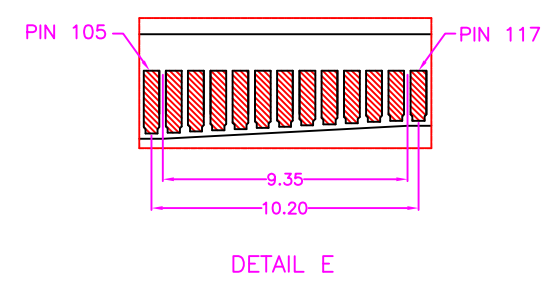
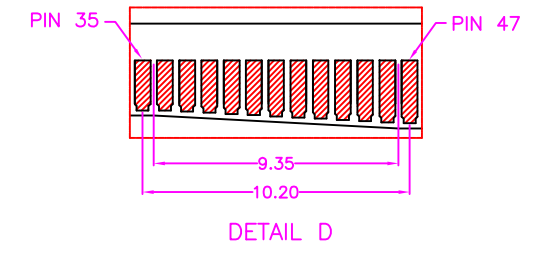
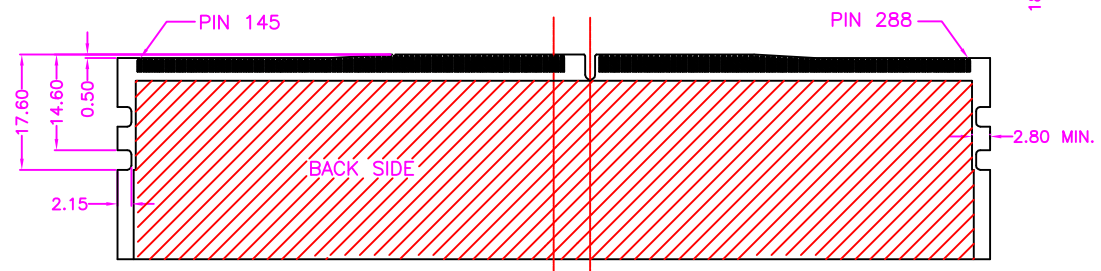
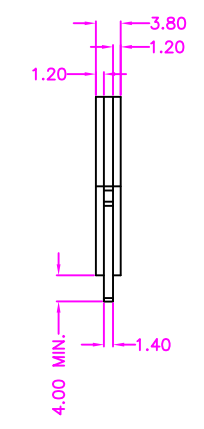
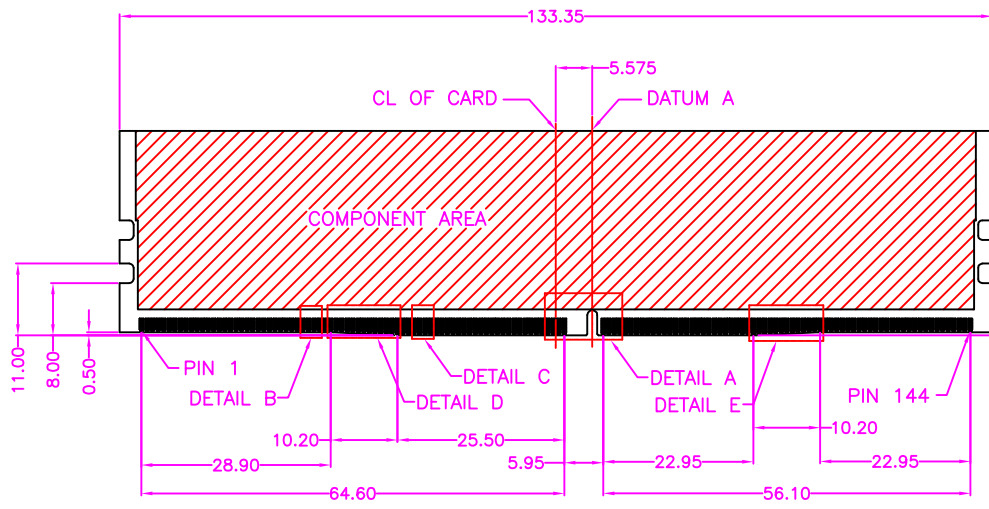
SERIES: MMSEA  
 NO. OF POS.: 2 8 8  
 CONTACT PLATED OPTION: \*  
 T: T  
 TRAY PACKAGE: -  
 1 1 2: DIM "Y" TERMINAL TAIL OPTION  
 \* \* \* \*: DIM "X" BOARDLOCK LENGTH OPTION

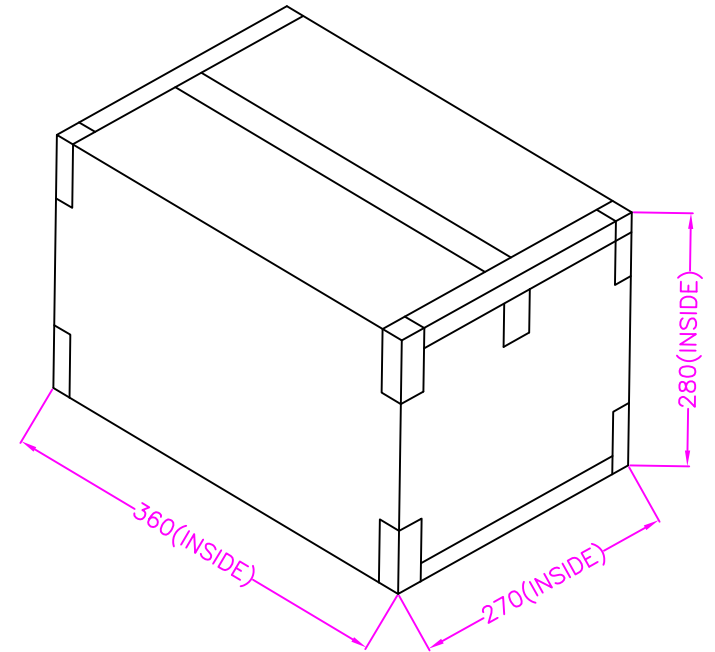
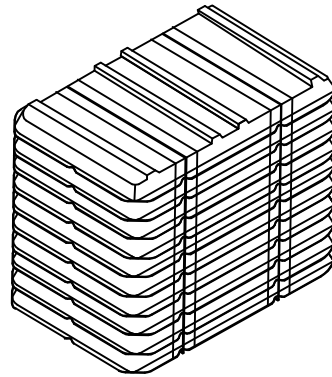
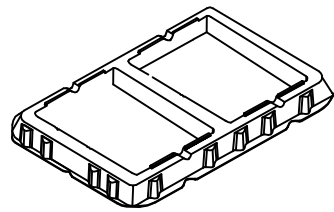
EJECTOR COLOR OPTION  
 BLANK: BLACK  
 W: WHITE  
 R: RED  
 G: GREEN  
 BL: BLUE

HOUSING COLOR OPTION  
 BLANK: BLACK  
 W: WHITE  
 R: RED  
 G: GREEN  
 BL: BLUE  
 BR: BROWN

DIM "Y" TERMINAL TAIL OPTION  
 A: 2.10mm (PCB DIM "G": 1.40 OR 1.60mm)  
 B: 2.40mm (PCB DIM "G": 1.60mm)  
 C: 2.70mm (PCB DIM "G": 1.60mm)  
 D: 3.10mm (PCB DIM "G": 2.40mm)

DIM "X" BOARDLOCK LENGTH OPTION  
 A: 3.57mm (PCB DIM "G": 1.40mm OR 1.60mm)  
 B: 3.85mm (PCB DIM "G": 2.40mm)





NOTE: 50PCS/TRAY, 500PCS/ 10 TRAY/ BOX



TOLERANCES  
 X.±0.40 .XX±0.20  
 .X±0.30 .XXX±0.10

REV.	A	DRAWN BY	Kiki 2023/2/15
		APPROVED BY	Lion 2023/2/15

TITLE	DDR IV DIMM SOCKET 288PIN, 0.85mm PITCH, PCB MOUNT, VERTICAL WITH LATCH & BOARDLOCK, FEMALE				
DRAW NO.	MMSEA-002	UNIT	MM	Sheet	3/3