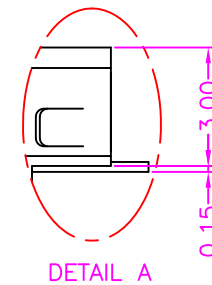


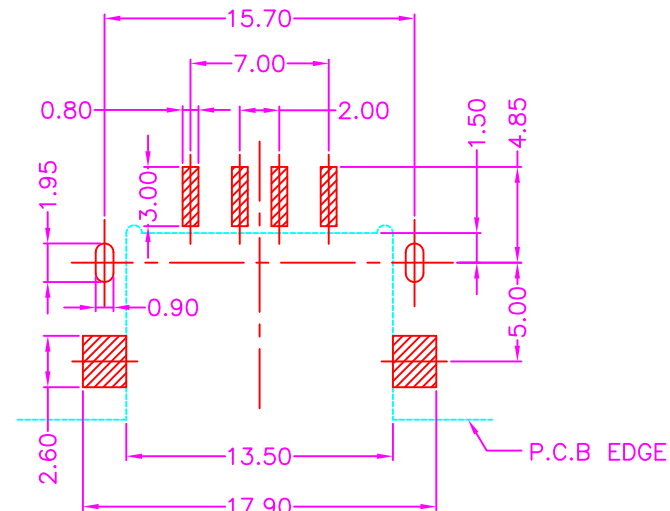
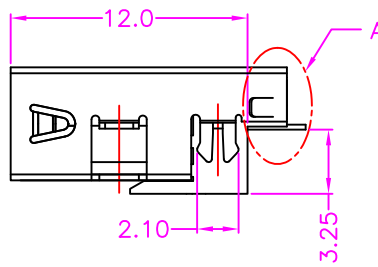
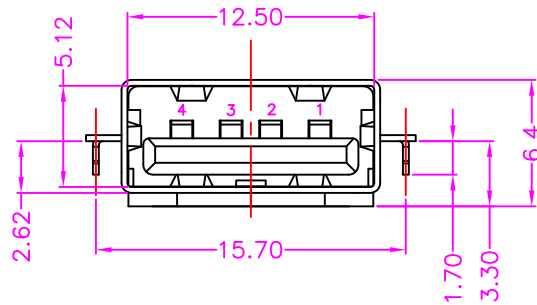
**MATERIALS**

HOUSING: LCP (UL 94V-0), BLACK  
 SHELL: COPPER ALLOY OR SPCC, NICKEL PLATING  
 TERMINAL: COPPER ALLOY, GOLD PLATED ON CONTACT AREA  
 TIN PLATING ON SOLDER TAIL

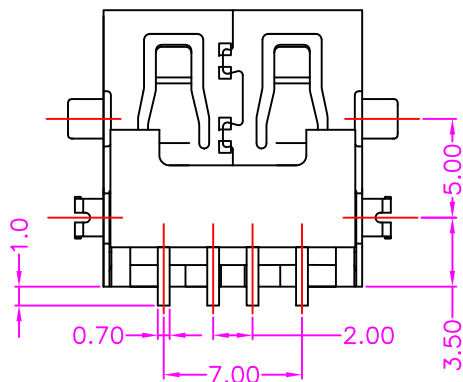


**SPECIFICATION**

CURRENT RATING: 1.5 AMP MAX  
 DIELECTRIC WITHSTANDING: 500V AC FOR ONE MINUTE  
 CONTACT RESISTANCE: 30m OHMS MAX  
 INSULATION RESISTANCE: 1000M OHMS MIN AT DC 500V  
 OPERATION TEMPERATURE: -40°C~+85°C



P.C.B LAYOUT  
 TOP VIEW ±0.05



PART NUMBER:  
**BUSAK - 0 4 \* T \* - 1 \* 2**

SERIES ————  
 NO. OF POS. ————  
 CONTACT PLATED OPTION ————  
 1: GOLD FLASH  
 3: 3u" GOLD  
 5: 5u" GOLD  
 6: 10u" GOLD  
 7: 15u" GOLD  
 9: 30u" GOLD

PACKAGE OPTION  
 1: TRAY  
 2: TAPE REEL

SHELL MATERIAL OPTION  
 BLANK: COPPER ALLOY  
 P: SPCC

TIN PLATING ON SOLDER TAIL