

PART NUMBER:
 RSABE - 5 * 1 - 1 4 1 * *

SERIES — 50 OHM —

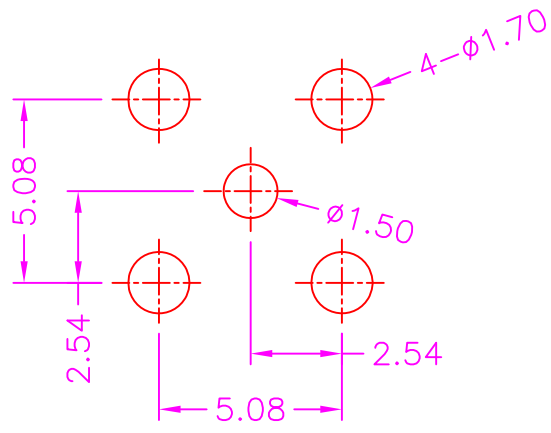
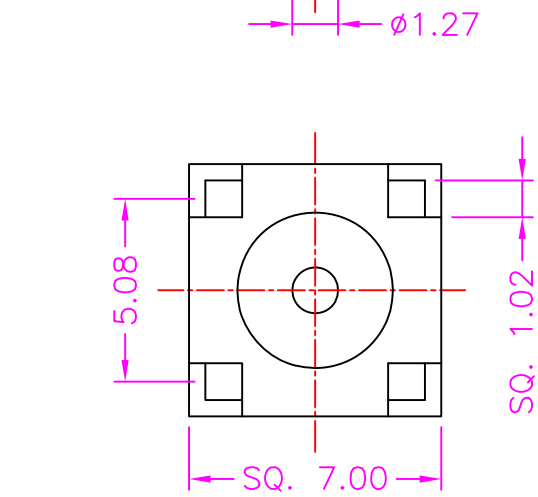
CONTACT PLATED OPTION —

PIN OPTION
 BLANK: FEMALE PIN
 M: MALE PIN

"A" LENGTH OPTION
 A: 15.00mm
 B: 17.00mm

BAG PACKAGE

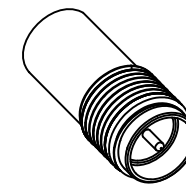
1: GOLD FLASH
 3: 3u" GOLD
 5: 5u" GOLD
 6: 10u" GOLD
 9: 30u" GOLD



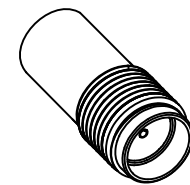
P.C.B. LAYOUT
 TOP VIEW ±0.05

MATERIALS

HOUSING: TEFLON (UL 94V-0), WHITE
 SHELL: COPPER ALLOY, GOLD PLATING
 TERMINAL: COPPER ALLOY, GOLD PLATED



MALE PIN



FEMALE PIN