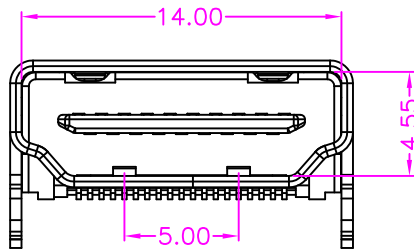
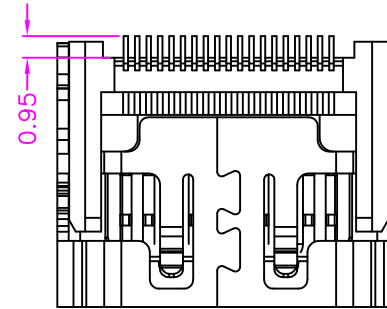
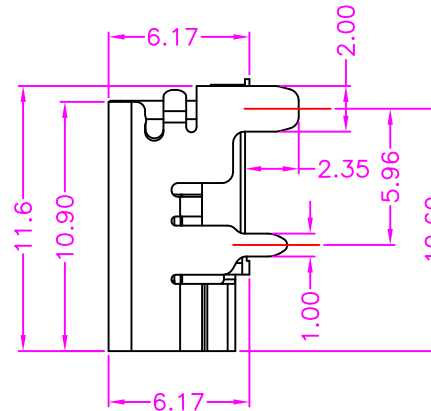
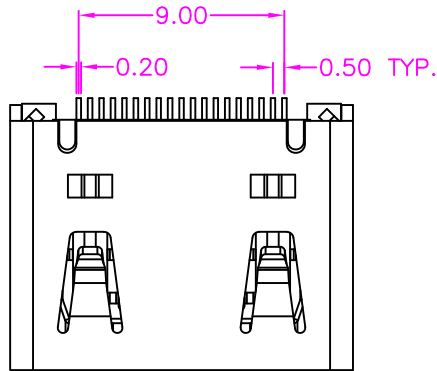


P.C.B. LAYOUT
TOP VIEW ±0.05



MATERIALS

HOUSING: HI-TEMP. PLASTIC (UL 94V-0)
 SHELL: COPPER ALLOY OR SPCC, NICKEL PLATING
 TERMINAL: COPPER ALLOY, GOLD PLATED ON CONTACT AREA
 TIN PLATING ON SOLDER TAIL

SPECIFICATION

CURRENT RATING: 0.5 AMP MAX
 DIELECTRIC WITHSTANDING: 500V AC FOR ONE MINUTE
 CONTACT RESISTANCE: 30m OHMS MAX
 INSULATION RESISTANCE: 100M OHMS MIN AT DC 500V
 OPERATION TEMPERATURE: -40°C~+85°C

PART NUMBER:

BHDBA - 1 9 * T * - 1 2 5

SERIES

NO. OF POS.

CONTACT PLATED OPTION

- 1: GOLD FLASH
- 3: 3u" GOLD
- 5: 5u" GOLD
- 7: 15u" GOLD
- 9: 30u" GOLD

TAPE REEL PACKAGE

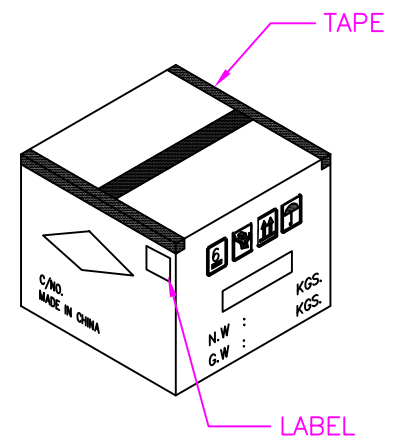
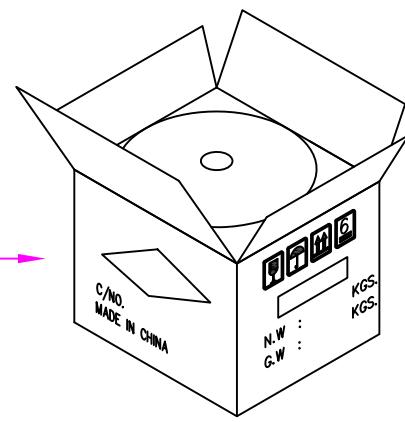
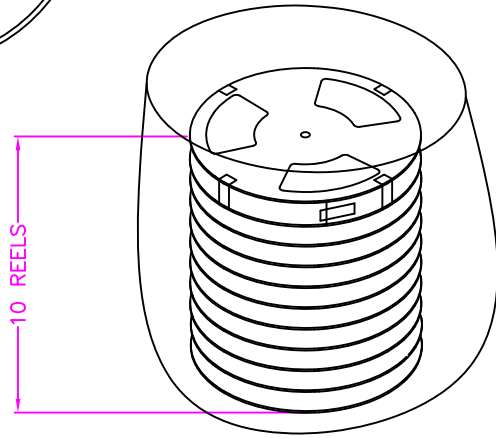
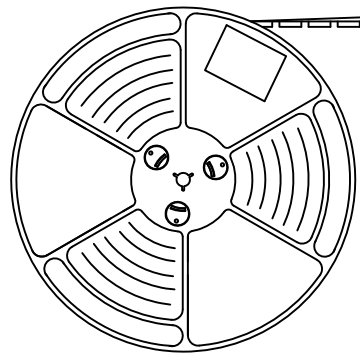
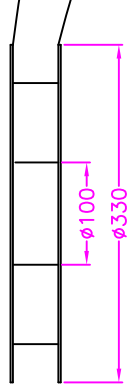
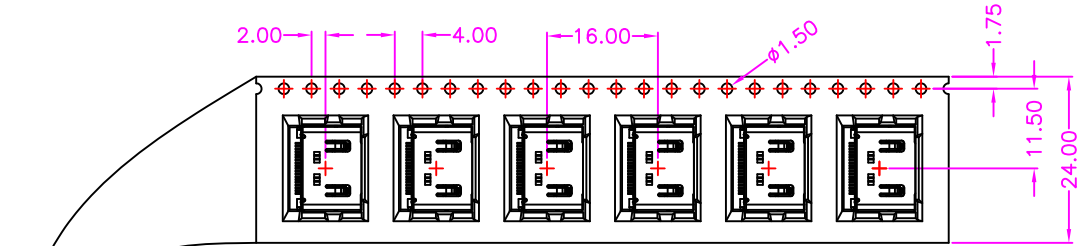
SHELL MATERIAL OPTION
 BLANK: COPPER ALLOY
 P: SPCC

TIN PLATING ON SOLDER TAIL



TOLERANCES	
X.±0.40	.XX±0.20
.X±0.30	.XXX±0.10

REV.	A	DRAWN BY	Frank 2019/7/25	TITLE	HDMI, PCB MOUNT, SMT, METAL SHIELD, FEMALE				
		APPROVED BY	Lion 2019/7/25	DRAW NO.	BHDBA-005	UNIT	MM	Sheet	1/2



NOTE: 500PCS/ REEL, 5000PCS/ 10 REEL/ CARTON

Z ZICONN
ELECTRONIC CO., LTD.
WWW.ZICONN.COM 886-3-4687695

TOLERANCES	
X.±0.40	.XX±0.20
.X±0.30	.XXX±0.10

REV.	A

DRAWN BY	Frank 2019/7/25
APPROVED BY	Lion 2019/7/25

TITLE	HDMI, PCB MOUNT, SMT, METAL SHIELD, FEMALE				
DRAW NO.	BHDBA-005	UNIT	MM	Sheet	1/2