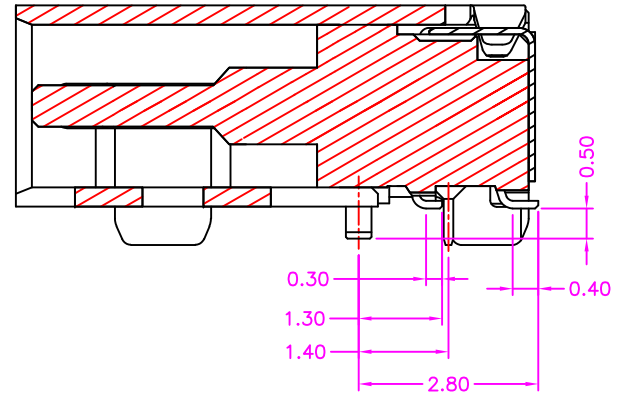
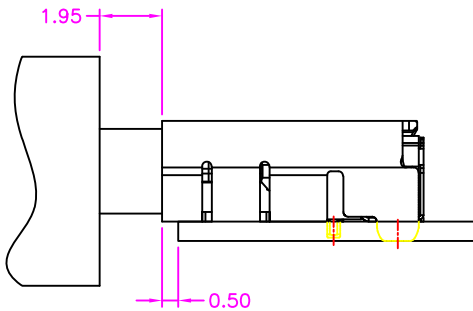
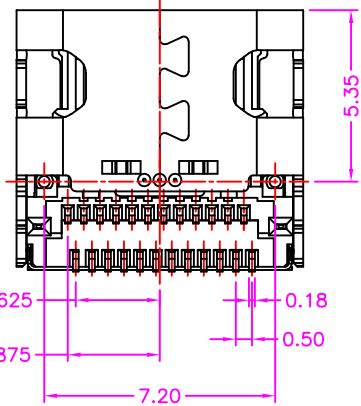
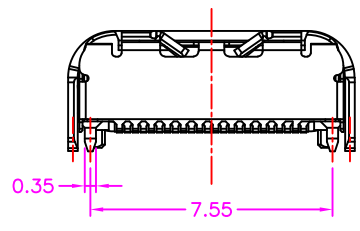
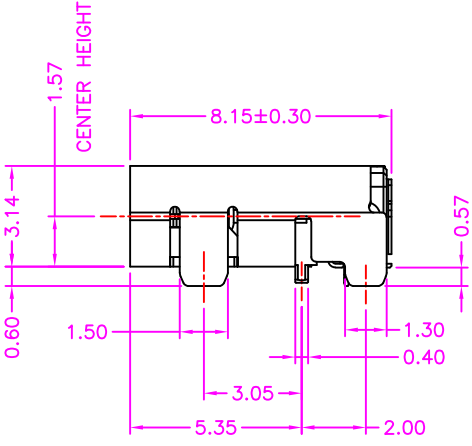
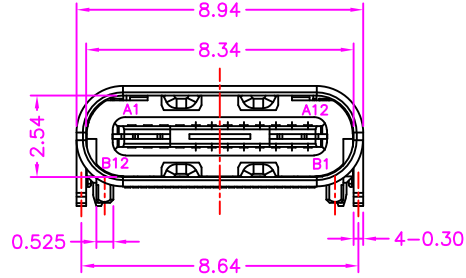
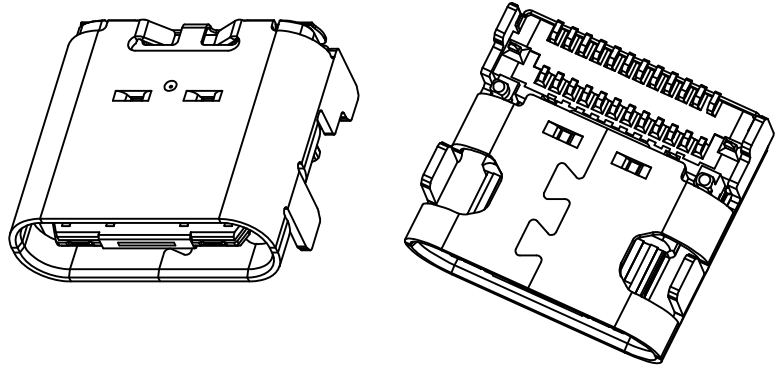


LASER POINT



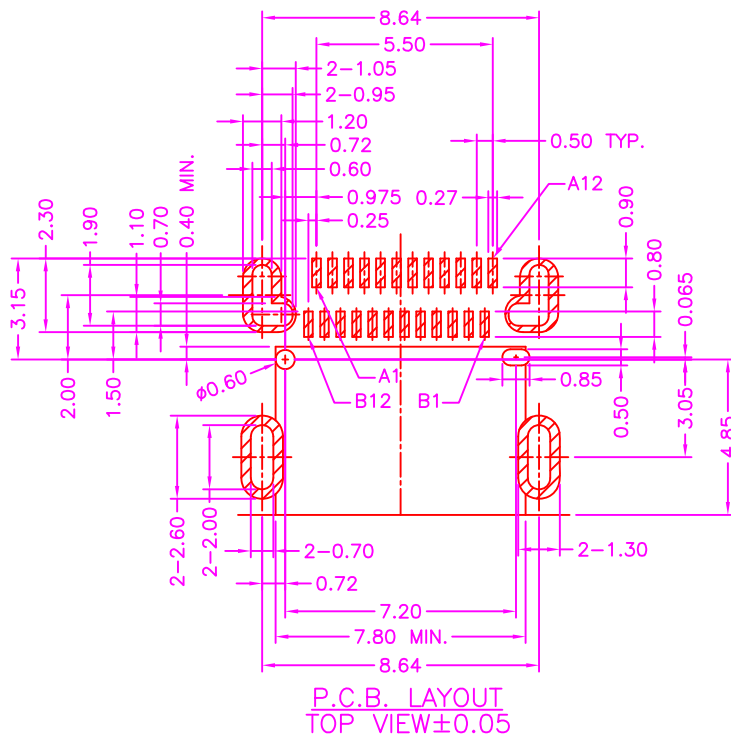
SECTION A-A  
SCALE 2:1

## MATERIALS

HOUSING: LCP (UL 94V-0), BLACK  
 SHELL: STAINLESS STEEL, NICKEL PLATING  
 TERMINAL: COPPER ALLOY, GOLD PLATED ON CONTACT AREA  
 TIN PLATING ON SOLDER TAIL

## SPECIFICATION

CURRENT RATING:  
 5.0A FOR VBUS (A4,A9,B4,B9)  
 1.25A FOR VCONN (B5)  
 1.25A FOR GND (A1,A12,B1,B12)  
 0.25A FOR ALL THE OTHERS CONTACTS  
 DIELECTRIC WITHSTANDING: 100V AC FOR ONE MINUTE  
 CONTACT RESISTANCE:  
 40m OHMS MAX INITIAL  
 50m OHMS MAX AFTER ENVIRONMENTAL TEST  
 INSULATION RESISTANCE: 100M OHMS MIN AT DC 300V  
 OPERATION TEMPERATURE: -40°C~+85°C



P.C.B. LAYOUT  
 TOP VIEW ±0.05

PIN NUMBER	SIGNAL	Pin NUMBER	SIGNAL
PIN A1	GND	PIN B12	GND
PIN A2	SSTXp1	PIN B11	SSTXp1
PIN A3	SSTXn1	PIN B10	SSRXn1
PIN A4	VBUS	PIN B9	VBUS
PIN A5	CC1	PIN B8	SBU2
PIN A6	Dp1	PIN B7	Dn2
PIN A7	Dn1	PIN B6	Dp2
PIN A8	SBU1	PIN B5	CC2
PIN A9	VBUS	PIN B4	VBUS
PIN A10	SSRXn2	PIN B3	SSTXn2
PIN A11	SSRXp2	PIN B2	SSTXp2
PIN A12	GND	PIN B1	GND

PART NUMBER:

BUSJB - 2 4 \* T - 1 2 8

SERIES — NO. OF POS. — CONTACT PLATED OPTION — TIN PLATING ON SOLDER TAIL — TAPE REEL PACKAGE

TIN PLATING ON SOLDER TAIL

CONTACT PLATED OPTION

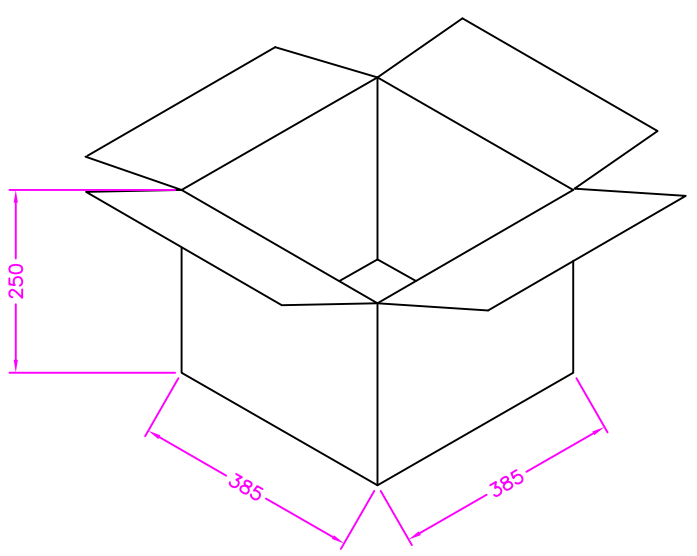
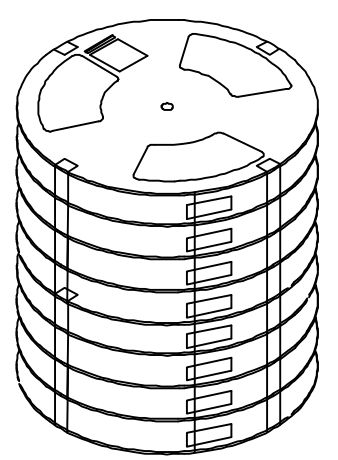
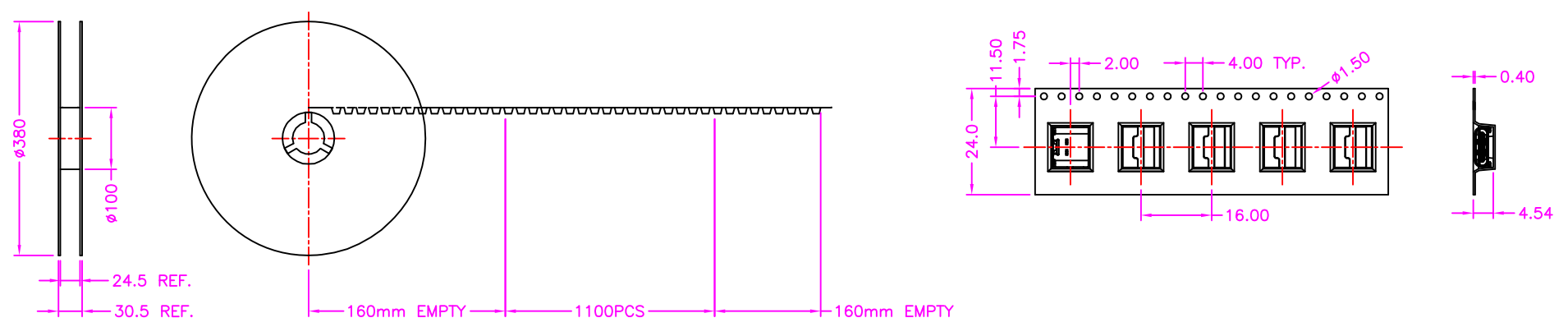
- 1: GOLD FLASH
- 3: 3u" GOLD
- 5: 5u" GOLD
- 6: 10u" GOLD
- 7: 15u" GOLD
- 9: 30u" GOLD



TOLERANCES  
 X.±0.40 .XX±0.20  
 .X±0.30 .XXX±0.10

REV. A DRAWN BY Zhong 2019/11/7  
 APPROVED BY Lion 2019/11/7

TITLE USB C TYPE, PCB MOUNT, SMT, METAL SHIELD, WITH POST, 24PIN, FEMALE  
 DRAW NO. BUSJB-008 UNIT MM Sheet 2/3



NOTE: 1100PCS/REEL, 8800PCS/ 8 REEL/ CARTON

<b>ZICONN</b> ELECTRONIC CO., LTD. WWW.ZICONN.COM 886-3-4687695	TOLERANCES		REV.	A	DRAWN BY	Zhong 2019/11/7	TITLE	USB C TYPE, PCB MOUNT, SMT, METAL SHIELD, WITH POST, 24PIN, FEMALE			
	X.±0.40	.XX±0.20		APPROVED BY	Lion	2019/11/7	DRAW NO.	BUSJB-008	UNIT	MM	Sheet
.X±0.30	.XXX±0.10										