

MATERIALS

HOUSING: LCP (UL 94V-0), BLACK
 SHELL: STAINLESS STEEL, NICKEL PLATING
 GND PLATE: STAINLESS STEEL
 TERMINAL: COPPER ALLOY, GOLD PLATED

SPECIFICATION

CURRENT RATING:
 5A/PIN MAX (A4,A9,B4,B9)
 1.25A/PIN MAX (A1,A12,B1,B12)
 0.25A FOR ALL THE OTHERS CONTACTS
 DIELECTRIC WITHSTANDING: 100V AC FOR ONE MINUTE
 CONTACT RESISTANCE: 40m OHMS MAX
 INSULATION RESISTANCE: 100M OHMS MIN AT DC 300V
 OPERATION TEMPERATURE: -40°C~+85°C

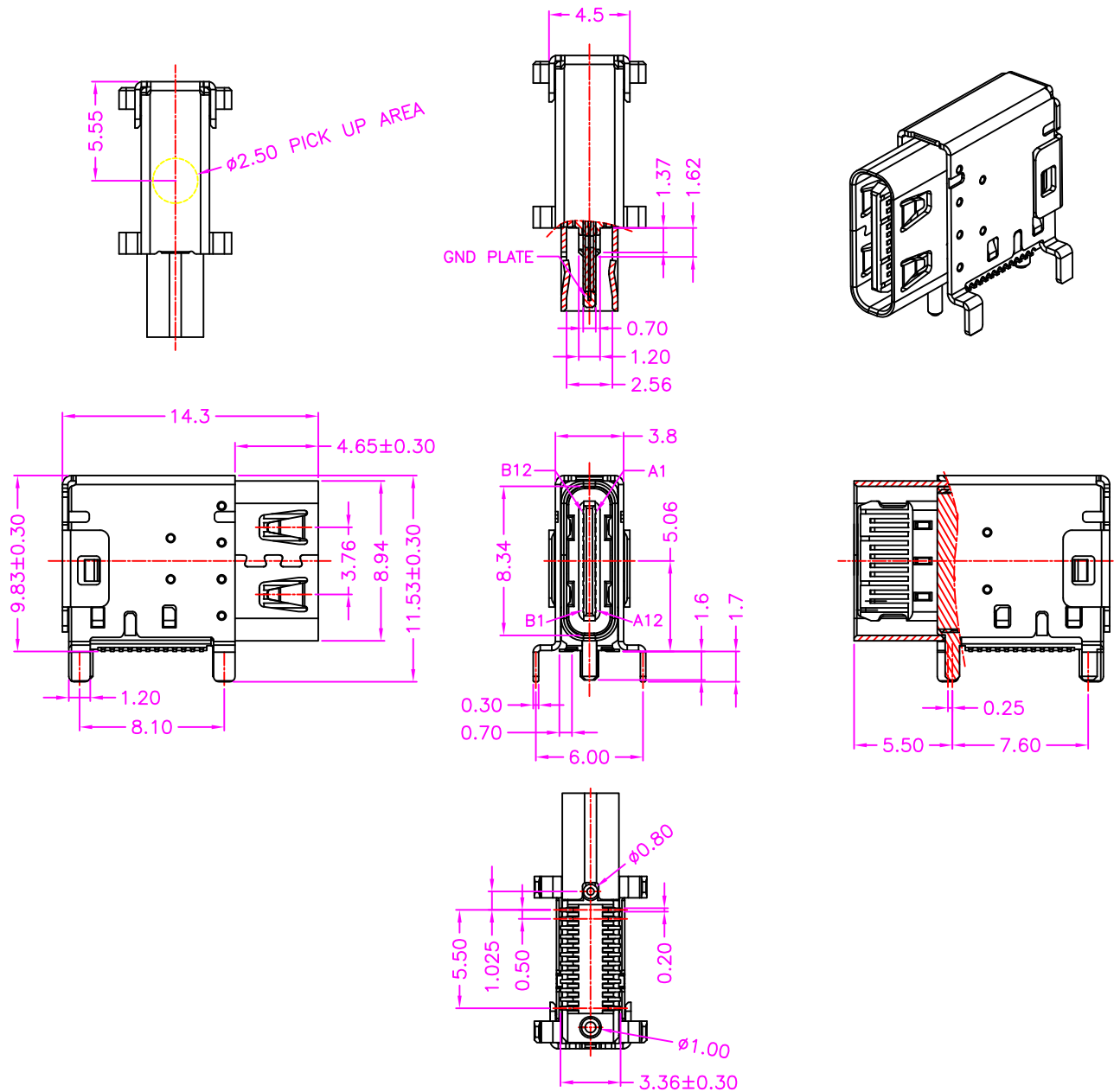
PART NUMBER:

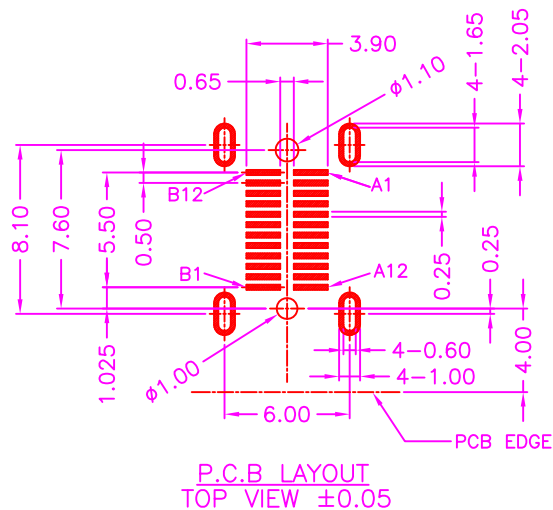
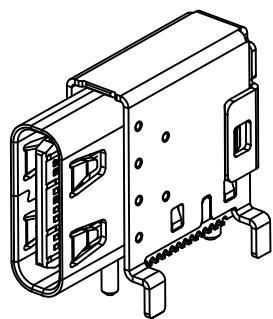
BUSJW - 2 4 * - 1 2 2

SERIES — NO. OF POS. — CONTACT PLATED OPTION — TAPE REEL PACKAGE

CONTACT PLATED OPTION

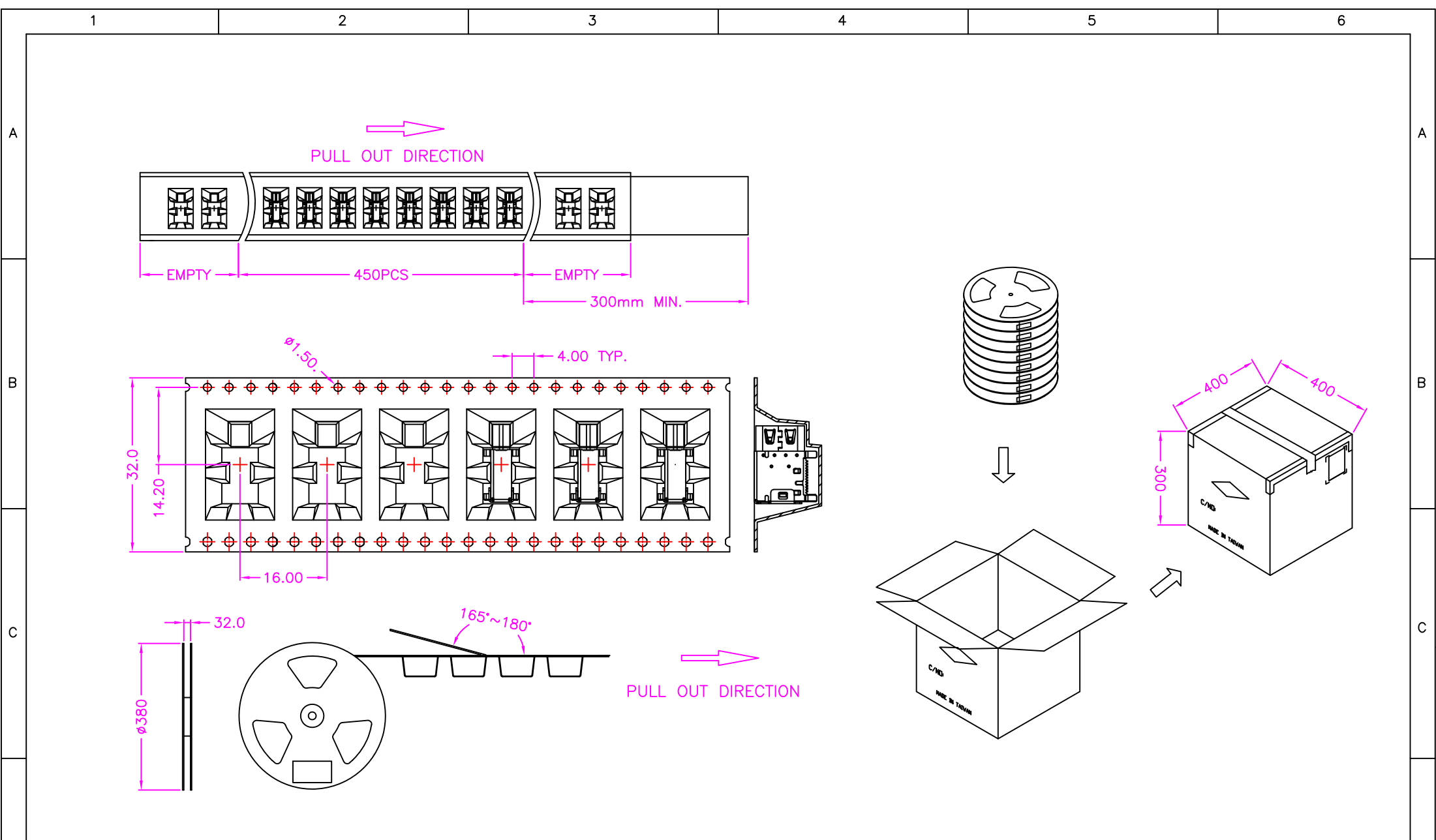
- 1: 1u" GOLD
- 3: 3u" GOLD
- 5: 5u" GOLD
- 6: 10u" GOLD
- 7: 15u" GOLD
- 9: 30u" GOLD





USB TYPE C PIN ASSIGNMENTS

| PIN NUMBER | SIGNAL NAME | PIN NUMBER | SIGNAL NAME |
|------------|-------------|------------|-------------|
| A1 | GND | B12 | GND |
| A2 | SSTXp1 | B11 | SSRXp1 |
| A3 | SSTXn1 | B10 | SSRXn1 |
| A4 | VBUS | B9 | VBUS |
| A5 | CC1 | B8 | SBU2 |
| A6 | DP1 | B7 | DN2 |
| A7 | DN1 | B6 | DP2 |
| A8 | SBU1 | B5 | CC2 |
| A9 | VBUS | B4 | VBUS |
| A10 | SSRXn2 | B3 | SSRXn2 |
| A11 | SSRXp2 | B2 | SSRXp2 |
| A12 | GND | B1 | GND |



NOTE: 450PCS/ REEL, 3600PCS/ 8 REEL/ CARTON

| | | | | | | | | | | | | |
|----------------------------------|------------|----------|------|---|-------------|----------------|----------|--|------|----|-------|-----|
| WWW.ZICONN.COM 886-3-4687695 | TOLERANCES | | REV. | A | DRAWN BY | Kiki 2022/6/27 | TITLE | USB C TYPE GEN 2, PCB MOUNT, UPRIGHT SMT TYPE, METAL SHIELD, 24PIN, FEMALE | | | | |
| | X.±0.40 | .XX±0.20 | | | APPROVED BY | Lion 2022/6/27 | DRAW NO. | BUSJW-002 | UNIT | MM | Sheet | 3/3 |
| .X±0.30 | .XXX±0.10 | | | | | | | | | | | |