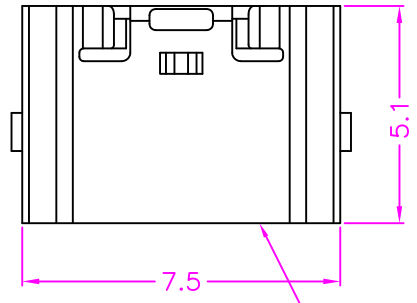


MATERIALS

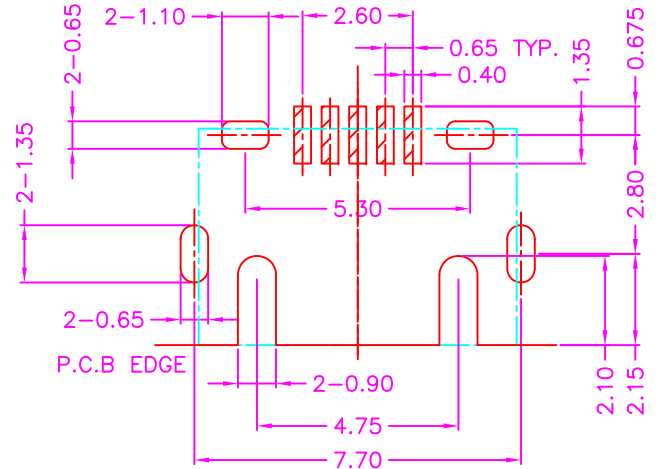
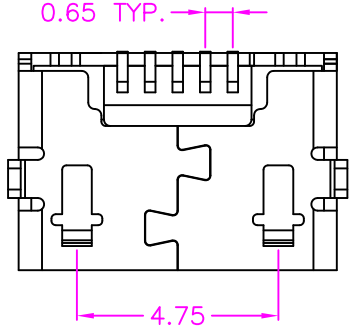
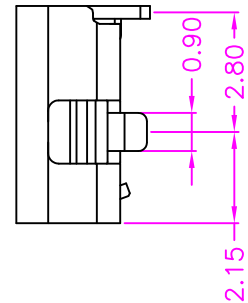
HOUSING: HI-TEMP. PLASTIC (UL 94V-0), BLACK
 SHELL: STAINLESS STEEL, TIN PLATING
 TERMINAL: COPPER ALLOY, GOLD PLATING

SPECIFICATION

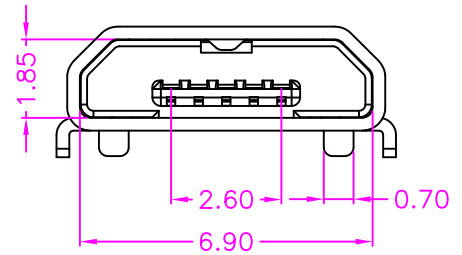
CURRENT RATING: 1.8 AMP MAX (ONLY PIN 1, 5), OTHER 1 AMP MAX
 DIELECTRIC WITHSTANDING: 100V AC FOR ONE MINUTE
 CONTACT RESISTANCE: 30m OHMS MAX
 INSULATION RESISTANCE: 100M OHMS MIN AT DC 500V
 OPERATION TEMPERATURE: -40°C~+105°C



WITHOUT FLANGE



P.C.B. LAYOUT
 TOP VIEW ±0.05



PART NUMBER:

BUSTC - 0 5 * - 1 2 1

SERIES

NO. OF POS.

TAPE REEL PACKAGE

CONTACT PLATED OPTION

- 1: GOLD FLASH
- 3: 3u" GOLD
- 5: 5u" GOLD
- 7: 15u" GOLD
- 9: 30u" GOLD



TOLERANCES	
X.±0.40	.XX±0.20
.X±0.30	.XXX±0.10

REV.	A	DRAWN BY	Kiki 2022/6/20	TITLE	MICRO USB B TYPE, PCB MOUNT, REVERSE TYPE, SMT, METAL SHIELD, FEMALE				
		APPROVED BY	Lion 2022/6/20	DRAW NO.	BUSTC-001	UNIT	MM	Sheet	1/1