

MATERIALS

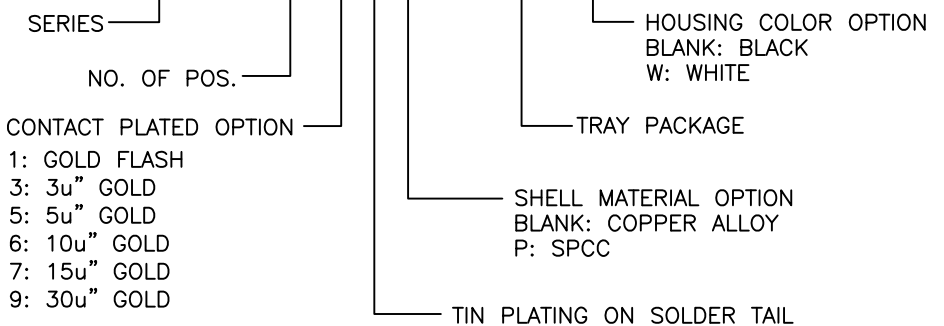
HOUSING: THERMOPLASTIC (UL 94V-0)
 SHELL: SPCC OR COPPER ALLOY, NICKEL PLATING
 TERMINAL: COPPER ALLOY, GOLD PLATED ON CONTACT AREA
 TIN PLATING ON SOLDER TAIL

SPECIFICATION

CURRENT RATING: 1 AMP MAX
 DIELECTRIC WITHSTANDING: 500V AC FOR ONE MINUTE
 CONTACT RESISTANCE: 30m OHMS MAX
 INSULATION RESISTANCE: 1000M OHMS MIN AT DC 500V
 OPERATION TEMPERATURE: -40°C~+85°C

PART NUMBER:

BUSAC - 0 4 * T * - 1 1 3 *



TOLERANCES

X.±0.40	.XX±0.20
.X±0.30	.XXX±0.10

REV.	A	DRAWN BY	Jess 2020/10/18	TITLE	USB A TYPE, PCB MOUNT, R/A, METAL SHIELD, H=9.35mm, FEMALE				
		APPROVED BY	Lion 2020/10/18	DRAW NO.	BUSAC-003	UNIT	MM	Sheet	1/1