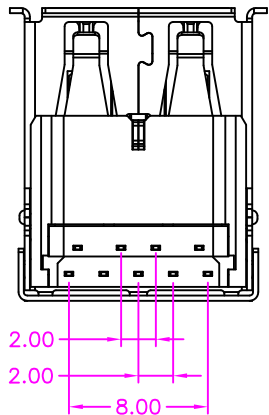
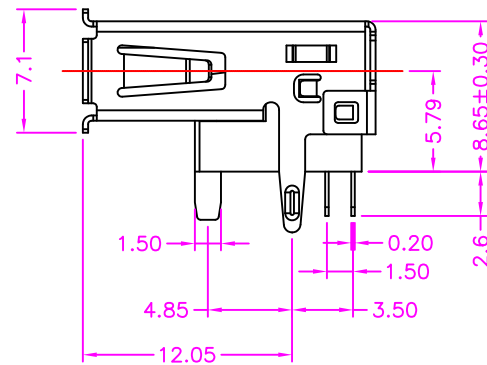
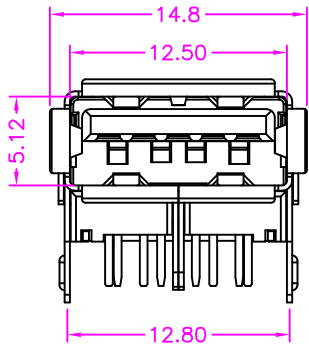


P.C.B. LAYOUT
TOP VIEW ±0.05



PART NUMBER:
BUSEC - 0 9 * T - 1 1 6

SERIES — NO. OF POS. — CONTACT PLATED OPTION — TIN PLATING ON SOLDER TAIL — TRAY PACKAGE

- 1: GOLD FLASH
- 3: 3u" GOLD
- 5: 5u" GOLD
- 6: 10u" GOLD
- 7: 15u" GOLD
- 9: 30u" GOLD

MATERIALS

HOUSING: THERMOPLASTIC (UL 94V-0), BLUE
SHELL: STAINLESS STEEL, NICKEL PLATING
TERMINAL: COPPER ALLOY, GOLD PLATED ON CONTACT AREA
TIN PLATING ON SOLDER TAIL

SPECIFICATION

CURRENT RATING: 1.5 AMP MIN
DIELECTRIC WITHSTANDING: 500V AC FOR ONE MINUTE
CONTACT RESISTANCE: 30m OHMS MAX
INSULATION RESISTANCE: 1000M OHMS MIN AT DC 500V
OPERATION TEMPERATURE: -40°C~+85°C

PIN NUMBER	SIGNAL NAME
1	VBUS
2	D-
3	D+
4	GND
5	StdA_SSRX-
6	StdA_SSRX+
7	GND_DRAIN
8	StdA_SSTX-
9	StdA_SSTX+
Shell	SHIELD