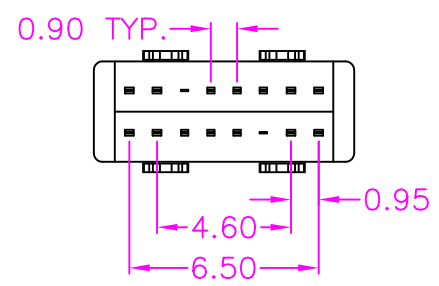
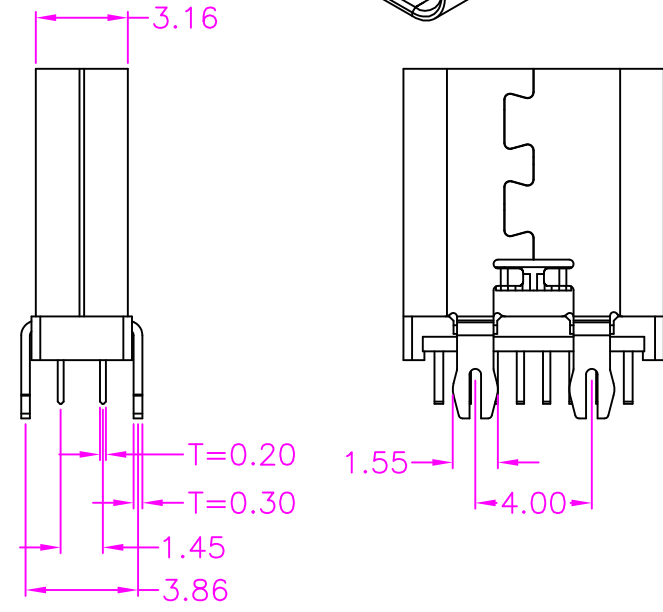
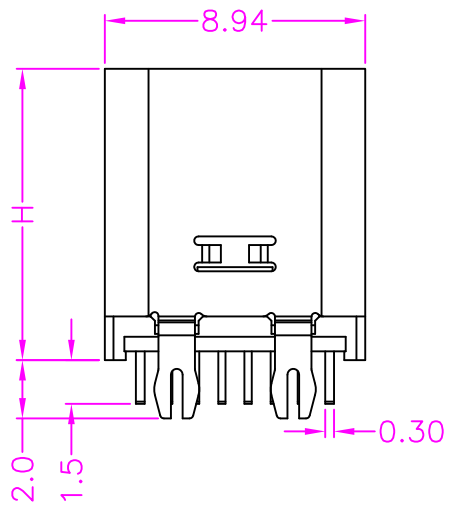


**MATERIALS**

HOUSING: HI-TEMP. PLASTIC (UL 94V-0), BLACK  
 SHELL: STAINLESS STEEL, NICKEL PLATING  
 TERMINAL: COPPER ALLOY, GOLD PLATED



A1	GND	B12	GND
A4	VBUS	B9	VBUS
A5	CC1		
A6	DP1	B7	DN2
A7	DN1	B6	DP2
		B5	CC2
A9	VBUS	B4	VBUS
A12	GND	B1	GND
PIN	SIGNAL NAME	PIN	SIGNAL NAME

PART NUMBER:  
**BUSJA - 1 4 \* - 1 1 4 \***

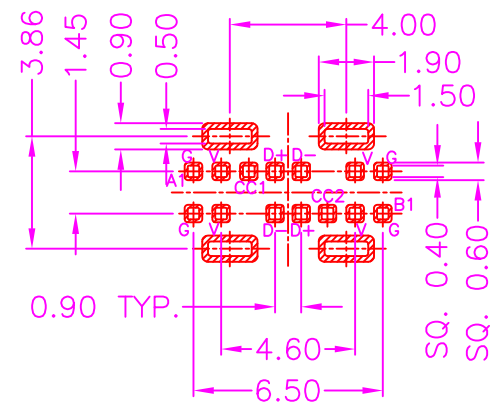
SERIES ————  
 NO. OF POS. ————

CONTACT PLATED OPTION ————

"H" HEIGHT OPTION  
 A: 10.0mm  
 B: 10.5mm

TRAY PACKAGE

1: GOLD FLASH  
 3: 3u" GOLD  
 5: 5u" GOLD  
 6: 10u" GOLD  
 7: 15u" GOLD  
 9: 30u" GOLD



**P.C.B LAYOUT  
 TOP VIEW ±0.05**