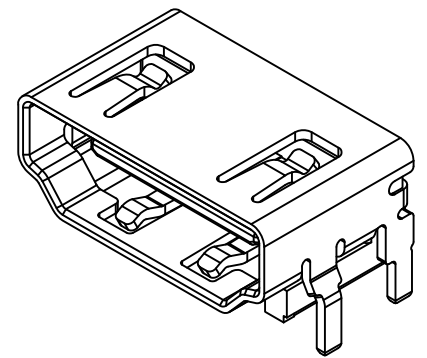
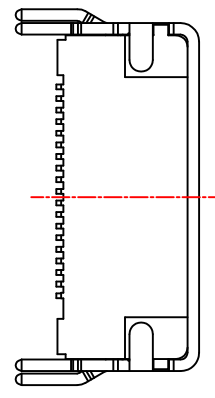
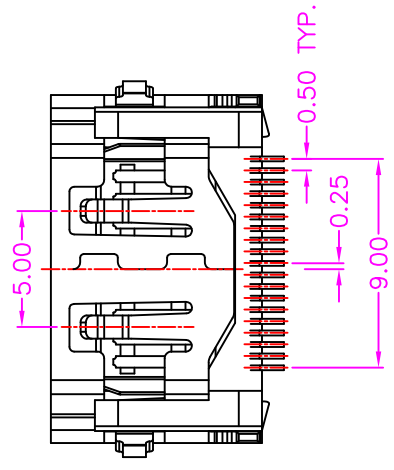
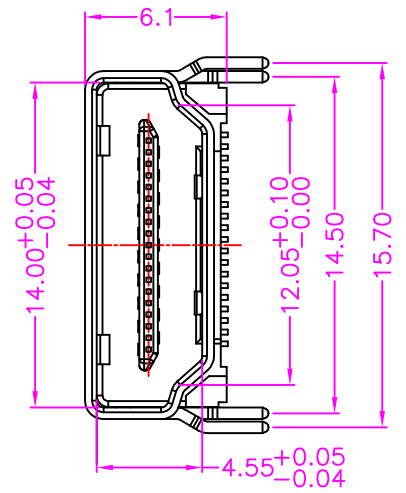
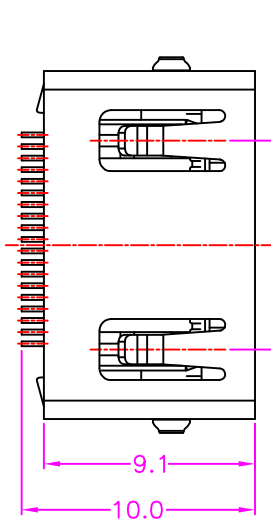


P.C.B LAYOUT  
TOP VIEW ±0.05



**MATERIALS**

HOUSING: HI-TEMP. PLASTIC (UL 94V-0), BLACK  
 SHELL: BRASS, NICKEL PLATING  
 TERMINAL: PHOSPHOR BRONZE, GOLD PLATED ON CONTACT AREA  
 TIN PLATING ON SOLDER TAIL

**SPECIFICATION**

CURRENT RATING: 0.5 AMP MAX  
 DIELECTRIC WITHSTANDING: 500V AC FOR ONE MINUTE  
 CONTACT RESISTANCE: 30m OHMS MAX  
 INSULATION RESISTANCE: 100M OHMS MIN AT DC 500V  
 OPERATION TEMPERATURE: -40°C~+85°C

**PART NUMBER:**

BHDBA - 1 9 \* T - 1 2 8

SERIES  
 NO. OF POS.  
 CONTACT PLATED OPTION  
 TAPE REEL PACKAGE  
 TIN PLATING ON SOLDER TAIL

**CONTACT PLATED OPTION**

- 1: GOLD FLASH
- 3: 3u" GOLD
- 5: 5u" GOLD
- 7: 15u" GOLD
- 9: 30u" GOLD

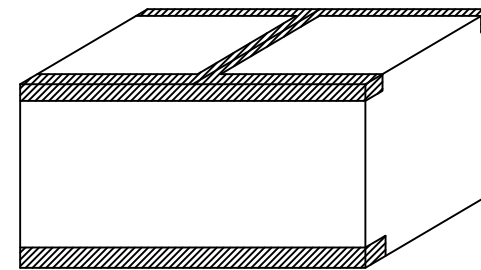
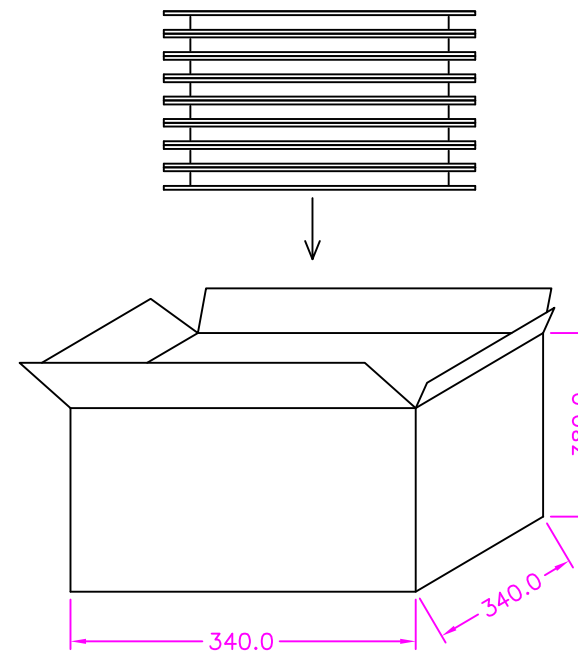
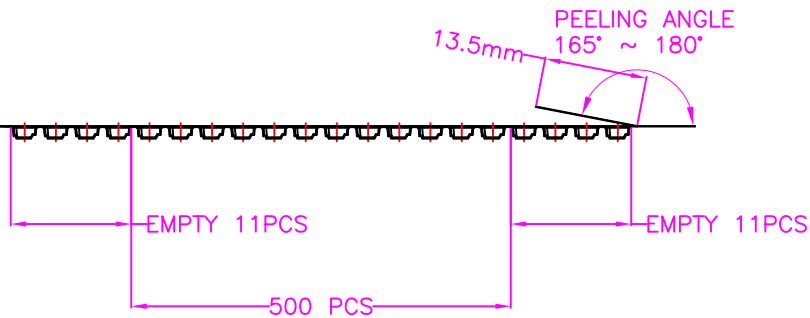
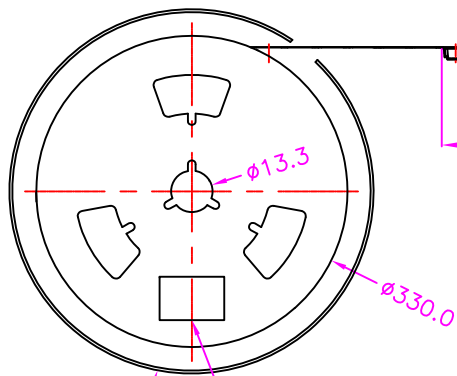
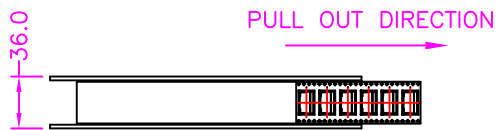
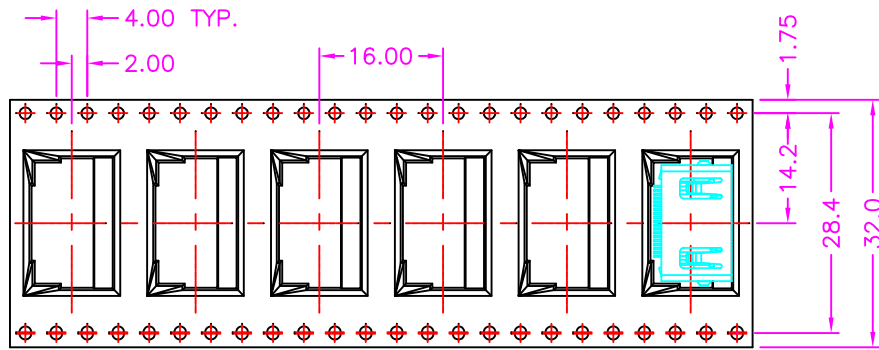


TOLERANCES	
X.±0.40	.XX±0.20
.X±0.30	.XXX±0.10

REV.	A

DRAWN BY	Frank 2021/4/15
APPROVED BY	Lion 2021/4/15

TITLE	HDMI, PCB MOUNT, SMT, METAL SHIELD, FEMALE				
DRAW NO.	BHDBA-008	UNIT	MM	Sheet	1/2



NOTE: 500PCS/ REEL, 5000PCS/ 10 REEL/ CARTON