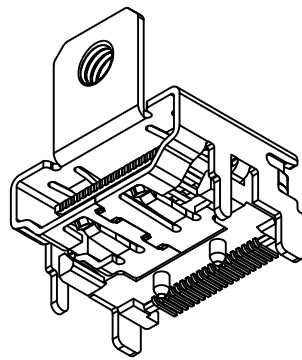
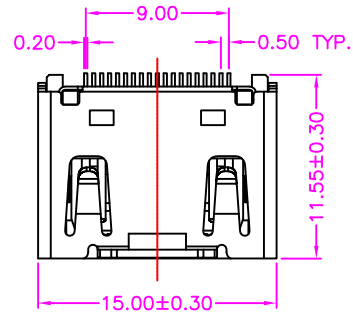
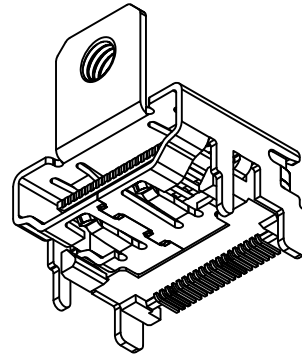


A



WITH POST



WITHOUT POST

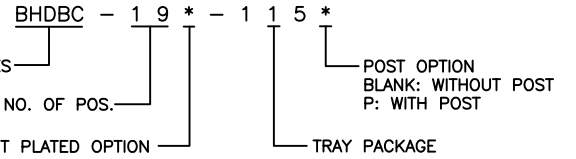
**MATERIALS**

HOUSING: HI-TEMP. PLASTIC (UL 94V-0), BLACK  
 FRONT SHELL: SPCC, NICKEL PLATING  
 REAR SHELL: SUS  
 TERMINAL: COPPER ALLOY, GOLD PLATED

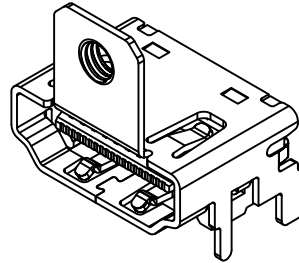
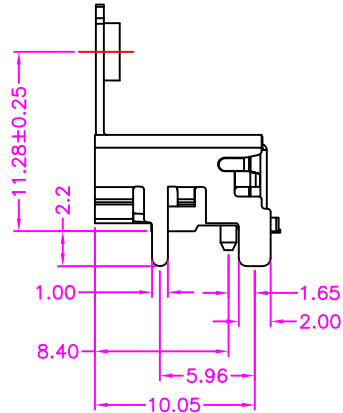
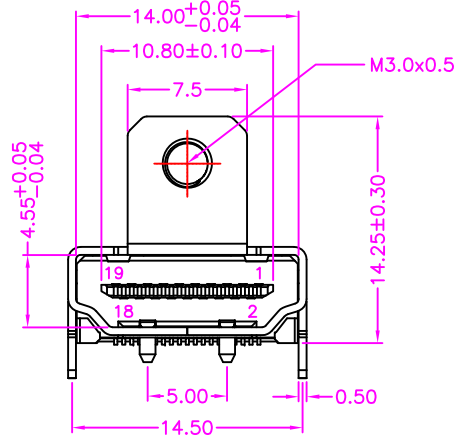
**SPECIFICATION**

CURRENT RATING: 0.5 AMP MAX  
 DIELECTRIC WITHSTANDING: 500V AC FOR ONE MINUTE  
 CONTACT RESISTANCE: 30m OHMS MAX  
 INSULATION RESISTANCE: 100M OHMS MIN AT DC 500V  
 OPERATION TEMPERATURE: -40°C~+85°C

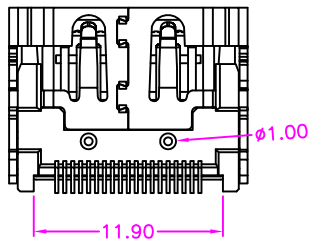
**PART NUMBER:**



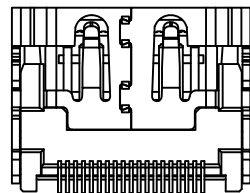
B



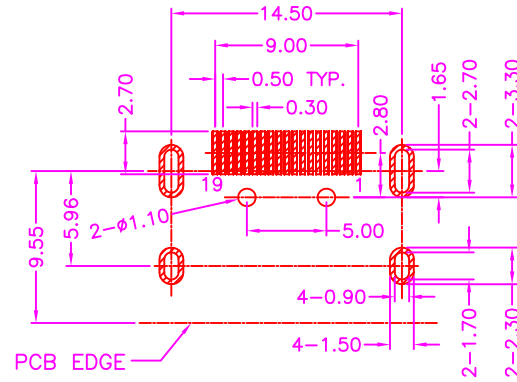
C



WITH POST



WITHOUT POST



P.C.B LAYOUT  
 TOP VIEW ±0.05

**HDMI TYPE A PIN ASSIGNMENT**

PIN	Signal Assignment
1	TMDS Data2+
2	TMDS Data2 Shield
3	TMDS Data2-
4	TMDS Data1+
5	TMDS Data1 Shield
6	TMDS Data1-
7	TMDS Data0+
8	TMDS Data0 Shield
9	TMDS Data0-
10	TMDS Clock+
11	TMDS Clock Shield
12	TMDS Clock-
13	CEC
14	Reserved (N.C. on device)
15	SCL
16	SDA
17	DDC/CEC Ground
18	+5V Power
19	Hot Plug Detect

D

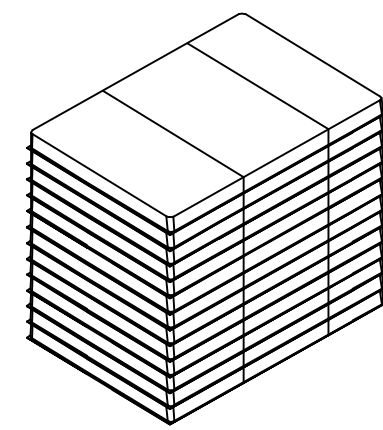
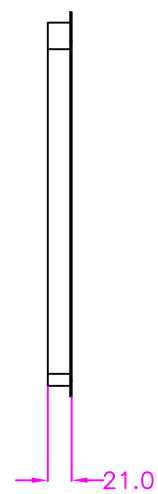
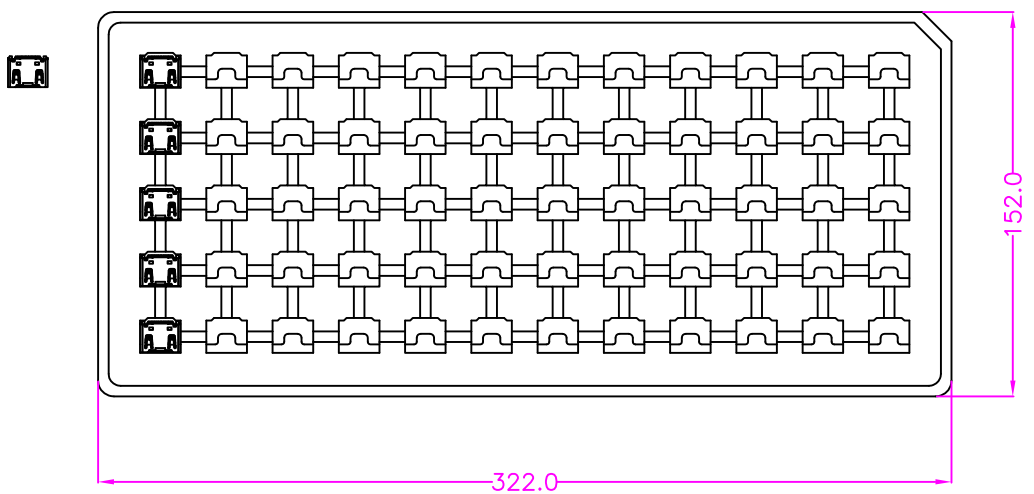
1 2 3 4 5 6

A

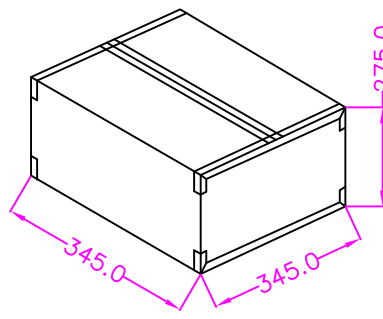
B

C

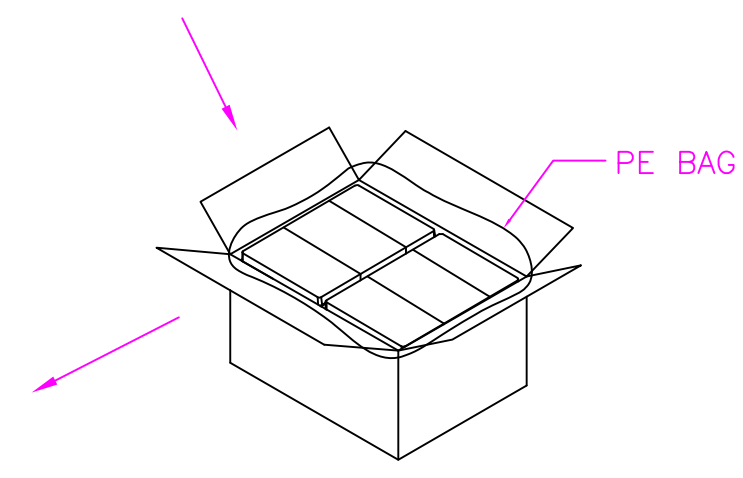
D



14 TRAY/ BUNDLE



1680 PCS/CARTON



2 BUNDLE/PE BAG/CARTON

NOTE: 60PCS/ TRAY, 1680PCS/ 28 TRAY/ CARTON



TOLERANCES	
X.±0.40	.XX±0.20
.X±0.30	.XXX±0.10

REV.	A	DRAWN BY	Frank 2021/10/11
		APPROVED BY	Lion 2021/10/11

TITLE	HDMI 2.1, PCB MOUNT, SMT, METAL SHIELD, WITH EAR & SCREW, FEMALE				
DRAW NO.	BHDBC-005	UNIT	MM	Sheet	2/2

1 2 3 4 5 6 C0101