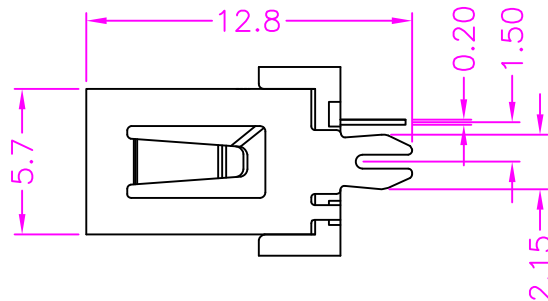
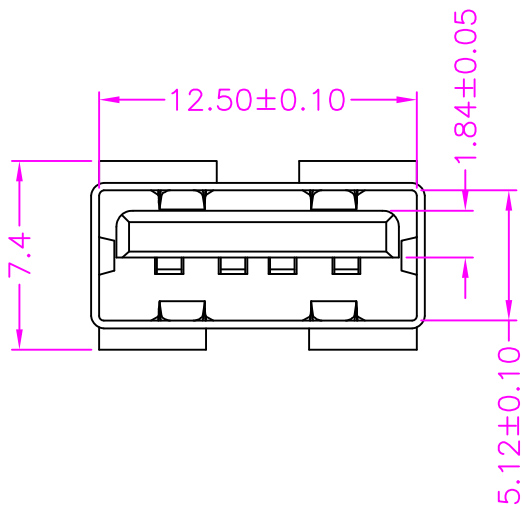


P.C.B. LAYOUT
TOP VIEW ± 0.05



MATERIALS

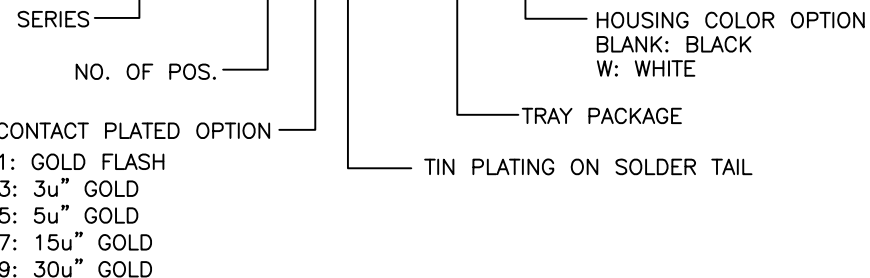
HOUSING: PBT (UL 94V-0)
 SHELL: SPCC, NICKEL PLATING
 TERMINAL: COPPER ALLOY, GOLD PLATED ON CONTACT AREA
 TIN PLATING ON SOLDER TAIL

SPECIFICATION

CURRENT RATING: 1 AMP MAX
 DIELECTRIC WITHSTANDING: 500V AC FOR ONE MINUTE
 CONTACT RESISTANCE: 30m OHMS MAX
 INSULATION RESISTANCE: 1000M OHMS MIN AT DC 500V
 OPERATION TEMPERATURE: $-40^{\circ}\text{C} \sim +85^{\circ}\text{C}$

PART NUMBER:

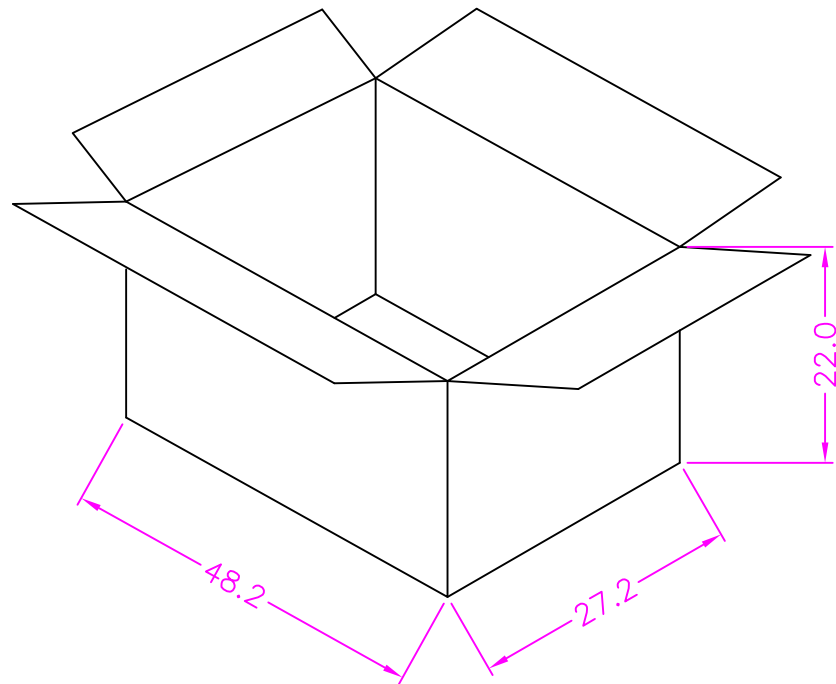
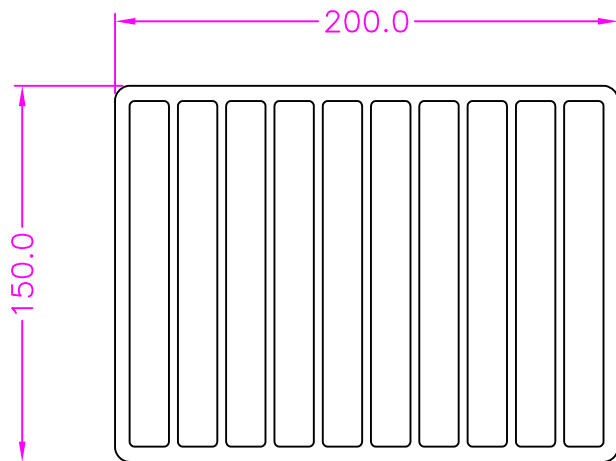
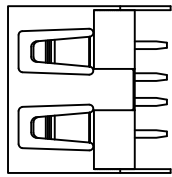
BUSAA - 0 4 * T - 1 1 F *



1 2 3 4 5 6

A

A



B

B

C

C

NOTE: 100PCS/ TRAY, 5000PCS/ 50 TRAY/ CARTON

D

D



TOLERANCES	
X.±0.40	.XX±0.20
.X±0.30	.XXX±0.10

REV.	A

DRAWN BY	Zhong 2021/7/13
APPROVED BY	Lion 2021/7/13

TITLE	USB A TYPE, PCB MOUNT, VERTICAL, METAL SHIELD, H=10.0mm, FEMALE				
DRAW NO.	BUSAA-015	UNIT	MM	Sheet	2/2

1 2 3 4 5 6