

MATERIALS

HOUSING: PBT (UL 94V-0)
FRONT SHELL: STEEL, NICKEL PLATING
REAR SHELL: STEEL, TIN PLATING
REAR HEX RIVET: STEEL, NICKEL PLATED
TERMINAL: COPPER ALLOY, GOLD PLATED

SPECIFICATION

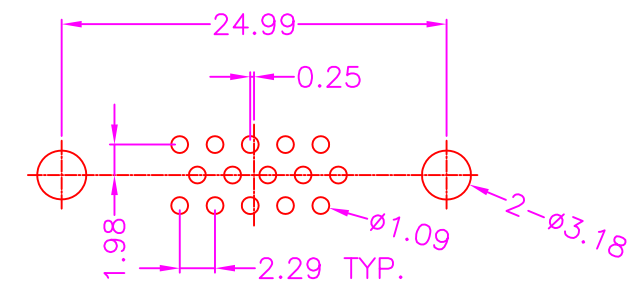
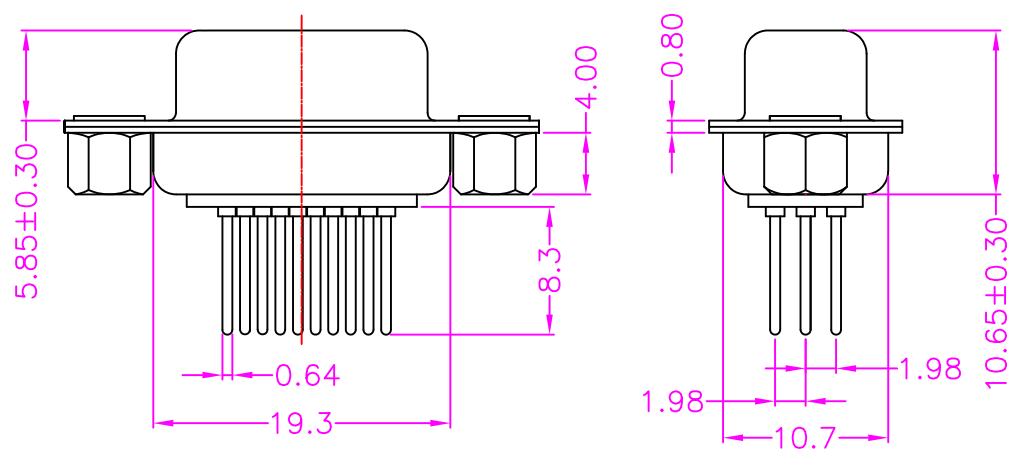
CURRENT RATING: 5 AMP MAX
DIELECTRIC WITHSTANDING: 1000V AC FOR ONE MINUTE
CONTACT RESISTANCE: 30m OHMS MAX
INSULATION RESISTANCE: 1000M OHMS MIN AT DC 500V
OPERATION TEMPERATURE: -55°C~+105°C

PART NUMBER:

BDBFM - 1 5 * - 1 1 2 *

SERIES
NO OF POS.
HOUSING COLOR OPTION
BLANK: BLACK
W: WHITE
BL: BLUE

CONTACT PLATED OPTION
1: GOLD FLASH
3: 3u" GOLD
5: 5u" GOLD
7: 15u" GOLD
9: 30u" GOLD



**P.C.B LAYOUT
TOP VIEW ±0.05**

ZICONN
ELECTRONIC CO., LTD.
WWW.ZICONN.COM 886-3-4687695

TOLERANCES

X.±0.40	.XX±0.20
.X±0.30	.XXX±0.10

REV.	A	DRAWN BY	Zhong 2021/6/7	TITLE	HIGH DENSITY D-SUB, VERTICAL, METAL SHIELD MACHINE PIN, FEMALE				
		APPROVED BY	Lion 2021/6/7	DRAW NO.	BDBFM-002	UNIT	MM	Sheet	1/1

DRAW NO.	BDBFM-002	UNIT	MM	Sheet	1/1
----------	-----------	------	----	-------	-----