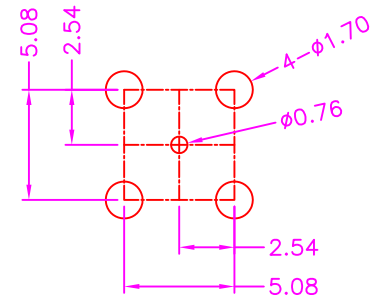
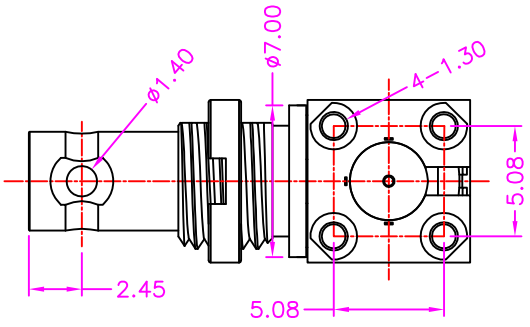


MATERIALS

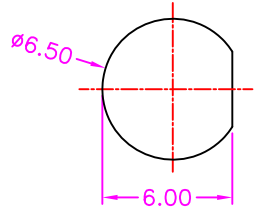
INSULATOR: TEFLON (UL 94V-0), WHITE
 HOUSING: BRASS, GOLD PLATING
 BODY: BRASS, NICKEL PLATING
 TERMINAL: COPPER ALLOY, GOLD PLATED
 NUT: BRASS, NICKEL PLATING

SPECIFICATION

IMPEDANCE: 75 OHM
 WORKING FREQUENCY: DC ~ 18 GHz
 DIELECTRIC WITHSTANDING: 1000V AC FOR ONE MINUTE
 INSULATION RESISTANCE: 1000M OHMS MIN AT DC 500V
 OPERATION TEMPERATURE: -65°C~+165°C



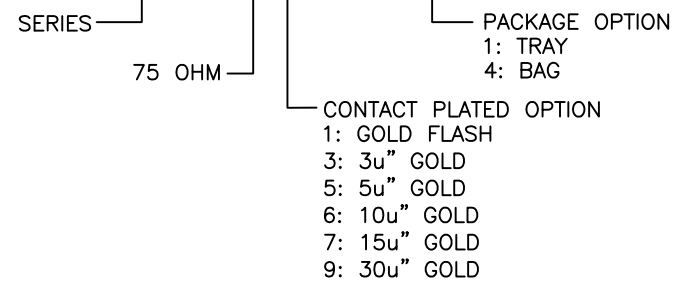
**P.C.B. LAYOUT
TOP VIEW ±0.05**



**RECOMMENDED MOUNTING
HOLE DIMENSIONS**

PART NUMBER:

RBNKE - 7 * 1 - 1 * 1



TOLERANCES	
X.±0.40	.XX±0.20
.X±0.30	.XXX±0.10

REV.	A	DRAWN BY	Zhong 2019/12/4	TITLE	HD BNC, PCB MOUNT, R/A, WITH POST, FEMALE				
		APPROVED BY	Lion 2019/12/4	DRAW NO.	RBNKE-001	UNIT	MM	Sheet	1/1