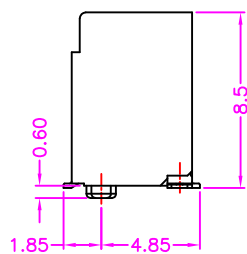
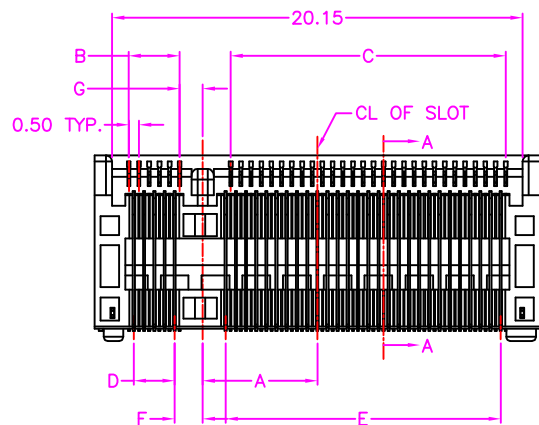


MATERIALS

HOUSING: HI-TEMP. PLASTIC (UL 94V-0), BLACK
 SOLDER PEG: STAINLESS STEEL, TIN PLATING
 TERMINAL: COPPER ALLOY, GOLD PLATED

SPECIFICATION

CURRENT RATING: 0.5 AMP MAX
 DIELECTRIC WITHSTANDING: 300V AC FOR ONE MINUTE
 CONTACT RESISTANCE: 55m OHMS MAX
 INSULATION RESISTANCE: 500M OHMS MIN AT DC 500V
 OPERATION TEMPERATURE: -40°C ~+80°C



PART NUMBER:

MCEGT - 6 7 * - 1 2 8 *

SERIES

NO. OF POS.

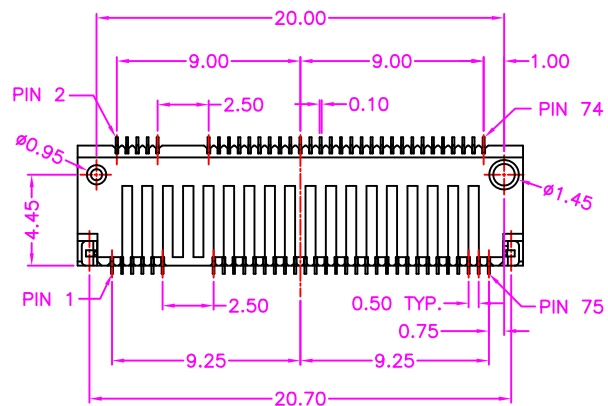
CONTACT PLATED OPTION

- 1: GOLD FLASH
- 3: 3u" GOLD
- 5: 5u" GOLD
- 6: 10u" GOLD
- 7: 15u" GOLD
- 9: 30u" GOLD

KEY TYPE OPTION

- A: A TYPE
- B: B TYPE
- C: C TYPE
- D: D TYPE
- E: E TYPE
- F: F TYPE
- G: G TYPE
- H: H TYPE
- J: J TYPE
- K: K TYPE
- L: L TYPE
- M: M TYPE

TAPE REEL PACKAGE



M	PIN 59-66	-6.125	14.0	2.0	14.0	1.5	1.125	1.375		
L	PIN 55-62	-5.125	13.0	3.0	13.0	2.5	1.125	1.375		
K	PIN 51-58	-4.125	12.0	4.0	12.0	3.5	1.125	1.375		
J	PIN 47-54	-3.125	11.0	5.0	11.0	4.5	1.125	1.375		
H	PIN 43-50	-2.125	10.0	6.0	10.0	5.5	1.125	1.375		
G	PIN 39-46	-1.125	9.0	7.0	9.0	6.5	1.125	1.375		
F	PIN 28-35	1.625	6.5	9.5	6.0	9.5	1.375	1.125		
E	PIN 24-31	2.625	5.5	10.5	5.0	10.5	1.375	1.125		
D	PIN 20-27	3.625	4.5	11.5	4.0	11.5	1.375	1.125		
C	PIN 16-23	4.625	3.5	12.5	3.0	12.5	1.375	1.125		
B	PIN 12-19	5.625	2.5	13.5	2.0	13.5	1.375	1.125		
A	PIN 8-15	6.625	1.5	14.5	1.0	14.5	1.375	1.125		
MODULE CARD TYPE	DIM P	KEY ID	PAD REMOVED	DIM A	DIM B	DIM C	DIM D	DIM E	DIM F	DIM G



TOLERANCES
 X.±0.40 .XX±0.20
 .X±0.30 .XXX±0.10

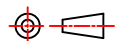
REV.

A

DRAWN BY Zhong 2019/8/20

TITLE

NGFF(M.2), 0.5mm PITCH, PCB MOUNT, SMT, 1 KEY WITH PAD
 H=8.50mm, FEMALE



APPROVED BY Lion 2019/8/20

DRAW NO.

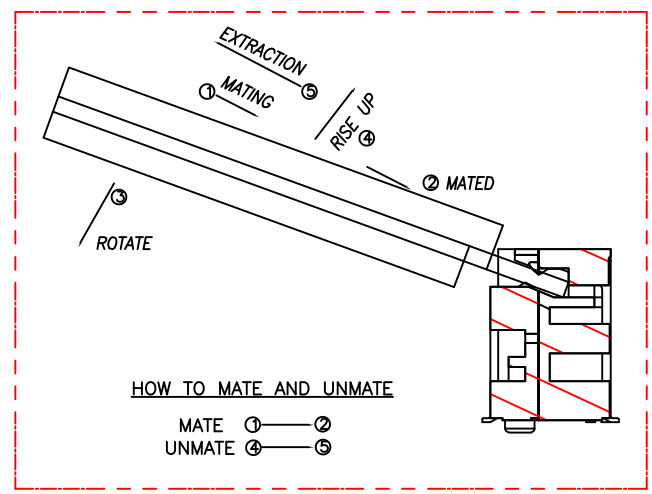
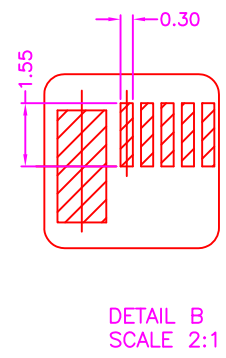
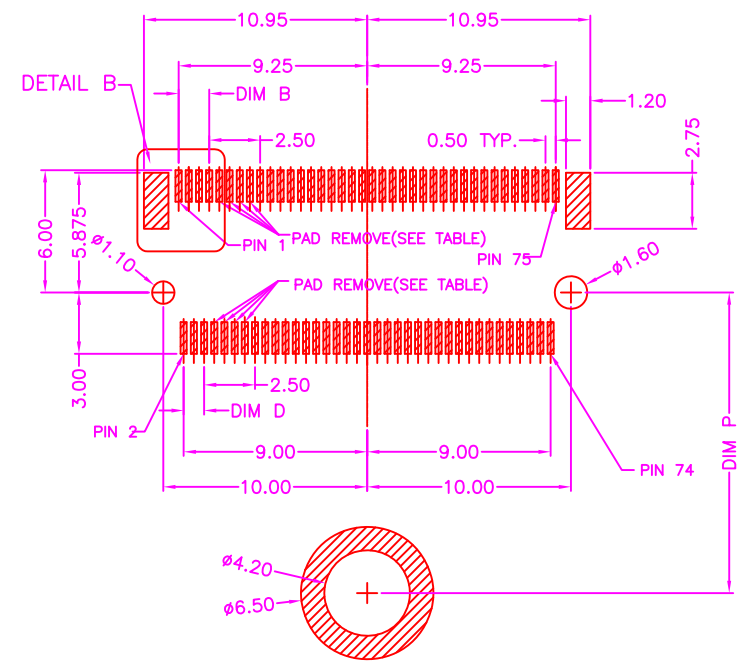
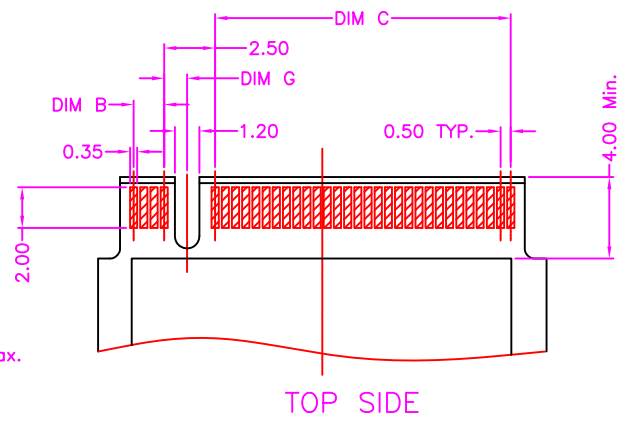
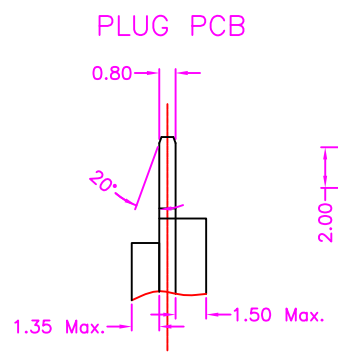
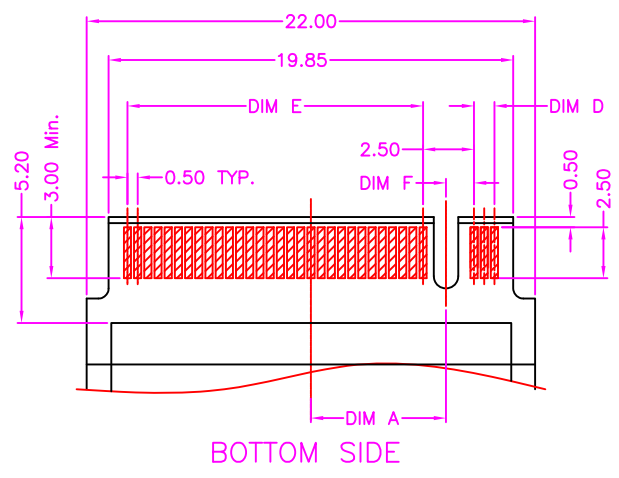
MCEGT-008

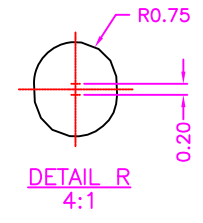
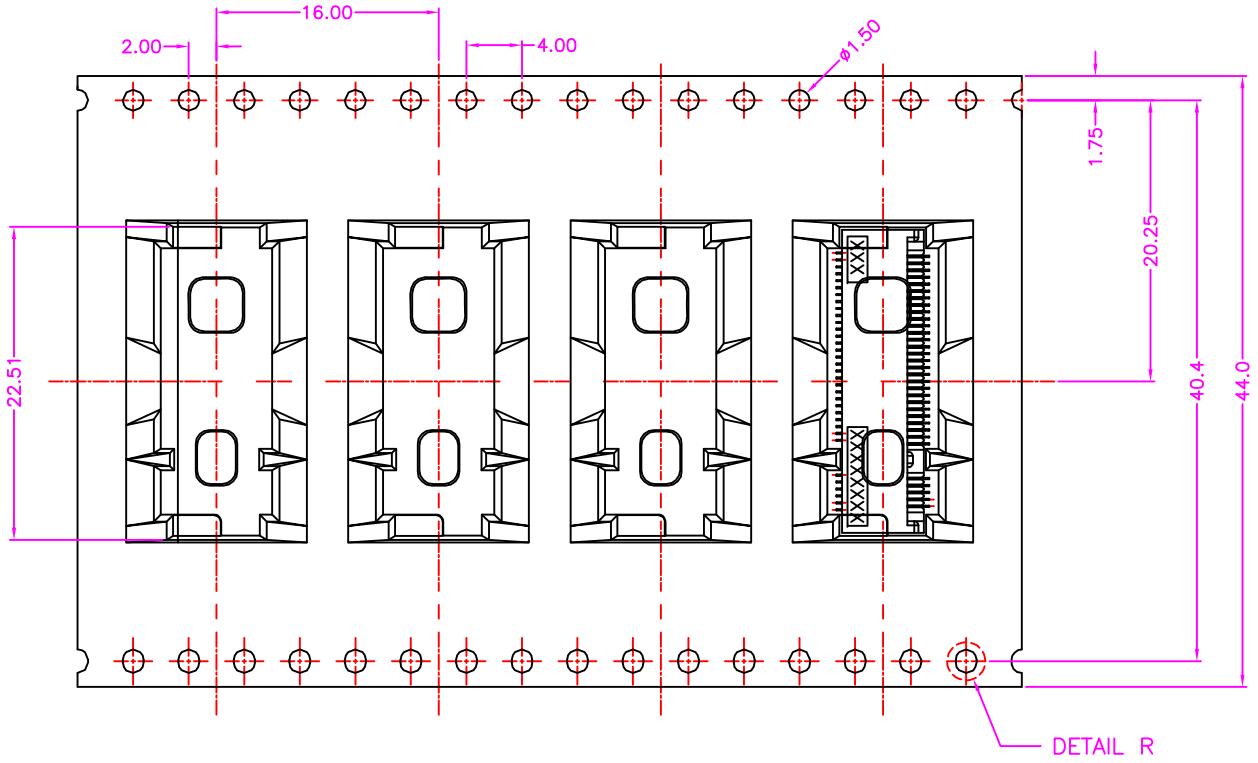
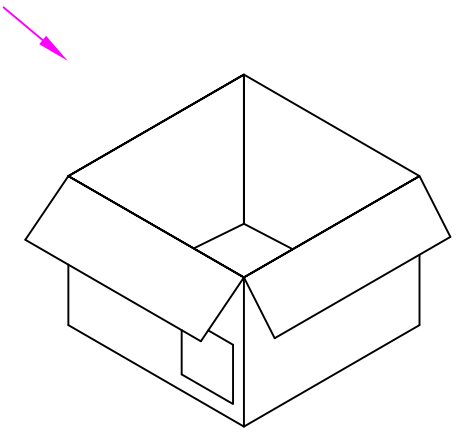
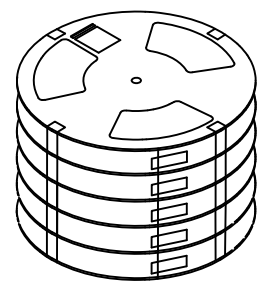
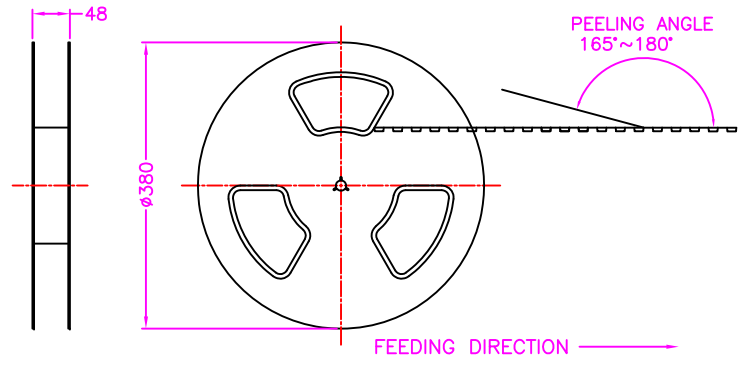
UNIT

MM

Sheet

1/3





NOTE: 500PCS/ REEL, 2500PCS/ 5 REEL/ CARTON

 WWW.ZICONN.COM 886-3-4687695	TOLERANCES	REV.	A	DRAWN BY	Zhong 2019/8/20	TITLE	NGFF(M.2), 0.5mm PITCH, PCB MOUNT, SMT, 1 KEY WITH PAD H=8.50mm, FEMALE			
	X.±0.40 .XX±0.20 .X±0.30 .XXX±0.10			APPROVED BY	Lion 2019/8/20	DRAW NO.	MCEGT-008	UNIT	MM	Sheet