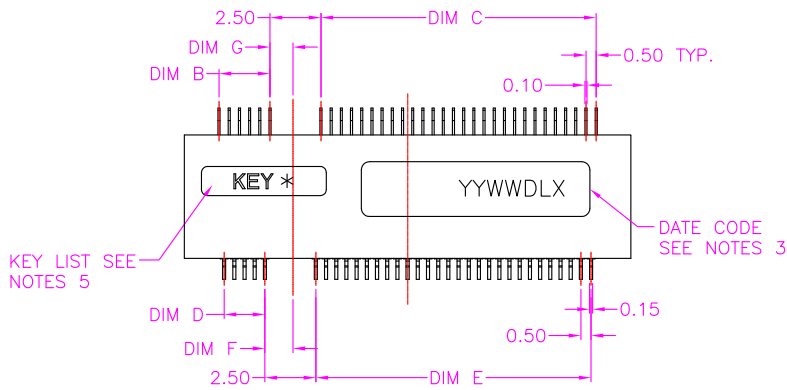


### MATERIALS

HOUSING: HI-TEMP. PLASTIC (UL 94V-0), BLACK  
 SOLDER PEG: STAINLESS STEEL, TIN PLATING  
 TERMINAL: COPPER ALLOY, GOLD PLATED

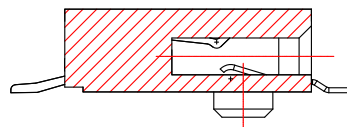
### SPECIFICATION

CURRENT RATING: 0.5 AMP MAX  
 DIELECTRIC WITHSTANDING: 300V AC FOR ONE MINUTE  
 CONTACT RESISTANCE: 55m OHMS MAX  
 INSULATION RESISTANCE: 500M OHMS MIN AT DC 500V  
 OPERATION TEMPERATURE: -40°C~+80°C



KEY LIST SEE NOTES 5

DATE CODE SEE NOTES 3



SECTION: A-A SCALE: 2:1

PART NUMBER:

MCEGT - 6 7 \* - 1 2 2 \*

SERIES

NO. OF POS.

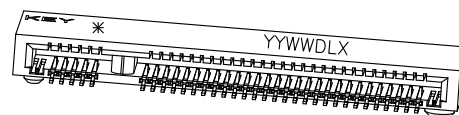
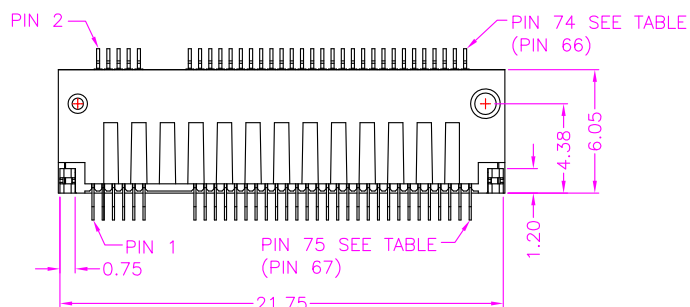
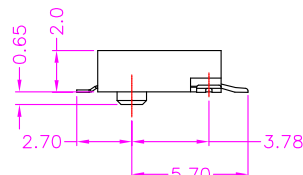
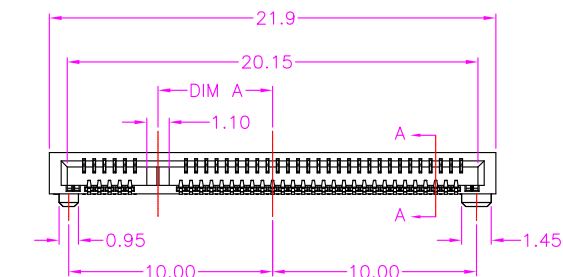
CONTACT PLATED OPTION

- 1: GOLD FLASH
- 3: 3u" GOLD
- 5: 5u" GOLD
- 6: 10u" GOLD
- 7: 15u" GOLD
- 9: 30u" GOLD

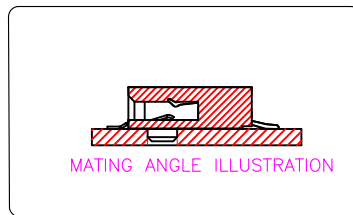
KEY TYPE OPTION

- A: A TYPE
- B: B TYPE
- C: C TYPE
- D: D TYPE
- E: E TYPE
- F: F TYPE
- G: G TYPE
- H: H TYPE
- J: J TYPE
- K: K TYPE
- L: L TYPE
- M :M TYPE

TAPE REEL



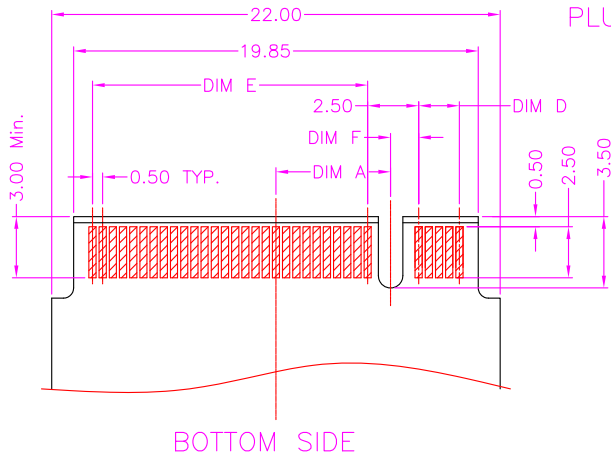
NOTE:  
 CONNECTOR ACTUAL PIN QUANTITY IS 67,  
 AS THE KEY TAKING OUT 8 PINS



MATING ANGLE ILLUSTRATION

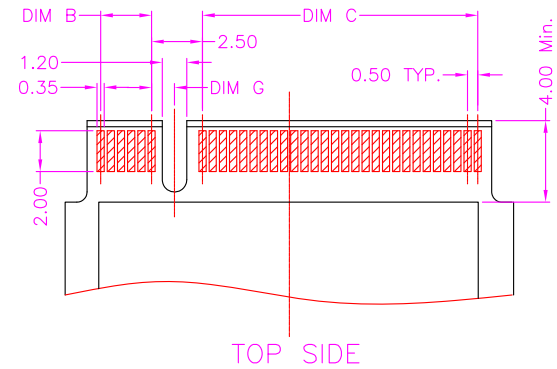
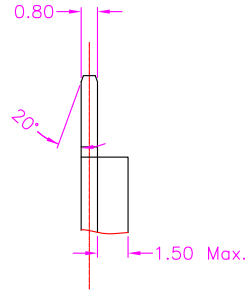
M	PIN 59-66	-6.125	14.0	2.0	14.0	1.5	1.125	1.375		
L	PIN 55-62	-5.125	13.0	3.0	13.0	2.5	1.125	1.375		
K	PIN 51-58	-4.125	12.0	4.0	12.0	3.5	1.125	1.375		
J	PIN 47-54	-3.125	11.0	5.0	11.0	4.5	1.125	1.375		
H	PIN 43-50	-2.125	10.0	6.0	10.0	5.5	1.125	1.375		
G	PIN 39-46	-1.125	9.0	7.0	9.0	6.5	1.125	1.375		
F	PIN 28-35	1.625	6.5	9.5	6.0	9.5	1.375	1.125		
E	PIN 24-31	2.625	5.5	10.5	5.0	10.5	1.375	1.125		
D	PIN 20-27	3.625	4.5	11.5	4.0	11.5	1.375	1.125		
C	PIN 16-23	4.625	3.5	12.5	3.0	12.5	1.375	1.125		
3042	40.25	B	PIN 12-19	5.625	2.5	13.5	2.0	13.5	1.375	1.125
3030	28.25	A	PIN 8-15	6.625	1.5	14.5	1.0	14.5	1.375	1.125

22110	108.25	G	PIN 39-46	-1.125	9.0	7.0	9.0	6.5	1.125	1.375
2280	78.25	F	PIN 28-35	1.625	6.5	9.5	6.0	9.5	1.375	1.125
2260	58.25	E	PIN 24-31	2.625	5.5	10.5	5.0	10.5	1.375	1.125
2242	40.25	D	PIN 20-27	3.625	4.5	11.5	4.0	11.5	1.375	1.125
2230	28.25	C	PIN 16-23	4.625	3.5	12.5	3.0	12.5	1.375	1.125
3042	40.25	B	PIN 12-19	5.625	2.5	13.5	2.0	13.5	1.375	1.125
3030	28.25	A	PIN 8-15	6.625	1.5	14.5	1.0	14.5	1.375	1.125
MODULE TYPE	DIM P	KEY ID	PAD REMOVED	DIM A	DIM B	DIM C	DIM D	DIM E	DIM F	DIM G

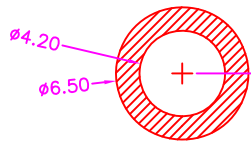
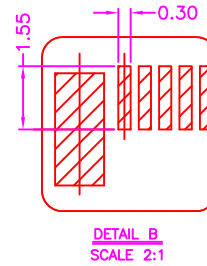
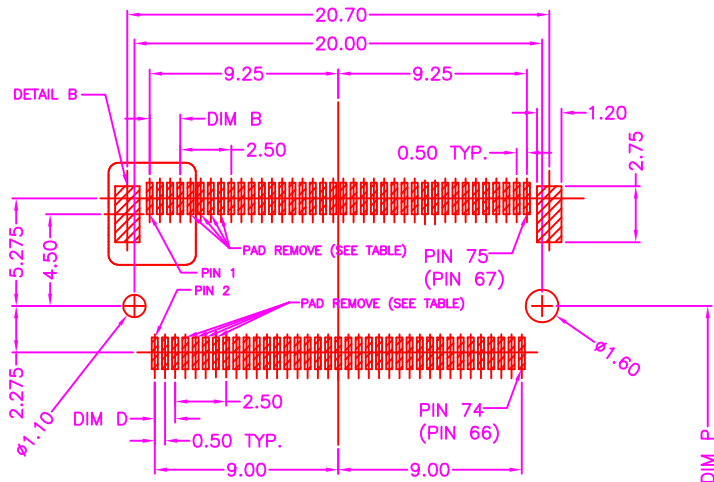


PLUG PCB

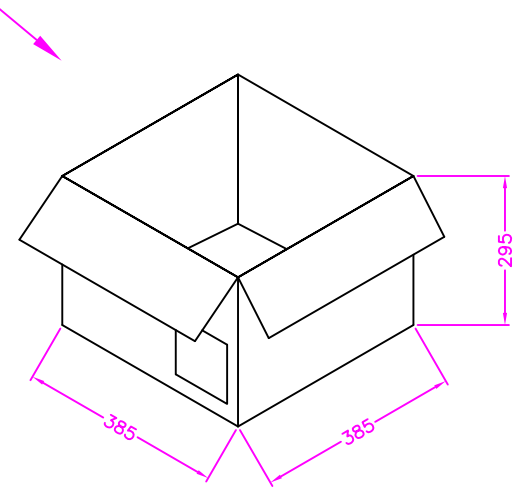
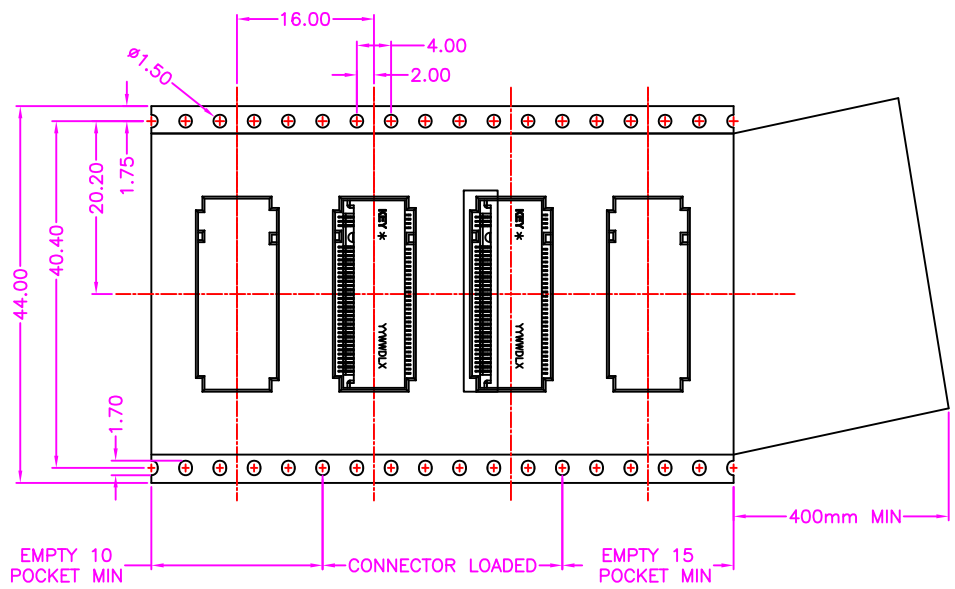
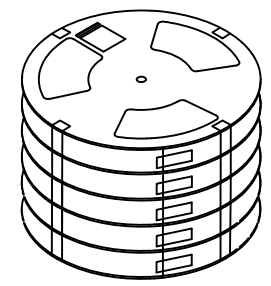
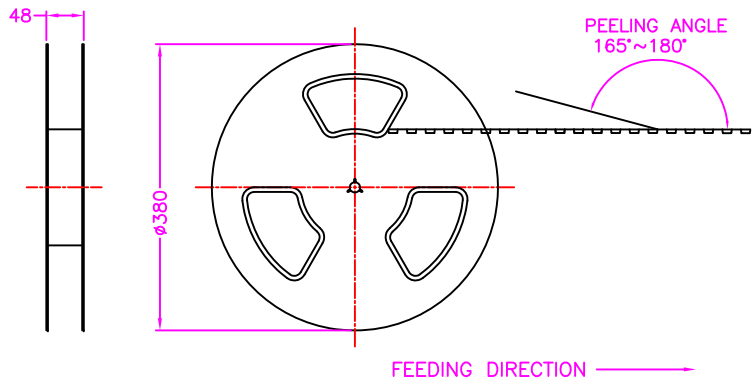
BOTTOM SIDE



TOP SIDE



P.C.B LAYOUT  
TOP VIEW ±0.05



NOTE: 1500PCS/ REEL, 7500PCS/ 5 REEL/ CARTON



TOLERANCES	
X.±0.40	.XX±0.20
.X±0.30	.XXX±0.10

REV.	A

DRAWN BY	Zhong 2018/12/5
APPROVED BY	Lion 2018/12/5

TITLE	NGFF(M.2), 0.5mm PITCH, PCB MOUNT, SMT, 1 KEY WITH PAD H=2.00mm, FEMALE				
DRAW NO.	MCEGT-002	UNIT	MM	Sheet	3/3