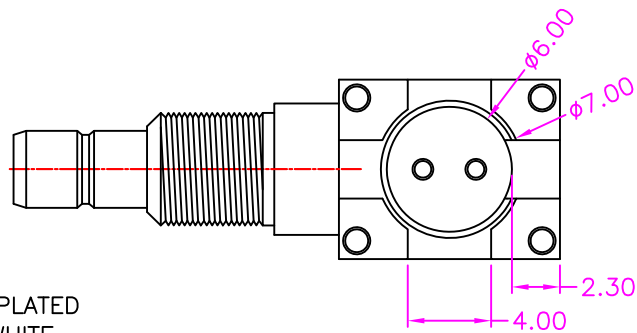


P.C.B. LAYOUT
TOP VIEW ±0.05



MATERIALS

HOUSING: COPPER ALLOY, NICKEL PLATED
 INSULATOR: TEFLON (UL 94V-0), WHITE
 CENTER CONTACT: COPPER ALLOY, GOLD PLATED

PART NUMBER:
RSBSE - 5 1 1 - 1 * 3

SERIES — 50 OHM

PACKAGE OPTION
 1: TRAY
 2: TAPE REEL
 4: BAG

1u" GOLD PLATING ON TERMINAL

A	RELEASE	2020.11.10
REV.	DESCRIPTION	DATE



TOLERANCES

X.±0.40	.XX±0.20
.X±0.30	.XXX±0.10

REV.	A	DRAWN BY	Zhong 2020/11/10	TITLE	STACKED 2x1 SMB, 50 OHM, PCB MOUNT, R/A, WITH POST, FEMALE				
		APPROVED BY	Lion 2020/11/10	DRAW NO.	RSBSE-003	UNIT	MM	Sheet	1/2

