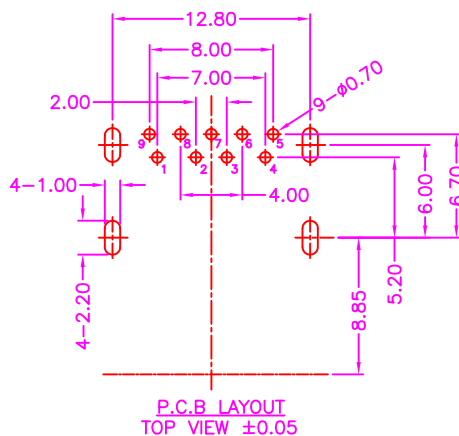
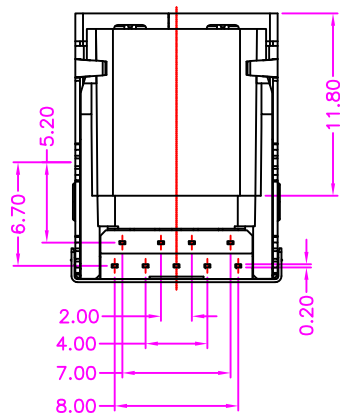
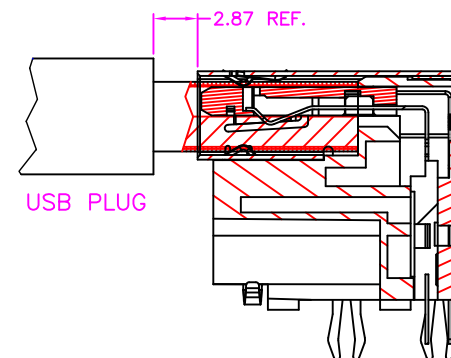
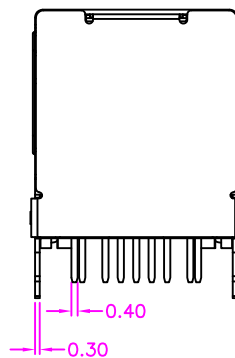
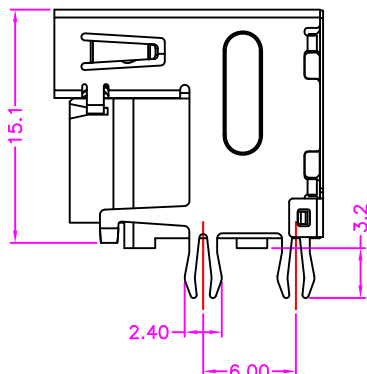
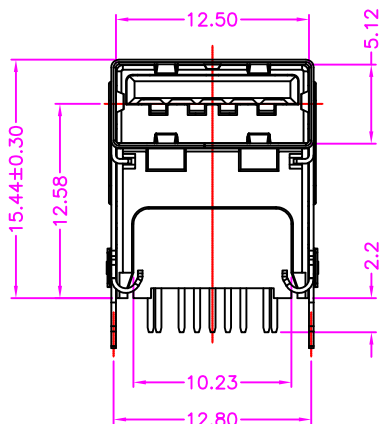
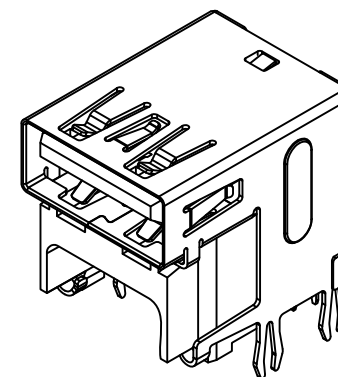


**MATERIALS**

HOUSING: THERMOPLASTIC (UL 94V-0)  
 FRONT SHELL: SUS, NICKEL PLATING  
 REAR SHELL: SUS  
 TERMINAL: COPPER ALLOY, GOLD PLATED ON CONTACT AREA  
 TIN PLATING ON SOLDER TAIL

**SPECIFICATION**

**CURRENT RATING:**  
 1.8A FOR VBUS AND GND CONTACTS  
 0.25A FOR ALL THE OTHERS CONTACTS  
**DIELECTRIC WITHSTANDING:** 100V AC FOR ONE MINUTE  
**CONTACT RESISTANCE:**  
 30m OHMS MAX INITIAL FOR VBUS AND GND CONTACTS  
 50m OHMS MAX INITIAL FOR ALL OTHER CONTACTS  
**INSULATION RESISTANCE:** 100M OHMS MIN AT DC 500V  
**OPERATION TEMPERATURE:** -40°C~+85°C



**PART NUMBER:**  
 BUSEC - 0 9 \* T - 1 1 2 \*

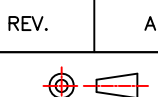
SERIES ———  
 NO. OF POS. ———  
 CONTACT PLATED OPTION ———  
 HOUSING COLOR OPTION  
 BLANK: BLACK  
 BL: BLUE  
 R: RED  
 TRAY PACKAGE  
 TIN PLATING ON SOLDER TAIL

- CONTACT PLATED OPTION
- 1: GOLD FLASH
  - 3: 3u" GOLD
  - 5: 5u" GOLD
  - 6: 10u" GOLD
  - 7: 15u" GOLD
  - 9: 30u" GOLD

PIN NUMBER	SIGNAL NAME
1	VBUS
2	D-
3	D+
4	GND
5	Std_A_SSRX-
6	Std_A_SSRX+
7	GND_DRAIN
8	Std_A_SSTX-
9	Std_A_SSTX+
Shell	SHIELD

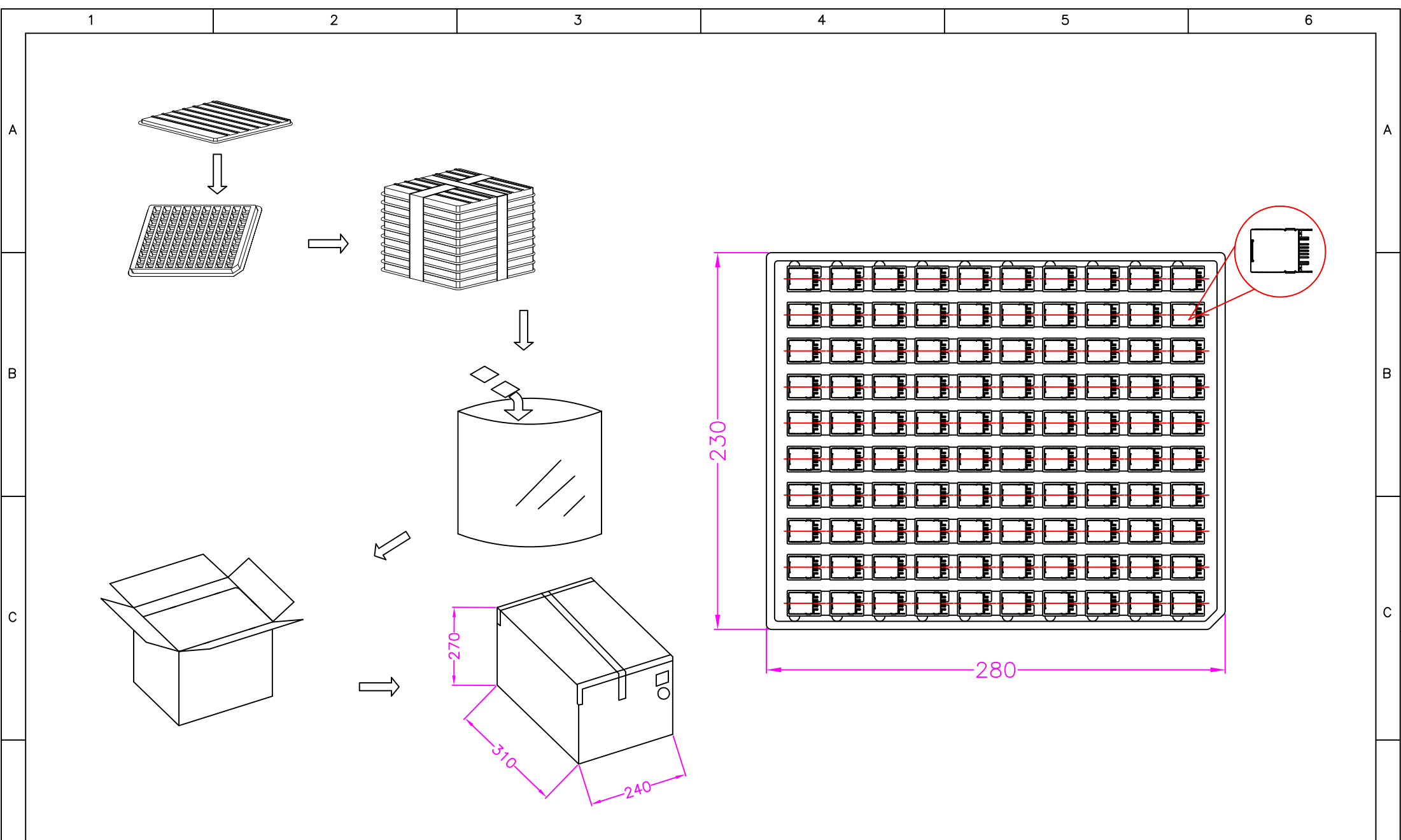


**TOLERANCES**  
 X.±0.40 .XX±0.20  
 .X±0.30 .XXX±0.10



DRAWN BY **Zhong** 2020/10/17  
 APPROVED BY **Lion** 2020/10/17

TITLE: USB 3.0 A TYPE, PCB MOUNT, R/A, METAL SHIELD, H=15.44mm, FEMALE  
 DRAW NO.: BUSEC-002  
 UNIT: MM  
 Sheet: 1/2



NOTE: 100PCS/TRAY, 1200PCS/ 12 TRAY/ CARTON



TOLERANCES  
X.±0.40 .XX±0.20  
.X±0.30 .XXX±0.10

REV. A

DRAWN BY Zhong 2020/10/17  
APPROVED BY Lion 2020/10/17

TITLE	USB 3.0 A TYPE, PCB MOUNT, R/A, METAL SHIELD, H=15.44mm, FEMALE				
DRAW NO.	BUSEC-002	UNIT	MM	Sheet	2/2