

MATERIALS

HOUSING: THERMOPLASTIC (UL 94V-0), BLUE
 SHELL: COPPER ALLOY OR SPCC, NICKEL PLATING
 MIDDLE SHELL: SUS
 TERMINAL: COPPER ALLOY, GOLD PLATED ON CONTACT AREA
 TIN PLATING ON SOLDER TAIL

SPECIFICATION

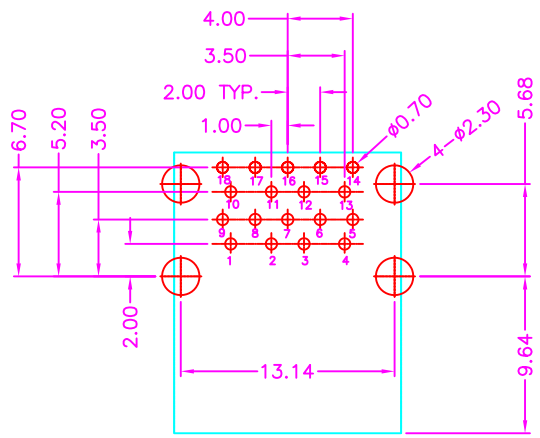
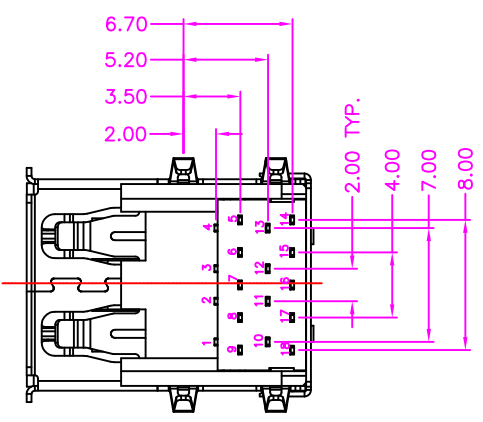
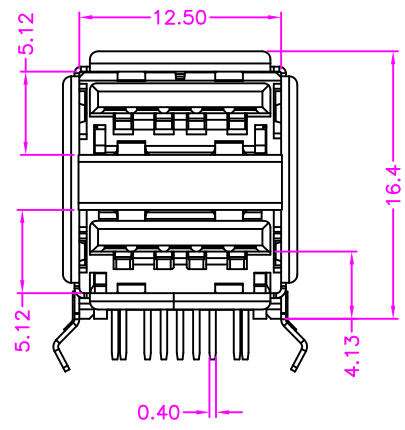
CURRENT RATING: 1.5 AMP MAX
 DIELECTRIC WITHSTANDING: 500V AC FOR ONE MINUTE
 CONTACT RESISTANCE: 30m OHMS MAX
 INSULATION RESISTANCE: 1000M OHMS MIN AT DC 500V
 OPERATION TEMPERATURE: -40°C~+85°C

PART NUMBER:
 BUSGC - 1 8 * T * - 1 1 3

SERIES — NO. OF POS. — CONTACT PLATED OPTION — SHELL MATERIAL OPTION
 TRAY PACKAGE — TIN PLATING ON SOLDER TAIL

BLANK: COPPER ALLOY
 P: SPCC

1: GOLD FLASH
 3: 3u" GOLD
 5: 5u" GOLD
 6: 10u" GOLD
 7: 15u" GOLD
 9: 30u" GOLD



P.C.B LAYOUT
 TOP VIEW ±0.05

PIN NUMBER	SIGNAL NAME
1,10	VBUS
2,11	D-
3,12	D+
4,13	GND
5,14	StdA_SSRX-
6,15	StdA_SSRX+
7,16	GND_DRAIN
8,17	StdA_SSTX-
9,18	StdA_SSTX+
Shell	Shield



TOLERANCES
 X.±0.40 .XX±0.20
 .X±0.30 .XXX±0.10

REV. A

DRAWN BY Zhong 2020/7/27
 APPROVED BY Lion 2020/7/27

TITLE STACKED 2x1 USB 3.0 A TYPE, PCB MOUNT, R/A, METAL SHIELD, FEMALE
 DRAW NO. BUSGC-003 UNIT MM Sheet 1/1