

MATERIALS

HOUSING: HI-TEMP. PLASTIC (UL 94V-0)
 SHELL: COPPER ALLOY, NICKEL PLATING
 TERMINAL: COPPER ALLOY, GOLD PLATED ON CONTACT AREA
 TIN PLATING ON SOLDER TAIL

SPECIFICATION

CURRENT RATING: 0.5 AMP MAX
 DIELECTRIC WITHSTANDING: 500V AC FOR ONE MINUTE
 CONTACT RESISTANCE: 30m OHMS MAX
 INSULATION RESISTANCE: 100M OHMS MIN AT DC 500V
 OPERATION TEMPERATURE: -40°C~+85°C

PART NUMBER:

BHDDA - 1 9 * T - 1 1 2

SERIES

NO. OF POS.

CONTACT PLATED OPTION

TRAY PACKAGE

TIN PLATING ON SOLDER TAIL

- 1: GOLD FLASH
- 3: 3u" GOLD
- 5: 5u" GOLD
- 7: 15u" GOLD
- 9: 30u" GOLD



TOLERANCES	
X.±0.40	.XX±0.20
.X±0.30	.XXX±0.10

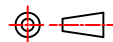
REV.

A

DRAWN BY Frank 2021/1/7

TITLE

HDMI, PCB MOUNT, UPRIGHT, METAL SHIELD WITH POST, FEMALE



APPROVED BY Lion 2021/1/7

DRAW NO.

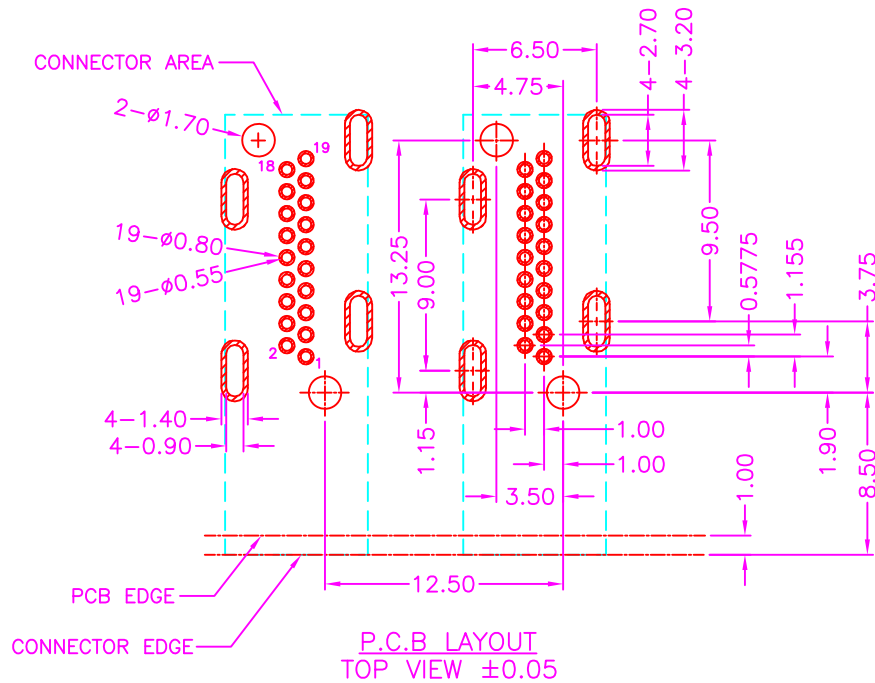
BHDDA-002

UNIT

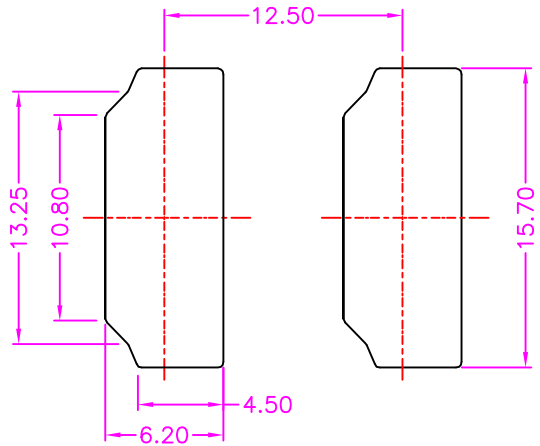
MM

Sheet

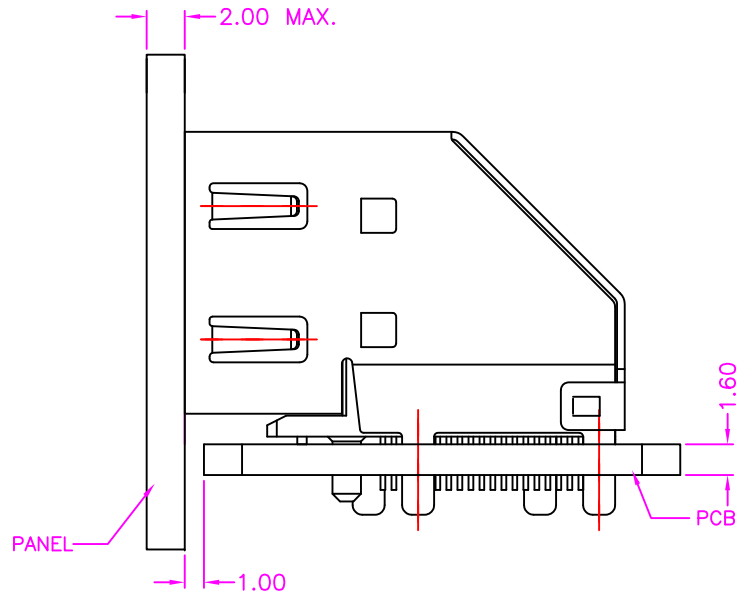
1/2



P.C.B. LAYOUT
TOP VIEW ±0.05



REFERENCE PANEL CUT OUT DIMENSION



INSTALLED CONDITION