

**MATERIALS**

HOUSING: LCP (UL 94V-0), BLACK  
 SHELL: SPCC, NICKEL PLATING  
 TERMINAL: COPPER ALLOY, GOLD PLATED ON CONTACT AREA  
 TIN PLATING ON SOLDER TAIL

**SPECIFICATION**

CURRENT RATING: 0.5 AMP MAX  
 DIELECTRIC WITHSTANDING: 500V AC FOR ONE MINUTE  
 CONTACT RESISTANCE: 30m OHMS MAX  
 INSULATION RESISTANCE: 100M OHMS MIN AT DC 500V  
 OPERATION TEMPERATURE: -40°C~+85°C

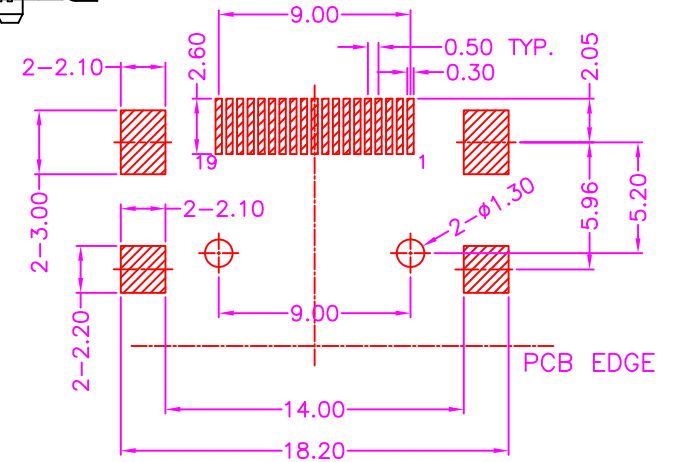
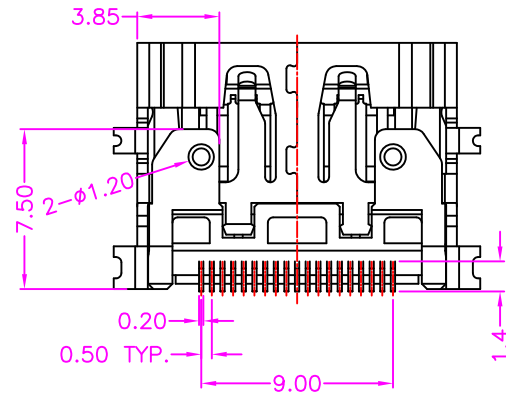
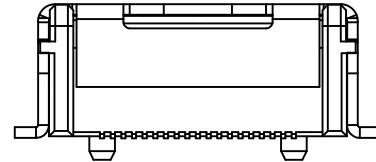
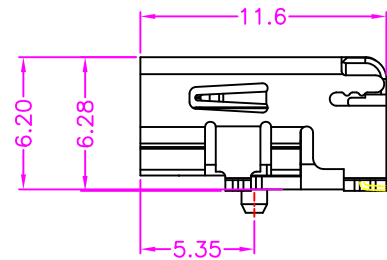
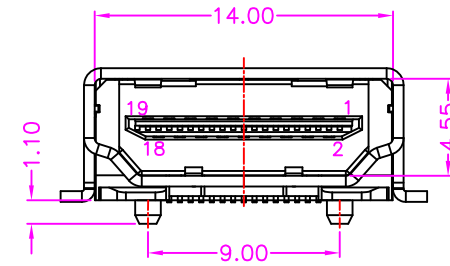
**PART NUMBER:**

BHDBE - 1 9 \* T - 1 2 1

SERIES — NO. OF POS. — CONTACT PLATED OPTION — TIN PLATING ON SOLDER TAIL — TAPE REEL PACKAGE

**CONTACT PLATED OPTION**

- 1: GOLD FLASH
- 3: 3u" GOLD
- 5: 5u" GOLD
- 7: 15u" GOLD
- 9: 30u" GOLD

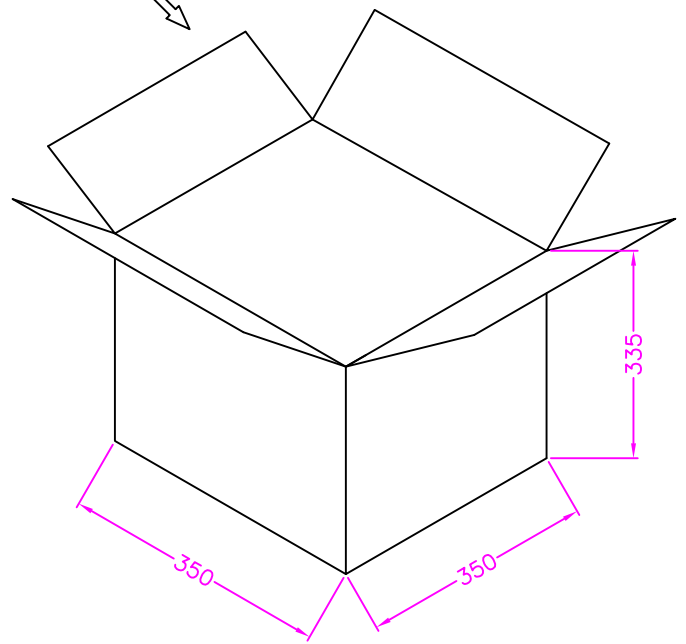
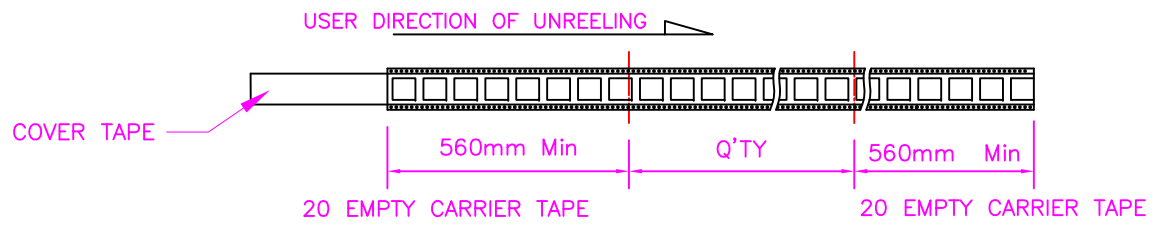
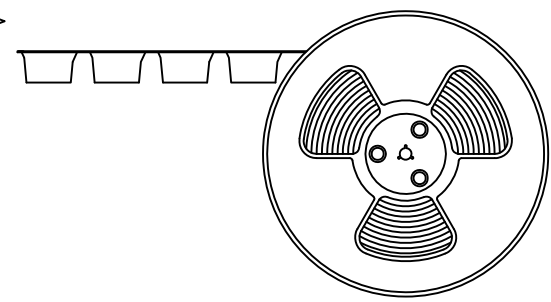
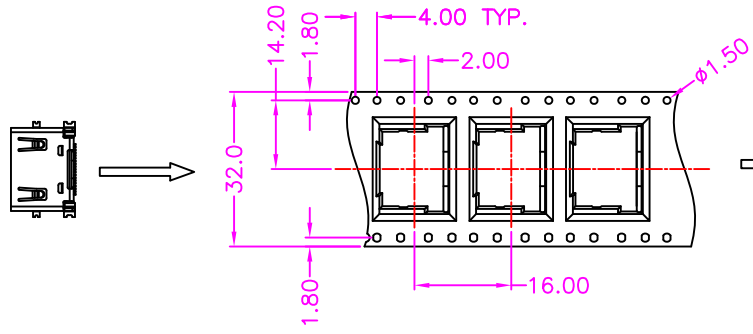


P.C.B LAYOUT  
 TOP VIEW ±0.05



TOLERANCES	
X.±0.40	.XX±0.20
.X±0.30	.XXX±0.10

REV.	A	DRAWN BY	Frank 2020/5/26	TITLE	HDMI, PCB MOUNT, SMT, METAL SHIELD WITH POST, FEMALE				
		APPROVED BY	Lion 2020/5/26	DRAW NO.	BHDBE-001	UNIT	MM	Sheet	1/2



NOTE: 400PCS/ REEL, 4000PCS/ 10 REEL/ CARTON



TOLERANCES	
X.±0.40	.XX±0.20
.X±0.30	.XXX±0.10

REV.	A	DRAWN BY	Frank 2020/5/26
		APPROVED BY	Lion 2020/5/26

TITLE	HDMI, PCB MOUNT, SMT, METAL SHIELD WITH POST, FEMALE				
DRAW NO.	BHDBE-001	UNIT	MM	Sheet	2/2