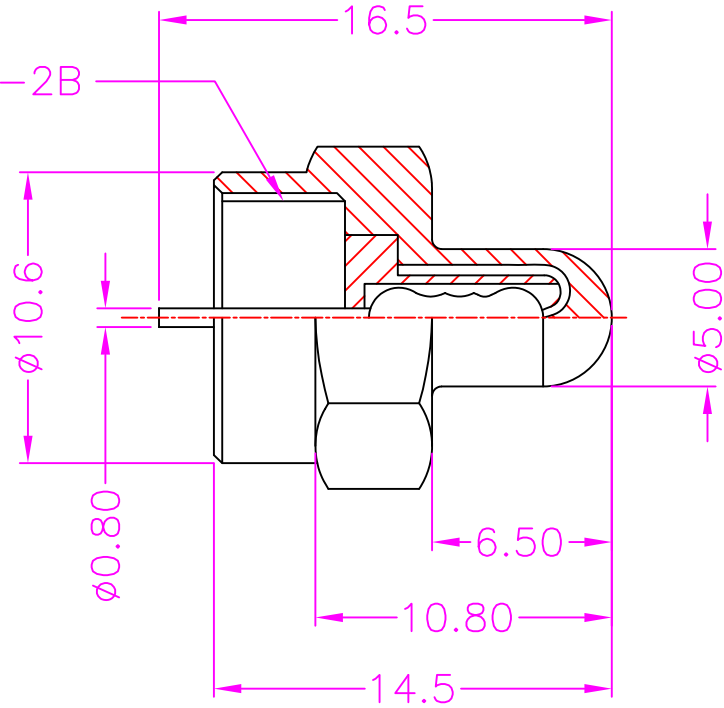


3/8-24 UNEF-2B



MATERIALS

INSULATOR: POM (UL 94V-0), WHITE
 SHELL: COPPER ALLOY, NICKEL PLATING
 TERMINAL: COPPER ALLOY, NICKEL PLATING

SPECIFICATION

FREQUENCY RANGE: DC-3 GHz
 RETURN LOSS: 30 dB AT 1 GHz
 OPERATION TEMPERATURE: -40°C~+105°C

PART NUMBER:

RFTAA - 7 T 6 - 2 * 1

SERIES

75 OHM

PACKAGE OPTION

- 1: TRAY
- 4: BAG

TIN PLATING ON TERMINAL

B	MODIFY SHELL DIM.	2020.6.17
A	RELEASE	2020.4.26
REV.	DESCRIPTION	DATE



TOLERANCES	
X.±0.40	.XX±0.20
.X±0.30	.XXX±0.10

REV.	B	DRAWN BY	Simon 2020/4/26	TITLE	F TYPE, VERTICAL, TERMINATOR CAP, 75 OHM, MALE				
		APPROVED BY	Lion 2020/4/26	DRAW NO.	RFTAA-001	UNIT	MM	Sheet	1/1