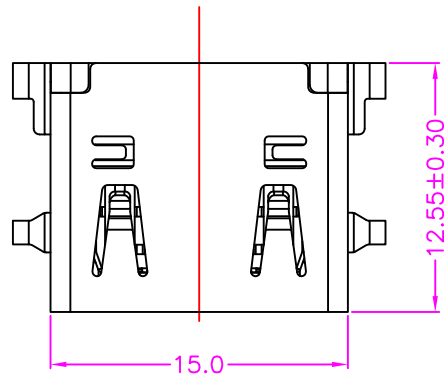


A



**MATERIALS**

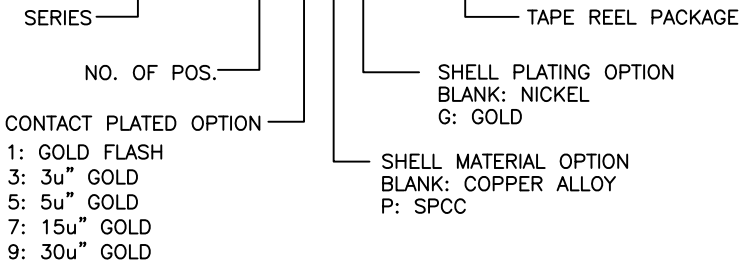
HOUSING: HI-TEMP. PLASTIC (UL 94V-0)  
 SHELL: COPPER ALLOY OR SPCC, NICKEL PLATING  
 TERMINAL: COPPER ALLOY, GOLD PLATED

**SPECIFICATION**

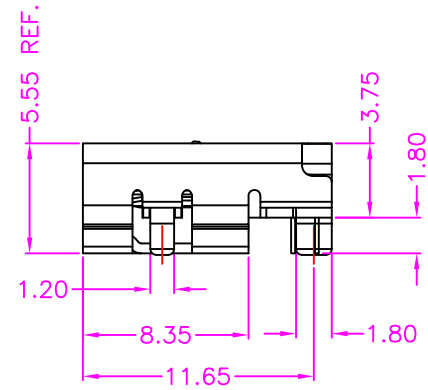
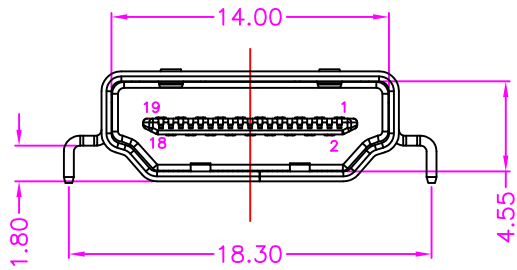
CURRENT RATING: 0.5 AMP MAX  
 DIELECTRIC WITHSTANDING: 500V AC FOR ONE MINUTE  
 CONTACT RESISTANCE: 100m OHMS MAX  
 INSULATION RESISTANCE: 1000M OHMS MIN AT DC 500V  
 OPERATION TEMPERATURE: -40°C~+85°C

**PART NUMBER:**

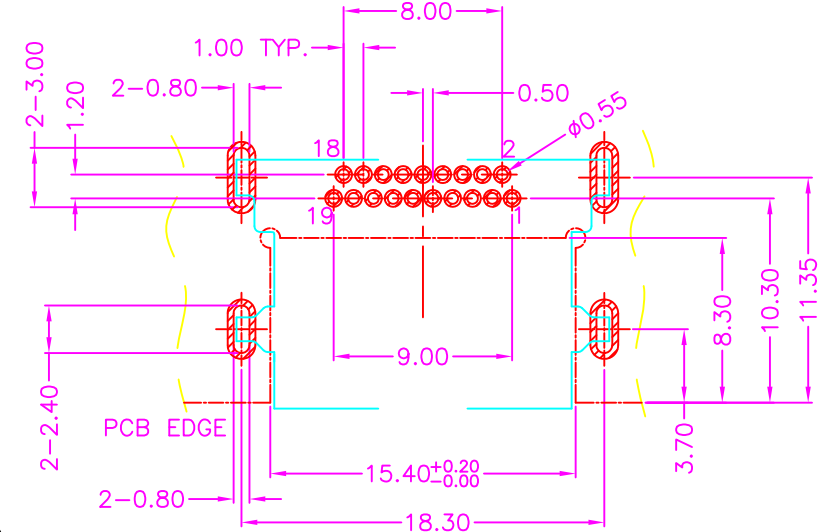
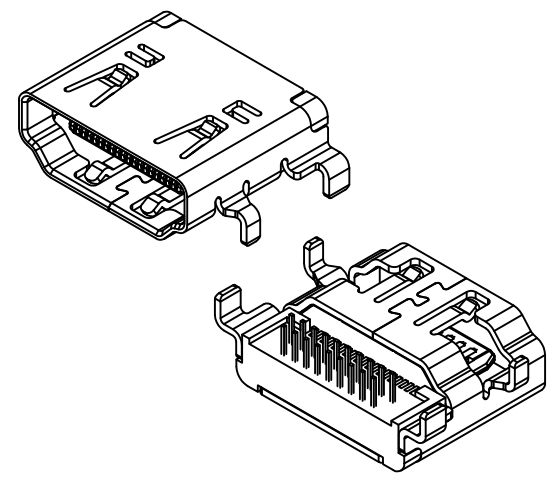
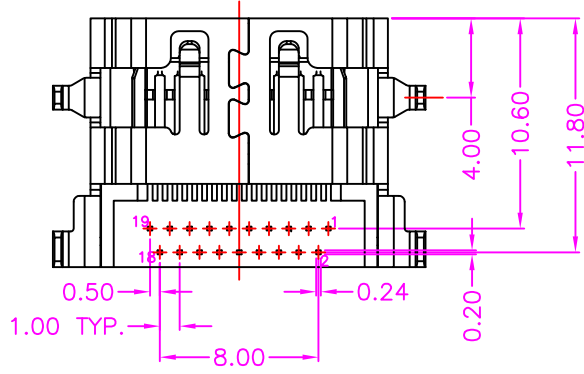
BHDCF - 1 9 \* \* \* - 1 2 2



B



C



P.C.B. LAYOUT  
 TOP VIEW ±0.05

D

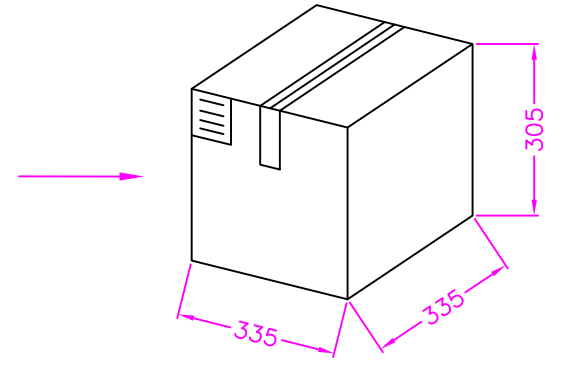
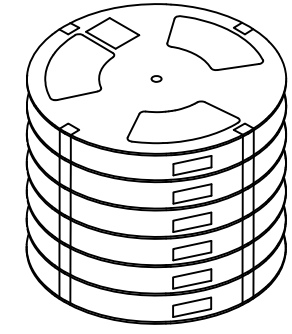
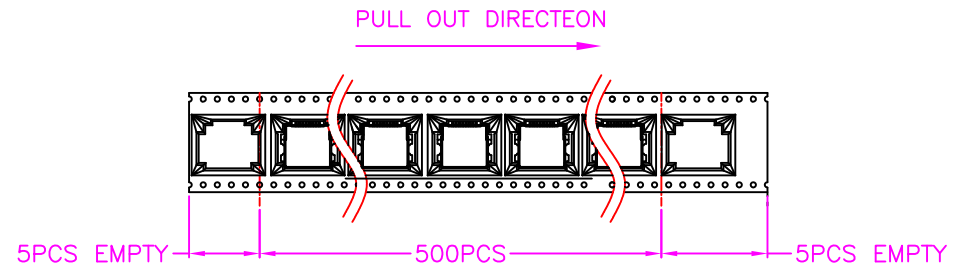
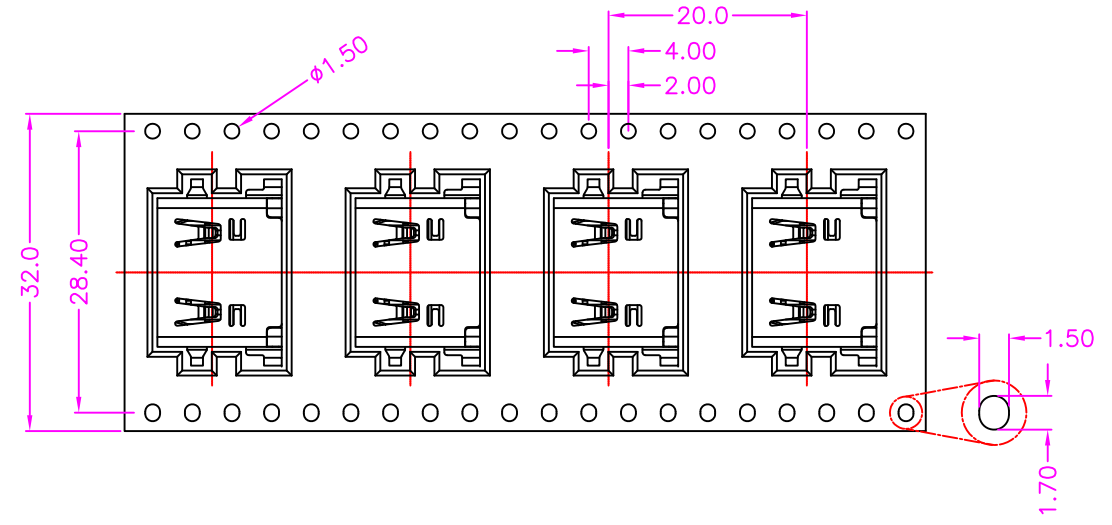
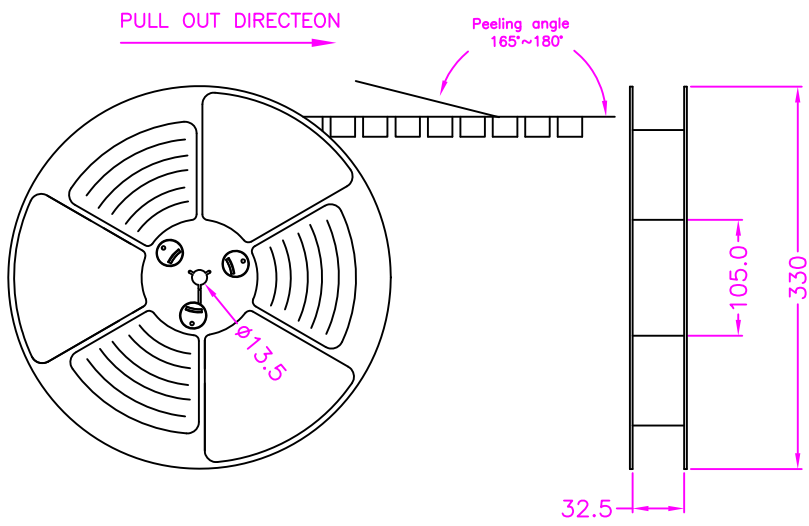


**TOLERANCES**

X.±0.40	.XX±0.20
.X±0.30	.XXX±0.10

REV.	A	DRAWN BY	Zhong 2020/8/24	TITLE	HDMI, PCB MID MOUNT, R/A, METAL SHIELD, FEMALE				
		APPROVED BY	Lion 2020/8/24	DRAW NO.	BHDCF-002	UNIT	MM	Sheet	1/2

BHDCF-002	UNIT	MM	Sheet	1/2
-----------	------	----	-------	-----



NOTE: 500PCS/ REEL, 5000PCS/ 10 REEL/ CARTON



TOLERANCES	
X.±0.40	.XX±0.20
.X±0.30	.XXX±0.10

REV.	A	DRAWN BY	Zhong 2020/8/24	TITLE	HDMI, PCB MID MOUNT, R/A, METAL SHIELD, FEMALE				
		APPROVED BY	Lion 2020/8/24	DRAW NO.	BHDCF-002	UNIT	MM	Sheet	2/2

HDMI, PCB MID MOUNT, R/A, METAL SHIELD, FEMALE				
BHDCF-002	UNIT	MM	Sheet	2/2