

MATERIALS

HOUSING: TEFLON (UL 94V-0), WHITE
 SHELL: COPPER ALLOY, GOLD PLATING
 TERMINAL: COPPER ALLOY, GOLD PLATED

SPECIFICATION

FREQUENCY RANGE: DC-6 GHz
 VSWR: 1.50 MAX.
 OPERATION TEMPERATURE: -40°C~+105°C

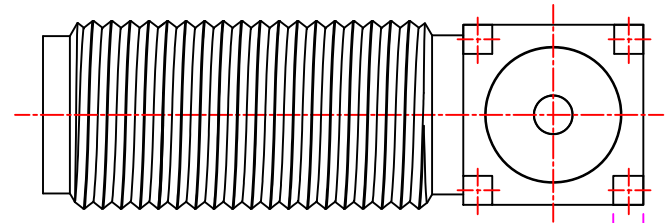
PART NUMBER:

RSABE - 5 * 1 - 1 * B

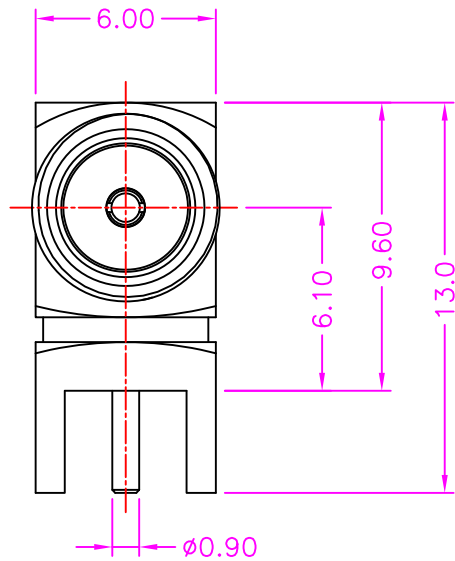
SERIES — 50 OHM
 PACKAGE OPTION
 1: TRAY
 4: BAG

CONTACT PLATED OPTION

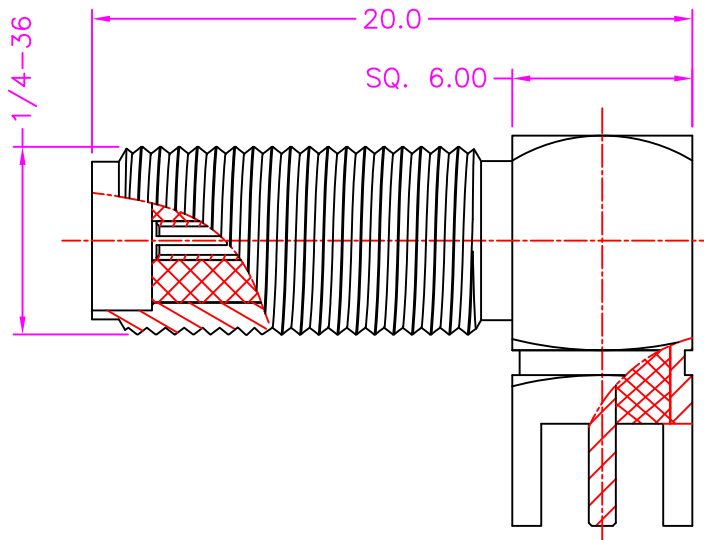
- 1: GOLD FLASH
- 3: 3u" GOLD
- 5: 5u" GOLD
- 6: 10u" GOLD
- 9: 30u" GOLD



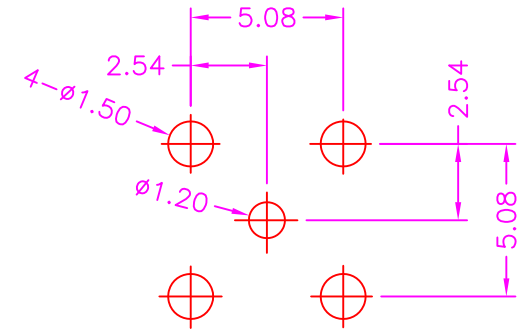
SQ. 4-1.00



1/4-36 UNS



SQ. 6.00



P.C.B LAYOUT
 TOP VIEW ±0.05