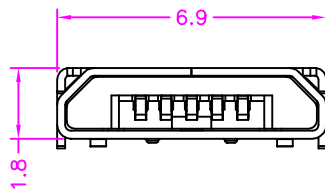
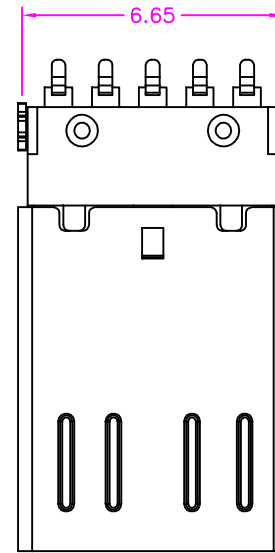
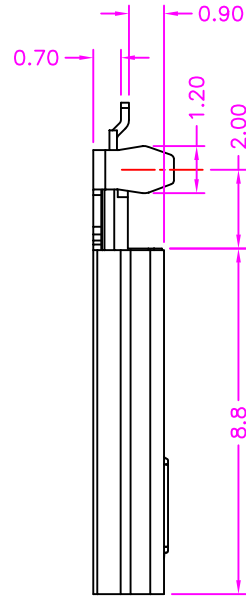
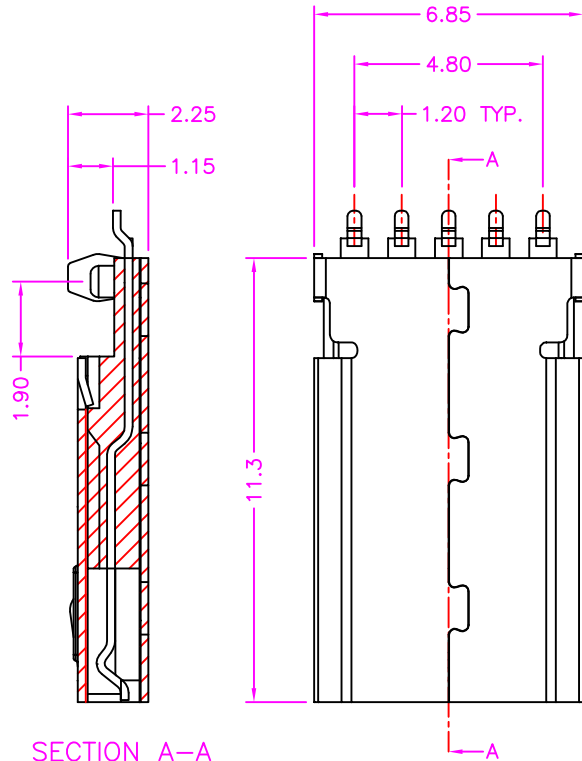


**MATERIALS**

HOUSING: HI-TEMP. PLASTIC (UL 94V-0)  
 SHELL: STAINLESS STEEL, NICKEL PLATING  
 TERMINAL: COPPER ALLOY, GOLD PLATING ON CONTACT AREA  
 TIN PLATING ON SOLDER TAIL

**SPECIFICATION**

CURRENT RATING: 1.8 AMP MAX (ONLY PIN 1, 5), OTHER 1 AMP MAX  
 DIELECTRIC WITHSTANDING: 100V AC FOR ONE MINUTE  
 CONTACT RESISTANCE: 30m OHMS MAX  
 INSULATION RESISTANCE: 100M OHMS MIN AT DC 500V  
 OPERATION TEMPERATURE: -40°C~+105°C



PART NUMBER:  
**BUSTD - 0 5 \* - 2 \* 3**

SERIES ——— NO. OF POS. ——— PACKAGE OPTION  
 2: TAPE REEL  
 3: TUBE

CONTACT PLATED OPTION  
 1: GOLD FLASH  
 3: 3u" GOLD  
 5: 5u" GOLD  
 7: 15u" GOLD  
 9: 30u" GOLD

