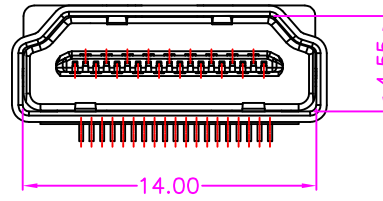
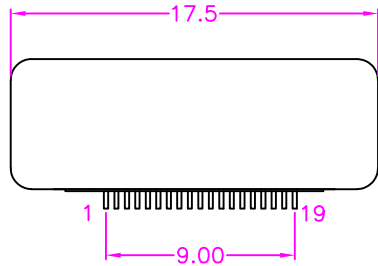


MATERIALS

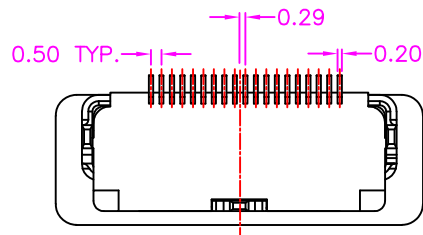
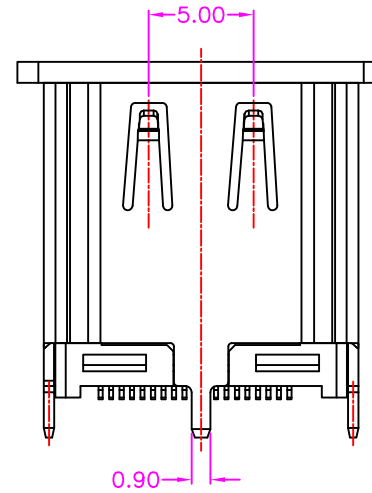
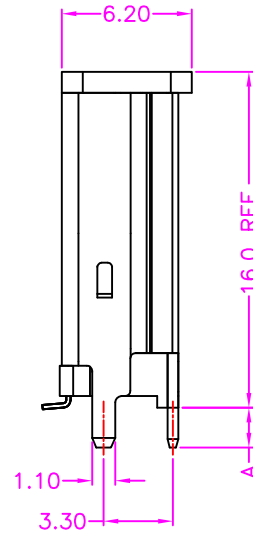
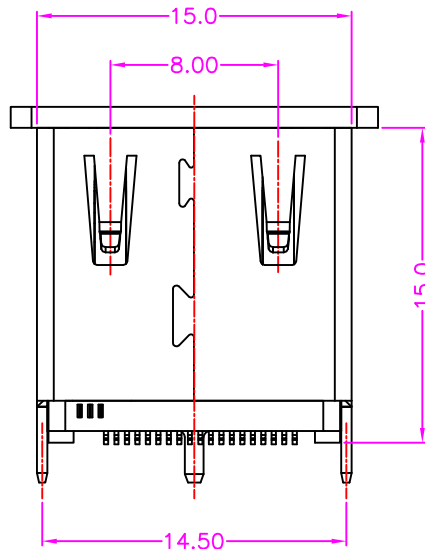
HOUSING: LCP (UL 94V-0), BLACK
 CAP: LCP (UL 94V-0), BLACK
 SHELL: COPPER ALLOY, NICKEL PLATING
 TERMINAL: COPPER ALLOY, GOLD PLATED

SPECIFICATION

CURRENT RATING: 0.5 AMP MAX
 DIELECTRIC WITHSTANDING: 500V AC FOR ONE MINUTE
 CONTACT RESISTANCE: 30m OHMS MAX
 INSULATION RESISTANCE: 100M OHMS MIN AT DC 500V
 OPERATION TEMPERATURE: -40°C~+85°C



WITHOUT CAP



PART NUMBER:

BHDEA - 1 9 * - 1 * 2 *

SERIES

NO. OF POS.

CONTACT PLATED OPTION

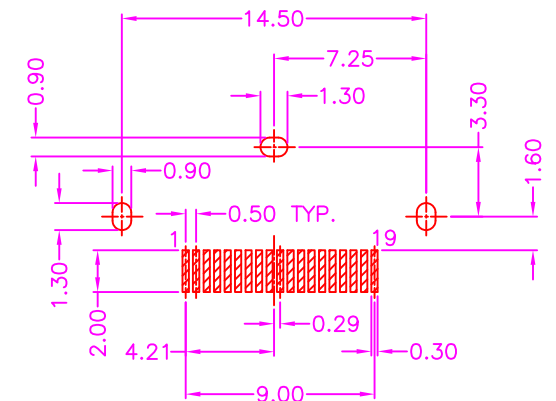
- 1: GOLD FLASH
- 3: 3u" GOLD
- 5: 5u" GOLD
- 7: 15u" GOLD
- 9: 30u" GOLD

"A" LENGTH OPTION

- A: 1.00mm
- B: 1.90mm

PACKAGE OPTION

- 1: TRAY
- 2: TAPE REEL



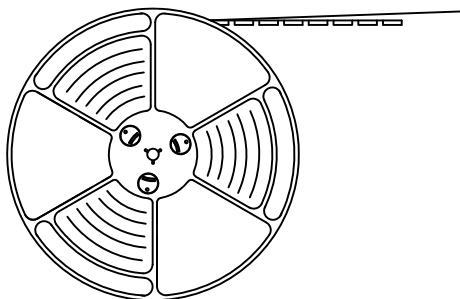
P.C.B. LAYOUT
TOP VIEW ±0.05

1 2 3 4 5 6

A

A

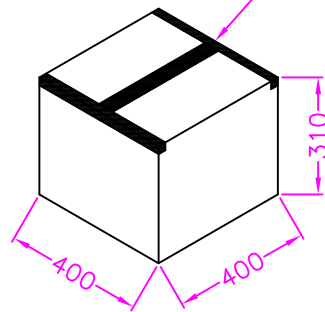
PULL OUT DIRECTION



B

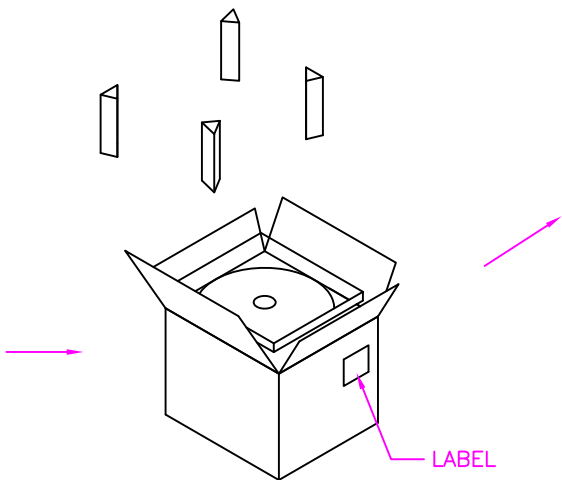
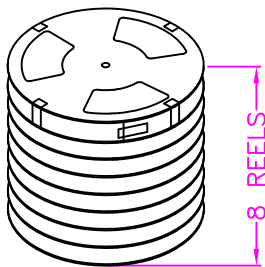
B

TAPE



C

C



LABEL

D

D

NOTE: 200PCS/ REEL, 1600PCS/ 8 REEL/CARTON

Z **ZICONN**
ELECTRONIC CO., LTD.
WWW.ZICONN.COM 886-3-4687695

TOLERANCES	
X.±0.40	.XX±0.20
.X±0.30	.XXX±0.10

REV.	A	DRAWN BY	Frank 2020/5/20
		APPROVED BY	Lion 2020/5/20

TITLE	HDMI, PCB MOUNT, VERTICAL SMT, METAL SHIELD, FEMALE				
DRAW NO.	BHDEA-002	UNIT	MM	Sheet	2/2

1 2 3 4 5 6