

MATERIALS

HOUSING: TEFLON (UL 94V-0), WHITE
 SHELL: ZINC ALLOY, GOLD PLATING
 TERMINAL: COPPER ALLOY, GOLD PLATED

PART NUMBER:

RSABE - 5 * 1 - 1 1 3

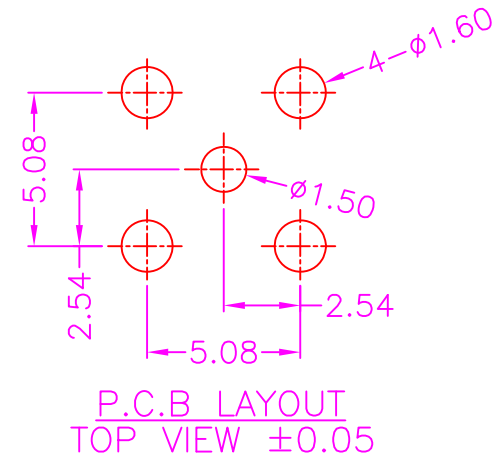
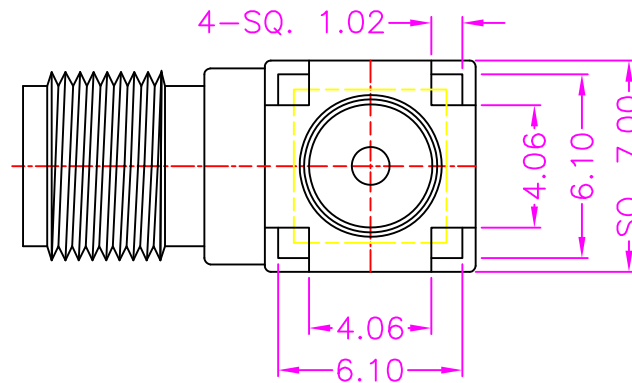
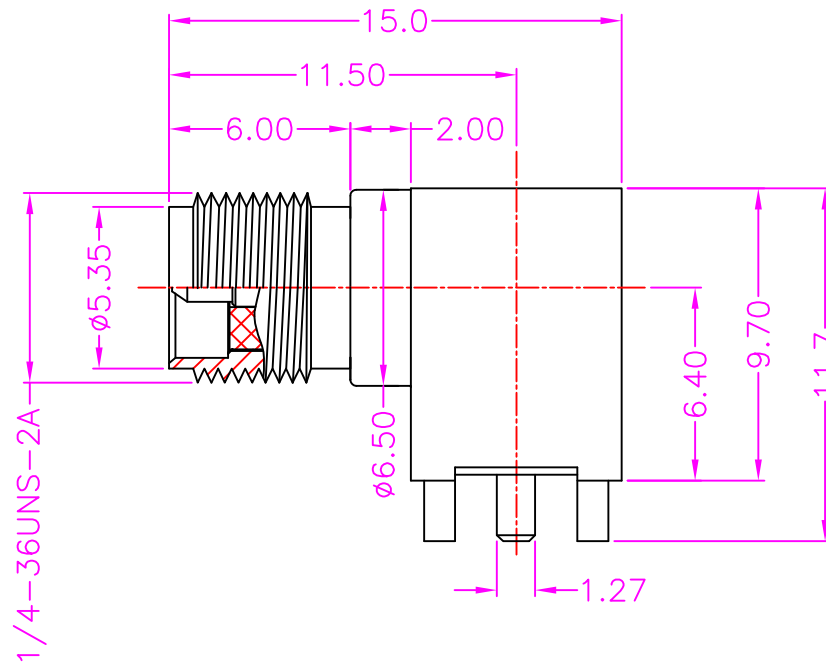
SERIES

50 OHM

TRAY PACKAGE

CONTACT PLATED OPTION

- 1: GOLD FLASH
- 3: 3u" GOLD
- 5: 5u" GOLD
- 6: 10u" GOLD
- 9: 30u" GOLD



B	MODIFY SHELL DIM.	2020.4.21
A	RELEASE	2018.7.23
REV.	DESCRIPTION	DATE



TOLERANCES

X.±0.40	.XX±0.20
.X±0.30	.XXX±0.10

REV.	B	DRAWN BY	Zhong 2018/7/23	TITLE	SMA, PCB MOUNT, R/A, WITH POST FEMALE				
		APPROVED BY	Lion 2018/7/23	DRAW NO.	RSABE-003	UNIT	MM	Sheet	1/1